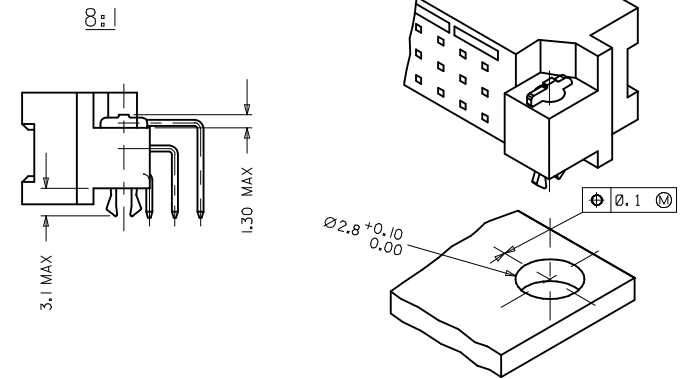


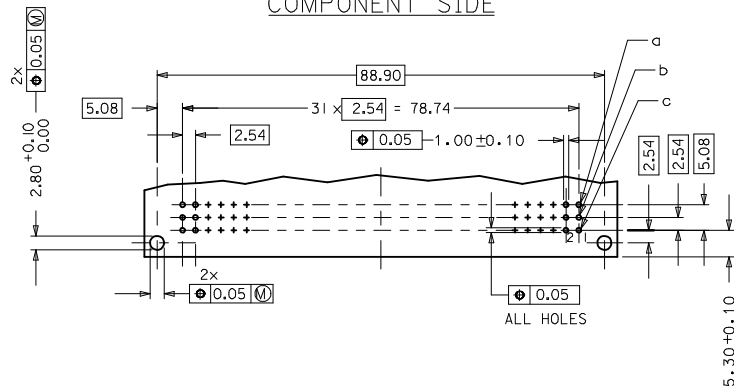
WITH MOUNTING CLIPS



NOTES:

- 1) MATERIAL : THERMOPLASTIC POLYESTER, GLASS FILLED
UL94 V-0, COLOR : PEBBLE GREY RAL 7032
TERMINAL - BRASS
MOUNTING CLIP : STEEL
- 2) FINISH : TERMINAL CONTACT AREA
1) PERFORMANCE LEVEL 3: SELECTIVE GOLD (Au), THICKNESS = 0.3 MICROMETER
OVER NICKEL, THICKNESS = 1.25 MICROMETER
TERMINATION AREA:
SELECTIVE TIN, THICKNESS = 2.5 MICROMETER
OVER NICKEL, THICKNESS = 1.25 MICROMETER OVERALL
- 3) MOUNTING CLIP :
TIN (Sn), THICKNESS = 5-10 MICROMETER
OVER NICKEL (Ni) THICKNESS = 2.5 MICROMETER
- 4) FOR NON MOUNTING CLIP OPTION, CONNECTOR TO BE SECURED WITH
RIVETS : 2 TUBULAR RIVETS 2.5 X 0.3 ... DIN 7340
SCREWS : 2 CHEESEHEAD SCREWS M2.5 X ... DIN 84 AND HEXAGONAL NUTS M2.5 DIN 934
- 5) MATERIAL NUMBER, BATCH CODE, UL AND CSA MARKING TO BE PRINTED ON THE CONNECTOR
- 6) CUT FACE OF TIP WITHOUT PLATING PERMITTED
- 7) PRODUCT SPECIFICATION PS: 36502-001

RECOMMENDED PCB LAYOUT
COMPONENT SIDE

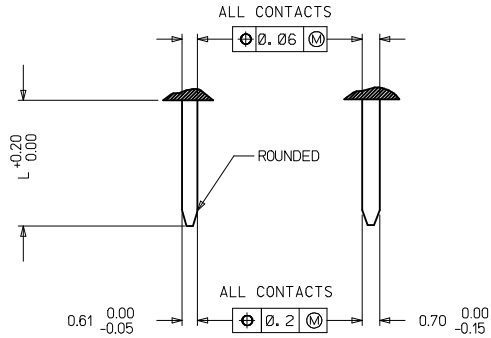


RoHS COMPLIANT

EC NO: I2009-0311 DRW: NPJT 2009/02/02 CHK: DMR HARS 2009/02/02 APPR: SPANDI 2009/02/03	QUALITY SYMBOLS ▼ 0 ▼ - 0	GENERAL TOLERANCES (UNLESS SPECIFIED)		SCALE 1:1	DESIGN UNITS METRIC	THIRD ANGLE PROJECTION	REVISE ON CAD ONLY	
		4 PLACES ± --- ± --- 3 PLACES ± --- ± --- 2 PLACES ± 0.15 ± --- 1 PLACE ± 0.2 ± ---	mm INCH	DIMENSION STYLE MM ONLY	DRAWN BY SHIVA DATE 2004/05/17 CHECKED BY KPRASAD DATE 2004/05/17 APPROVED BY DATHA DATE 2004/05/17	TITLE ASSEMBLY, DIN 41612 C MALE, 96 POS CODING	MATERIAL NO. MOLEX 36504-0049 DOCUMENT NO. SD-36504-004	SHEET NO. 1 OF 2
B2	DRAFT WHERE APPLICABLE MUST REMAIN WITHIN DIMENSIONS	THIS DRAWING CONTAINS INFORMATION THAT IS PROPRIETARY TO MOLEX INCORPORATED AND SHOULD NOT BE USED WITHOUT WRITTEN PERMISSION						A1

20	19	18	17	16	15	14	13	12	11	10	9	8	7	6	5	4	3	2	1
MATERIAL NUMBER	PERF LEVEL	PLATING	STD. CONTACT SEQUENCE/ROW	PREMATING CONTACT POS.	MOUNTING CLIP														
36504-0049	3	Au+Ni	a2-31, b1-32, c2-31	a1, a32, c1, c32	YES														

DETAILY DETAILX



PRE MATING CONTACTS	5.4
NORMAL CONTACTS	4.8
	L

RoHS COMPLIANT

EC NO: 12009-0311 DRAWN BY: DRWNPJT 2009/02/02 CHKD BY: HARSR 2009/02/02 APPR: SPANDI 2009/02/03	QUALITY SYMBOLS ▽ 0 ▽ -0	GENERAL TOLERANCES (UNLESS SPECIFIED)		SCALE 1:1	DESIGN UNITS METRIC	THIRD ANGLE PROJECTION	REVISE ON CAD ONLY
		4 PLACES ± 0.15	3 PLACES ± 0.2	mm	INCH	DIMENSION STYLE MM ONLY	
B2	DESCRIPTION	DRAFT WHERE APPLICABLE MUST REMAIN WITHIN DIMENSIONS		DRAWN BY SHIVA	DATE 2004/05/17	MATERIAL NO. 36504-0049	
				CHECKED BY KPRASAD	DATE 2004/05/17	DOCUMENT NO. SD-36504-004	
				APPROVED BY DATHA	DATE 2004/05/17	SHEET NO. 2 OF 2	
THIS DRAWING CONTAINS INFORMATION THAT IS PROPRIETARY TO MOLEX INCORPORATED AND SHOULD NOT BE USED WITHOUT WRITTEN PERMISSION							