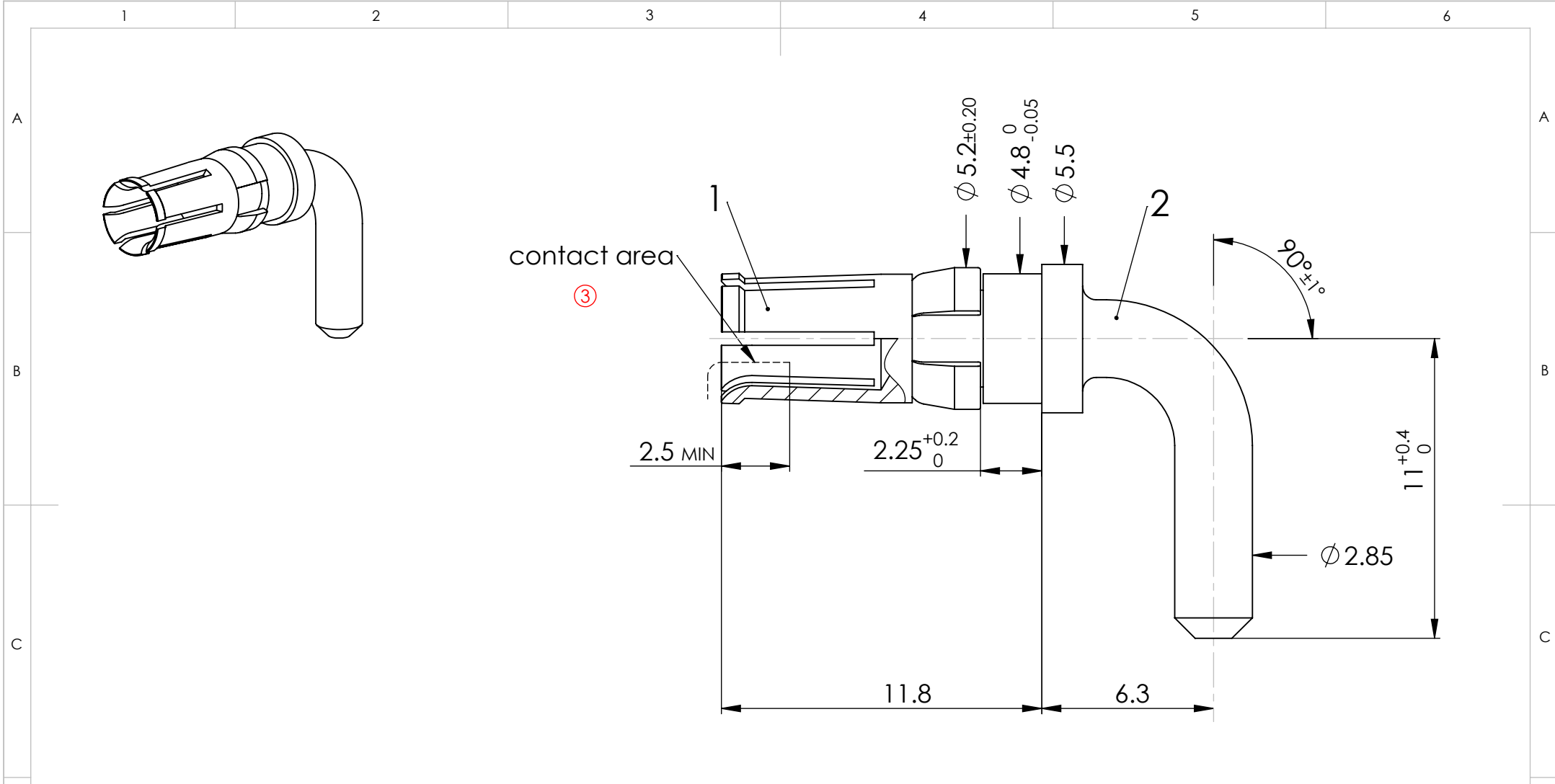


COMMENT:
 ALL RIGHTS ARE RESERVED BY US FOR THIS DRAWING. WITHOUT OUR PRIOR CONSENT,
 IT MAY NEITHER BE DUPLICATED NOR MADE AVAILABLE TO A THIRD PARTY,
 AND IT ALSO MAY NOT BE IMPROPERLY USED BY THE RECEIVER, OR A THIRD PARTY.



CURRENT	20 A	HIGH POWER CONTACT	SCALE	5:1	DATA SHEET	②
FOR	D-Sub		NAME / DATE			
DIMENSIONS IN MM		DRAWN	DBocan 02-09-2003		PART NO. FMP008S	REV. 4
MATERIAL + FINISH SEE EXTRA SHEET		CHECKED	sschref 20-10-2010			
UNLESS OTHERWISE SPECIFIED DIMENSIONS FOR REFERENCE ONLY					REPLACEMENT FOR:	PAGE: 1/1
4	29-09-2010	11634				
REV.	DATE	INDEX				