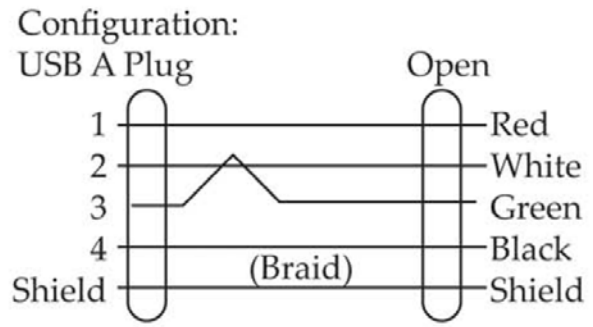
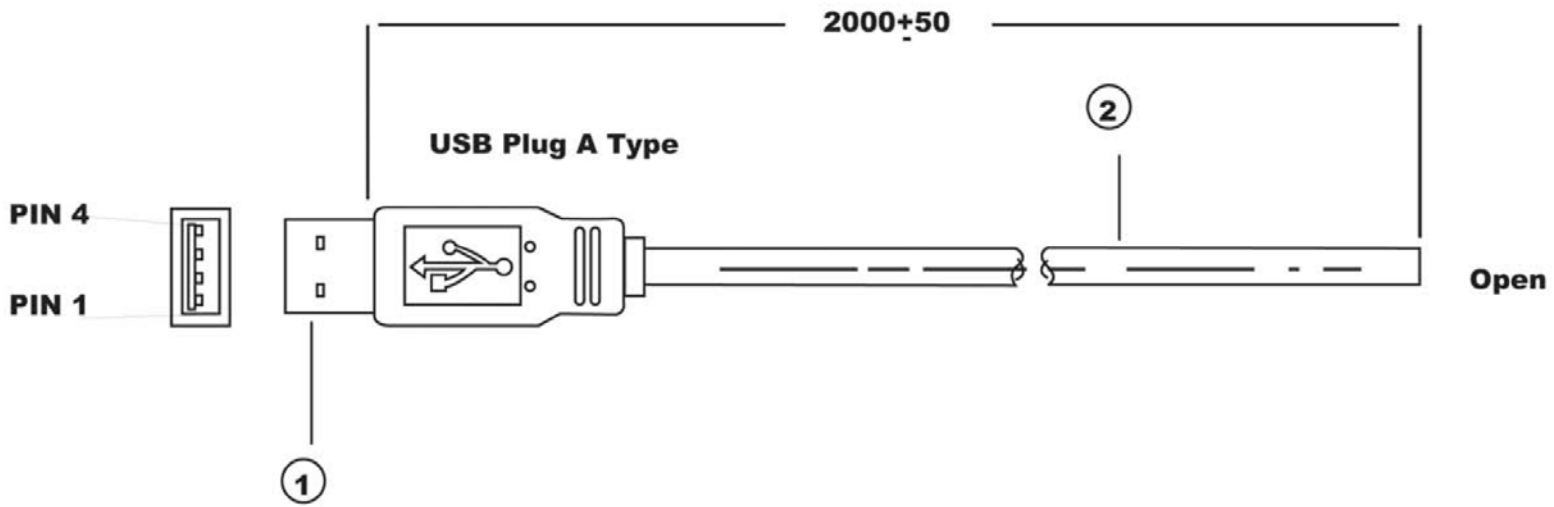


A  
B  
C  
D  
E  
F  
G  
H



**Material:**

- 1.Cable:UL2725,#28X1P+#24X2C+65%Braid, O.D:5.0
- 2.Connector: USB A Plug,

**Note:**

- 1.Total Length: 2000±50mm
- 2.Color: Black
- 3.Molded Type

Scale	1:1						Name	Item No.
TOLERANCE						Drawn	1/31/12	Miller
X.X	±0.40					Approved	1/31/12	Warner
X.XX	±0.25							
X.XXX	±0.15							
Angle	±3°							
			15.12.2011	Lucas	<b>ASSMANN</b> W&S components		Drawing No.	<b>rev01</b>
							Replace	
			Modification	Date	Name			



A  
B  
C  
D  
E  
F  
G  
H