

REVISIONS					
P.	LTN.	DESCRIPTION	DATE	DWN.	APVD.
A		RELEASED PER ECO 15-017318	12-8-15	CT	DH

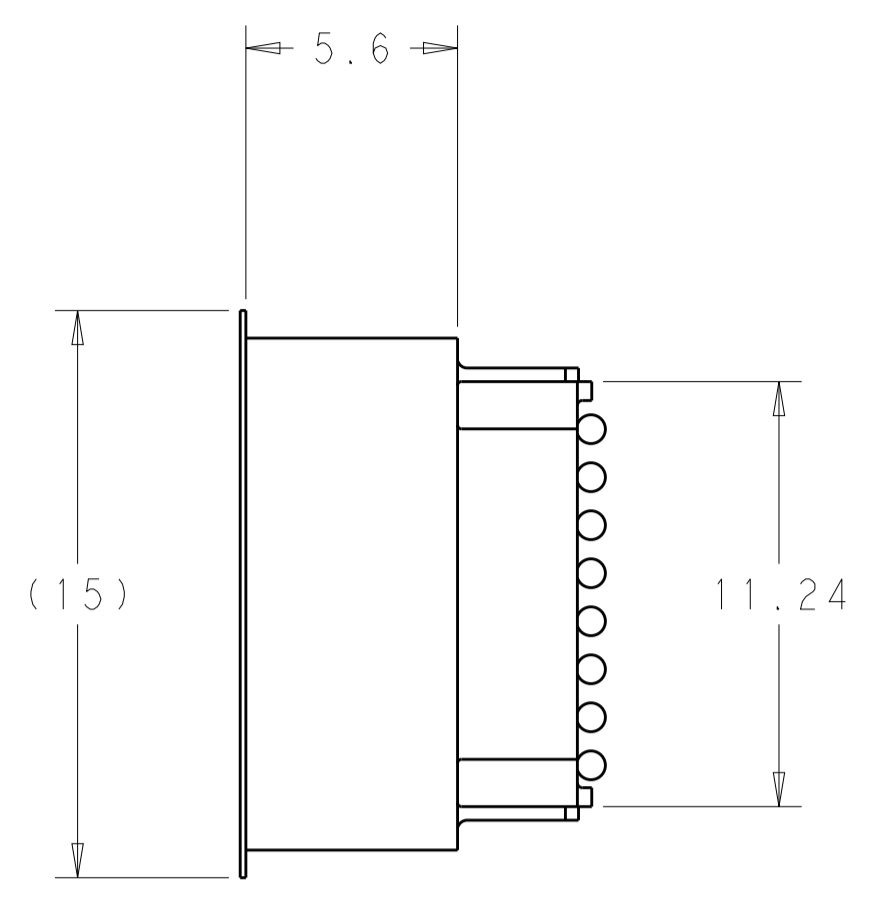
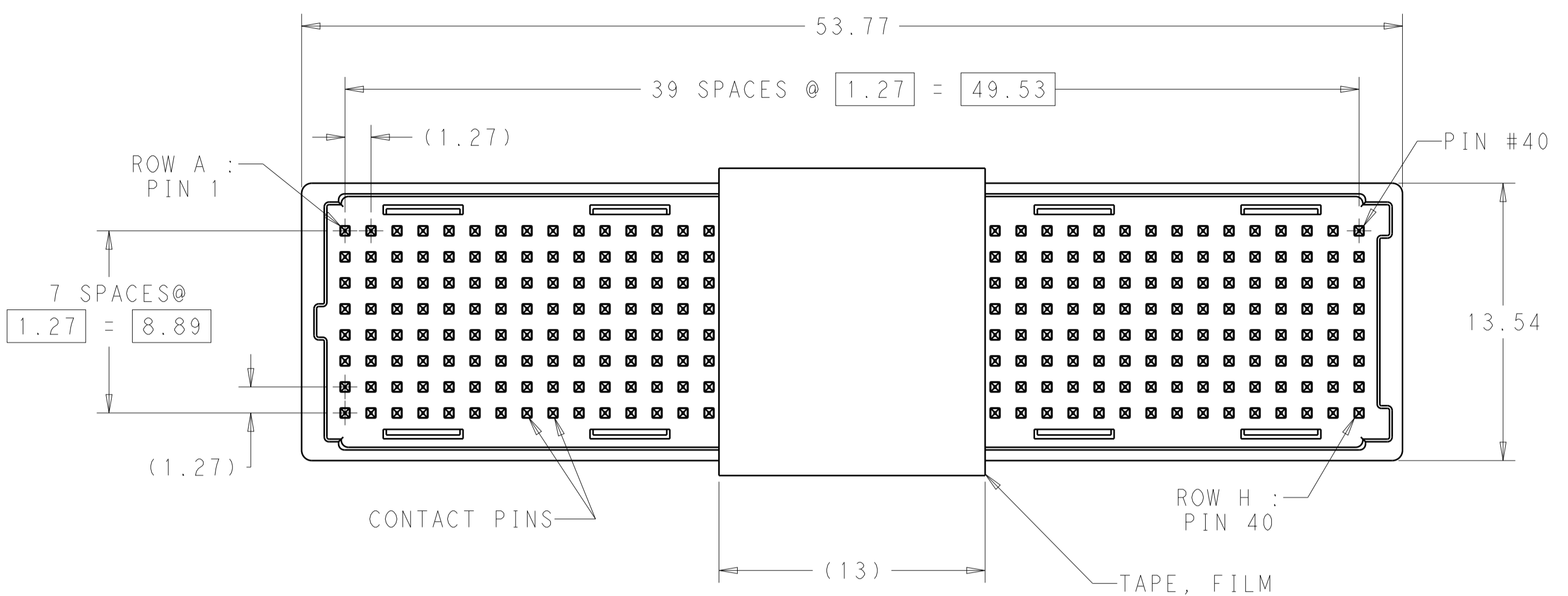
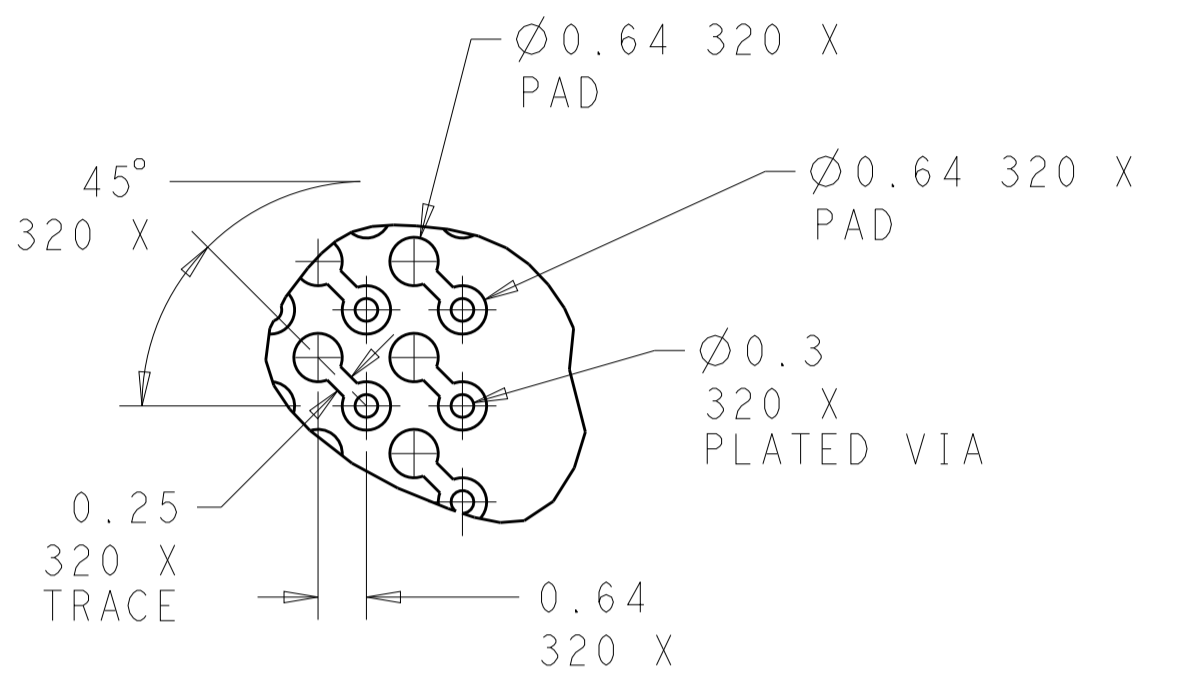
⚠ MATERIAL: HOUSINGS LCP, COLOR: NATURAL  
 CONTACT: PHOSPHOR BRONZE.  
 SOLDER BALL: SEE TABLE  
 FILM TAPE: KAPTON WITH SILICON ADHESIVE.

⚠ FINISH: CONTACTS: GOLD (SEE TABLE) ON MATING AREAS  
 NICKEL ON ENTIRE CONTACT.

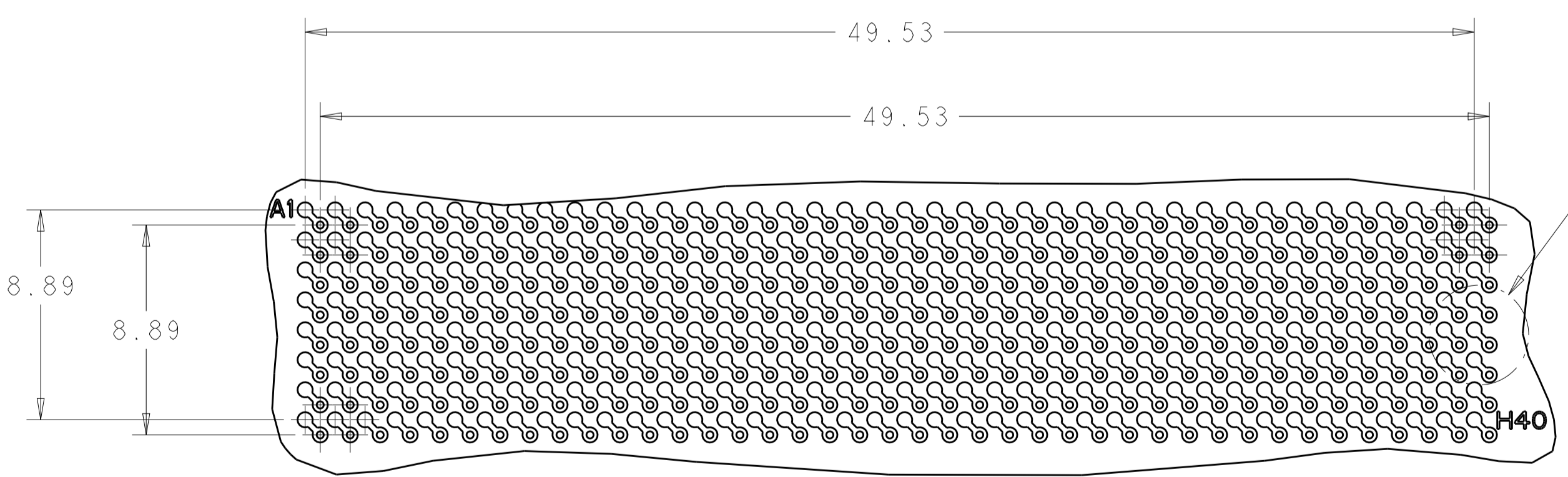
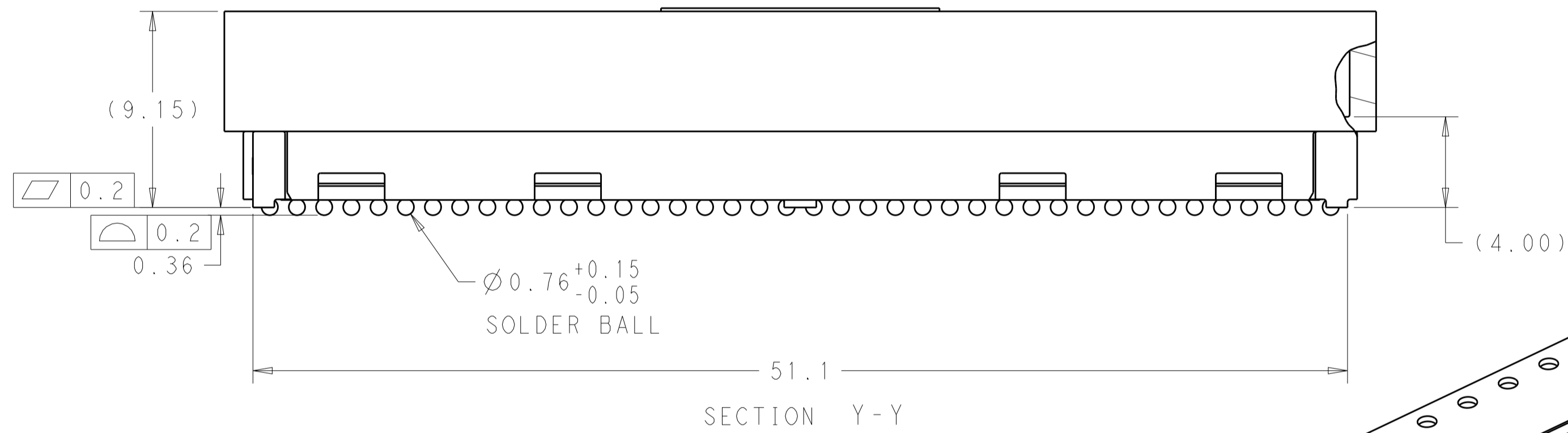
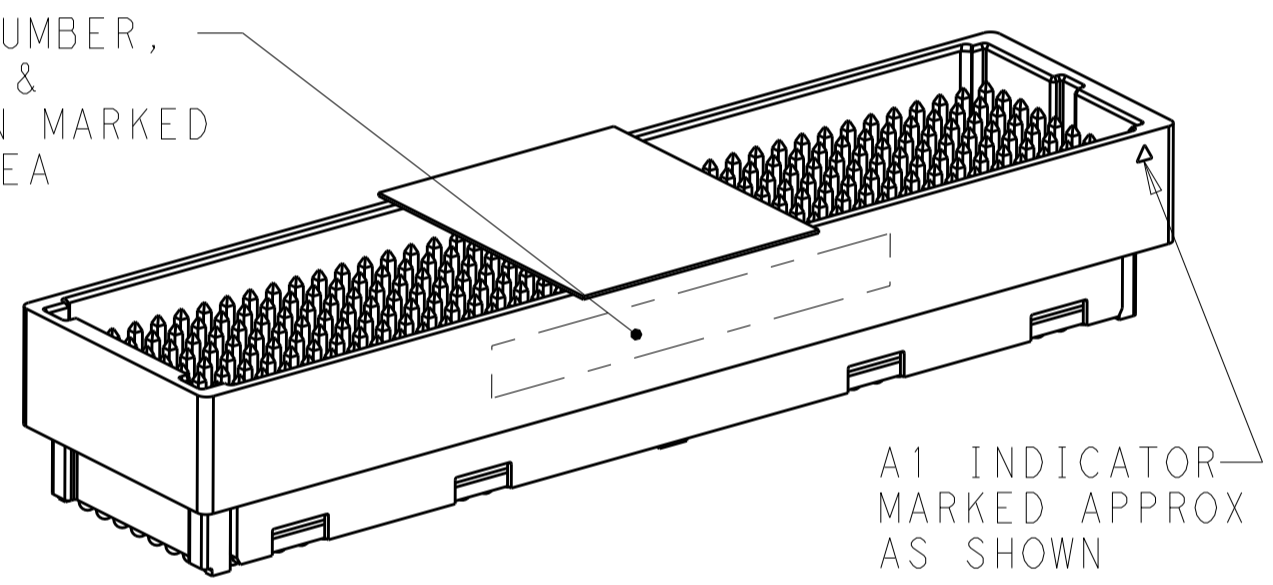
3. PRODUCT IS PACKAGED ON TAPE AND REELED.

⚠ PRELIMINARY PART.

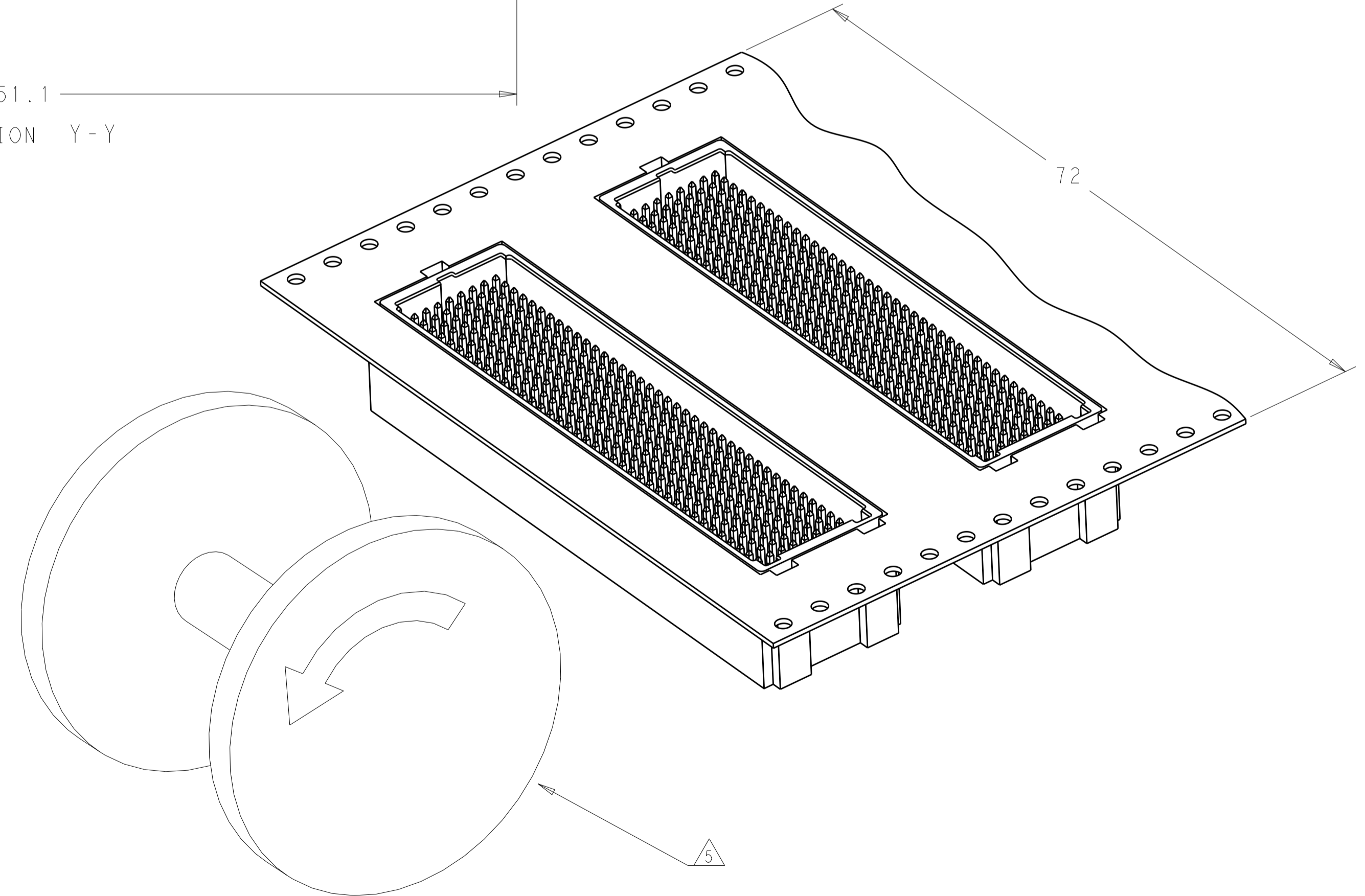
⚠ DIAGRAM REPRESENTS THE REELING DIRECTION OF THE PACKAGED CONNECTORS. THERE ARE 10 EMPTY POCKETS AT THE BEGINNING OF THE REEL AND 15 EMPTY POCKETS AT THE END OF THE REEL.



ASSEMBLY PART NUMBER, DATE CODE & COUNTRY OF ORIGIN MARKED IN THIS AREA



PCB LAYOUT (CONNECTOR SIDE)



1-2102430-2	1-2102430-6	2102430-8	2102430-6	0.76 μm	LEAD FREE PER SAC405	2102429-4
1-2102430-1	1-2102430-5	2102430-7	2102430-5	0.76 μm	TIN LEAD	2102429-3
1-2102430-0	1-2102430-4	2102430-4	2102430-2	1.27 μm	LEAD FREE PER SAC405	2102429-2
2102430-9	1-2102430-3	2102430-3	2102430-1	1.27 μm	TIN LEAD	2102429-1
18mm STACK MATING CONNECTOR	15mm STACK MATING CONNECTOR	12mm STACK MATING CONNECTOR	10mm STACK MATING CONNECTOR	GOLD PLATING THICKNESS	SOLDER BALL MATERIAL	PART NUMBER

THIS DRAWING IS A CONTROLLED DOCUMENT. DIMENSIONS: mm. TOLERANCES UNLESS OTHERWISE SPECIFIED: 0 PLC ±0.5, 1 PLC ±0.13, 2 PLC ±0.013, 3 PLC ±0.001, 4 PLC ±0.0001. MATERIAL: ⚠. FINISH: ⚠.

OWN: MCKIBBEN, JOHN. CHK: DOWHOWER, KENNETH. APVD: [Signature]. PRODUCT SPEC: 108-2411. APPLICATION SPEC: 114-132776. WEIGHT: -. CUSTOMER DRAWING.

SCALE: 3:1. SHEET: 1 OF 1. REV: A.