

SUMMARY



Image is for illustrative purpose only

Wires

| | |
|---------|---|
| Low | 0 |
| High | 0 |
| Coax | 0 |
| Triax | 0 |
| Quad | 0 |
| Fiber | 0 |
| Fluidic | 0 |

Download

[Request a quote](#)

[Catalog](#)

| | |
|------------------|-------------------------|
| Series | 00 |
| Termination type | No contacts / Accessory |
| IP rating | 61 |
| Cable Ø | 0.00 - 0.00 mm |
| Matching parts | |
| Status | |
| Alternative part | |

TECHNICAL DETAILS

Mechanics

| | |
|-------------------|---|
| Shell Style/Model | BRA*: Cap for receptacle |
| Keying | 2 keys (alpha=30, plug: male contacts, receptacle: female contacts) |
| Housing Material | |
| Cable Fixing | ∅ 0 - 0 mm |
| Variant | |

Performance

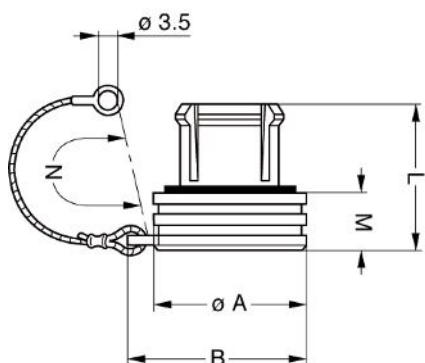
| |
|---------------|
| Configuration |
| Insulator |
| Rated Current |

Others

| |
|---------------|
| IP Rating: 61 |
|---------------|

DRAWINGS

Draws



Dimensions

| | A | B | L | M | N |
|-----|------|------|------|------|------|
| mm. | 7.5 | 9.8 | 9 | 3.5 | 60 |
| in. | 0,30 | 0,39 | 0,35 | 0,14 | 2,36 |

RECOMMENDED BY LEMO

Tools

None

Cables