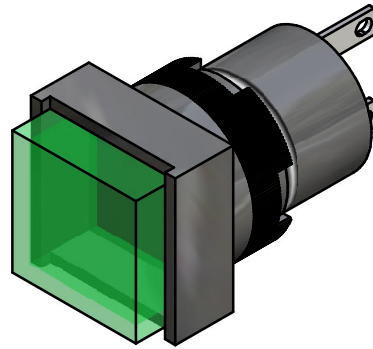
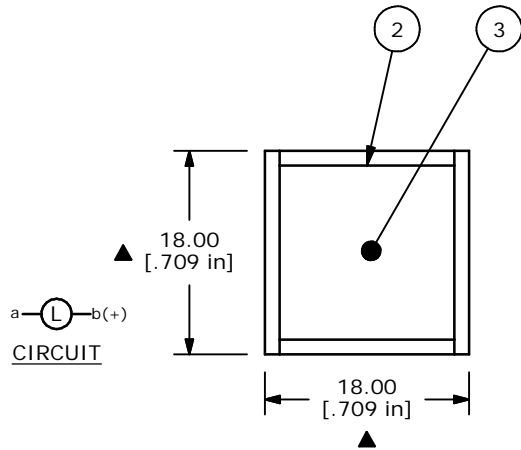


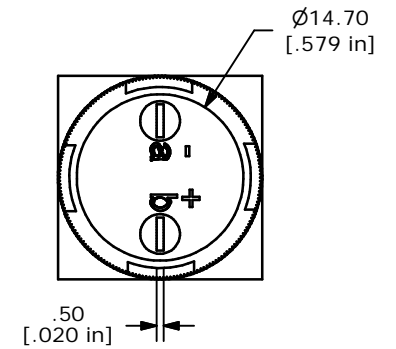
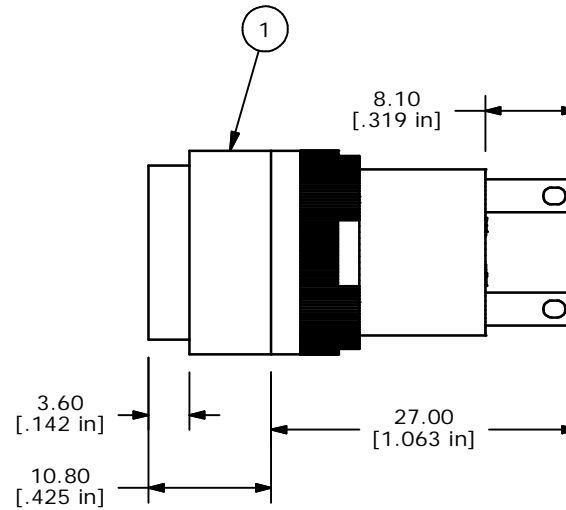
RECOMMENDED PANEL MOUNTING



PARTS LIST				
ITEM	QTY	PART NUMBER	DESCRIPTION	
1	1	F040002	L16PLS10	
2	1	F050312	50-003-12	
3	1	F050405	50-004-05 28V INCANDESCENT BULB	



CIRCUIT



NOTE:

1. ALL DIMENSIONS IN MM [INCH]
2. GENERAL TOLERANCE: X.X=±0.4
X.XX=±0.25
3. TERMINAL NUMBERS FOR REF ONLY
4. OPERATING TEMP: -25°C to +55°C
5. STORAGE TEMP: -40°C TO +85°C
- ▲ 6. LAMP VOLTAGE: 28V AC OR DC @40MILLIAMPS
7. ▲ DENOTES CRITICAL PARAMETER.

E-SWITCH®

A	14304	RELEASED FOR PRODUCTION	9/9/04	AR
REV	PCR NO	DESCRIPTION	DATE	BY

TITLE L16PLS10CGRN				
SCALE	DATE	DR	DWG	REV
2:1	9/9/04	AR	XF0603P	A

THE INFORMATION CONTAINED IN THIS DOCUMENT IS PROPRIETARY TO E-SWITCH AND IS NOT TO BE COPIED OR TRANSFERRED