

4

3

2

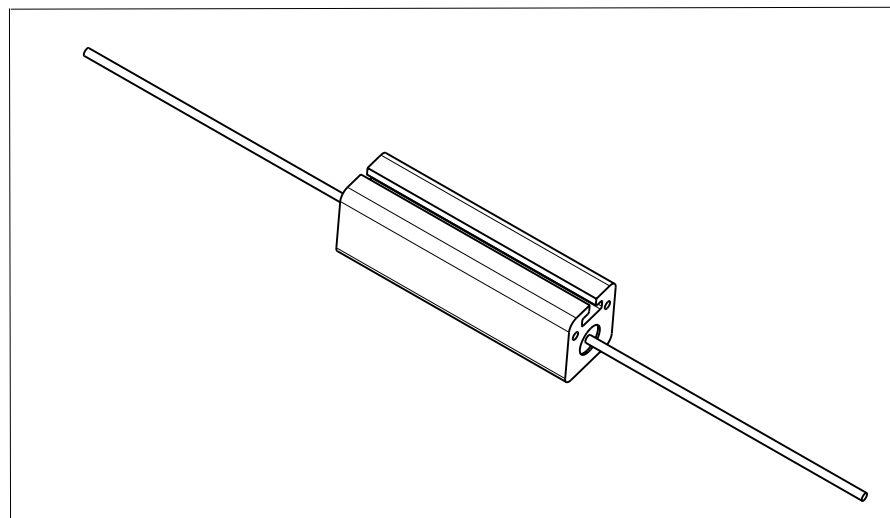
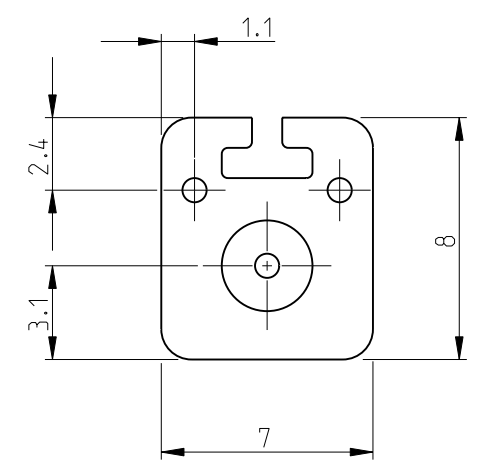
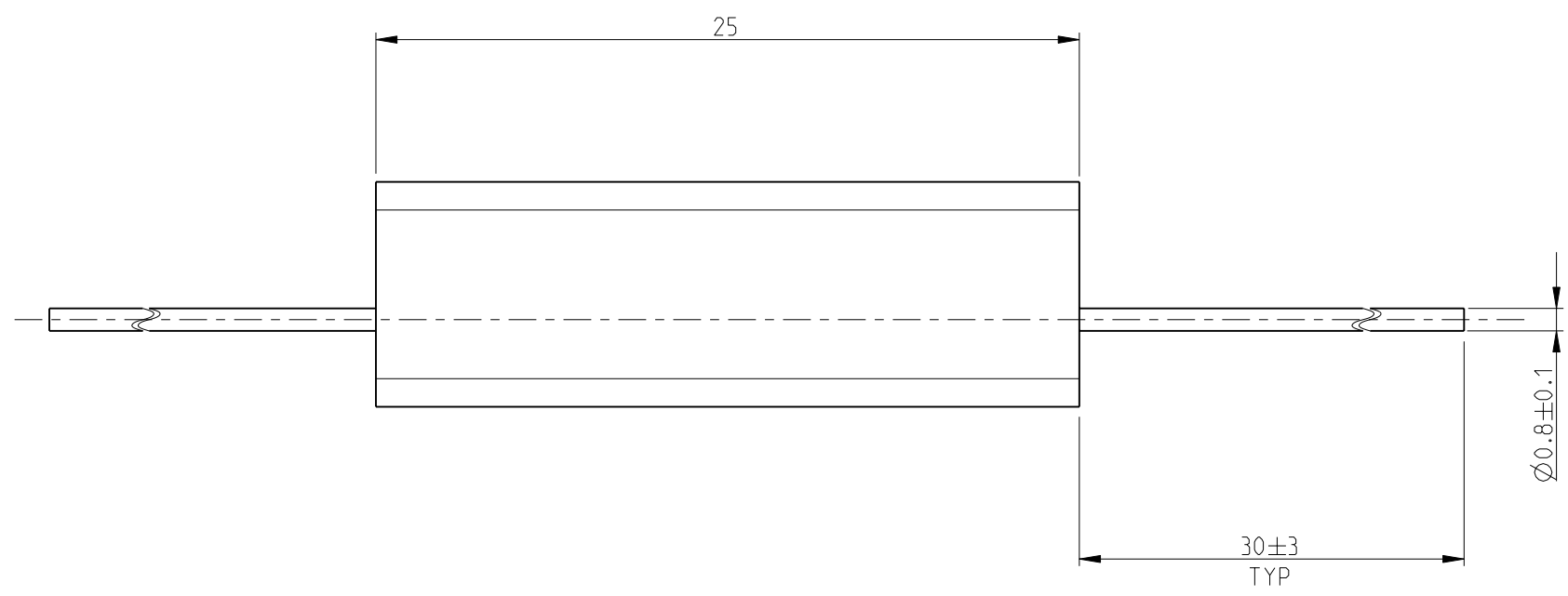
1

THIS DRAWING IS UNPUBLISHED. RELEASED FOR PUBLICATION 2008

© COPYRIGHT 2008 BY TYCO ELECTRONICS CORPORATION. ALL RIGHTS RESERVED.

LOC	DIST	REVISIONS				
P	LTR	DESCRIPTION	DATE	DWN	APVD	
E	B	BA	NEW RELEASE	26JULY2010	PT	St.P

FOR FURTHER INFORMATION SEE DATA SHEET FOR SERIES TYPE SBC(SQUARE CERAMIC), HIGH POWER RESISTORS



RoHS Compliant

<small>THIS DRAWING IS A CONTROLLED DOCUMENT FOR TYCO ELECTRONICS CORPORATION IT IS SUBJECT TO CHANGE AND THE CONTROLLING ENGINEERING ORGANIZATION SHOULD BE CONTACTED FOR THE LATEST REVISION.</small>		DWN 26JULY2010 PARUSURAM.I		Tyco Electronics Corporation Dorcan, Swindon, SN3 5HH	
DIMENSIONS: mm		TOLERANCES UNLESS OTHERWISE SPECIFIED: 0 PLC ±0.2 1 PLC ±0.1 2 PLC ± 3 PLC ± 4 PLC ± ANGLES ±5°		NAME HIGH POWER RESISTOR TYPE SBC (SQUARE CERAMIC) SERIES SBCH 5	
MATERIAL -		FINISH -		PRODUCT SPEC - APPLICATION SPEC - WEIGHT 3.5g	
CUSTOMER DRAWING				SIZE A3 CAGE CODE 00779 DRAWING NO ©=1623725	RESTRICTED TO -
SCALE 4:1				SHEET 1 OF 1	REV BA