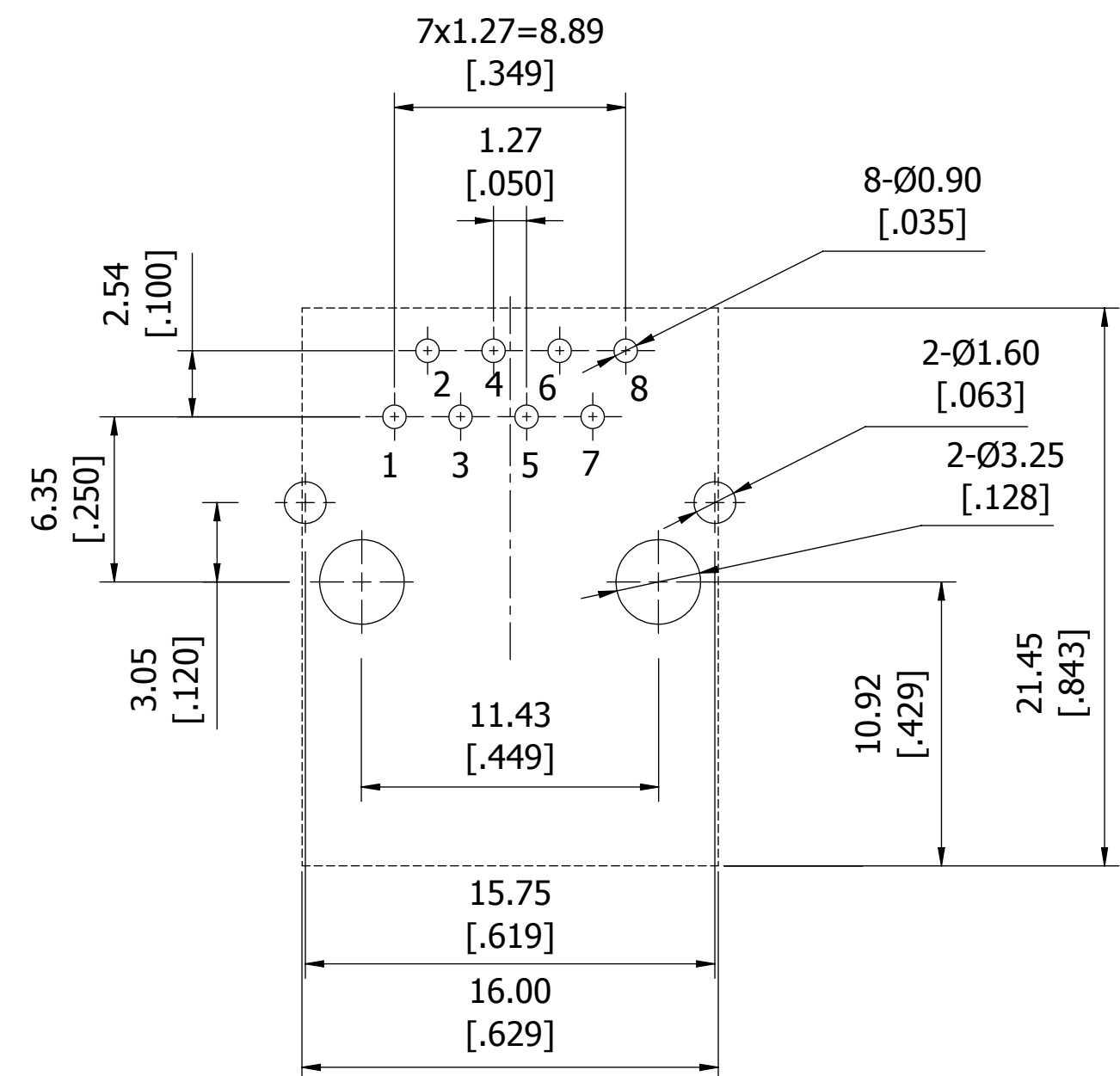
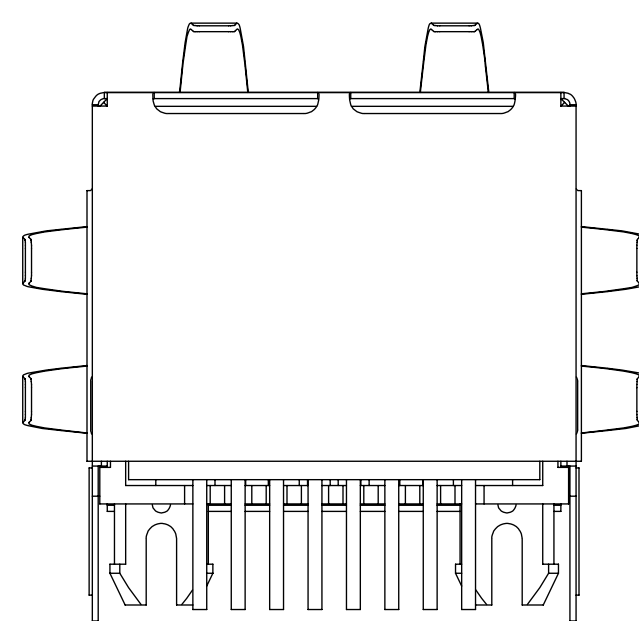
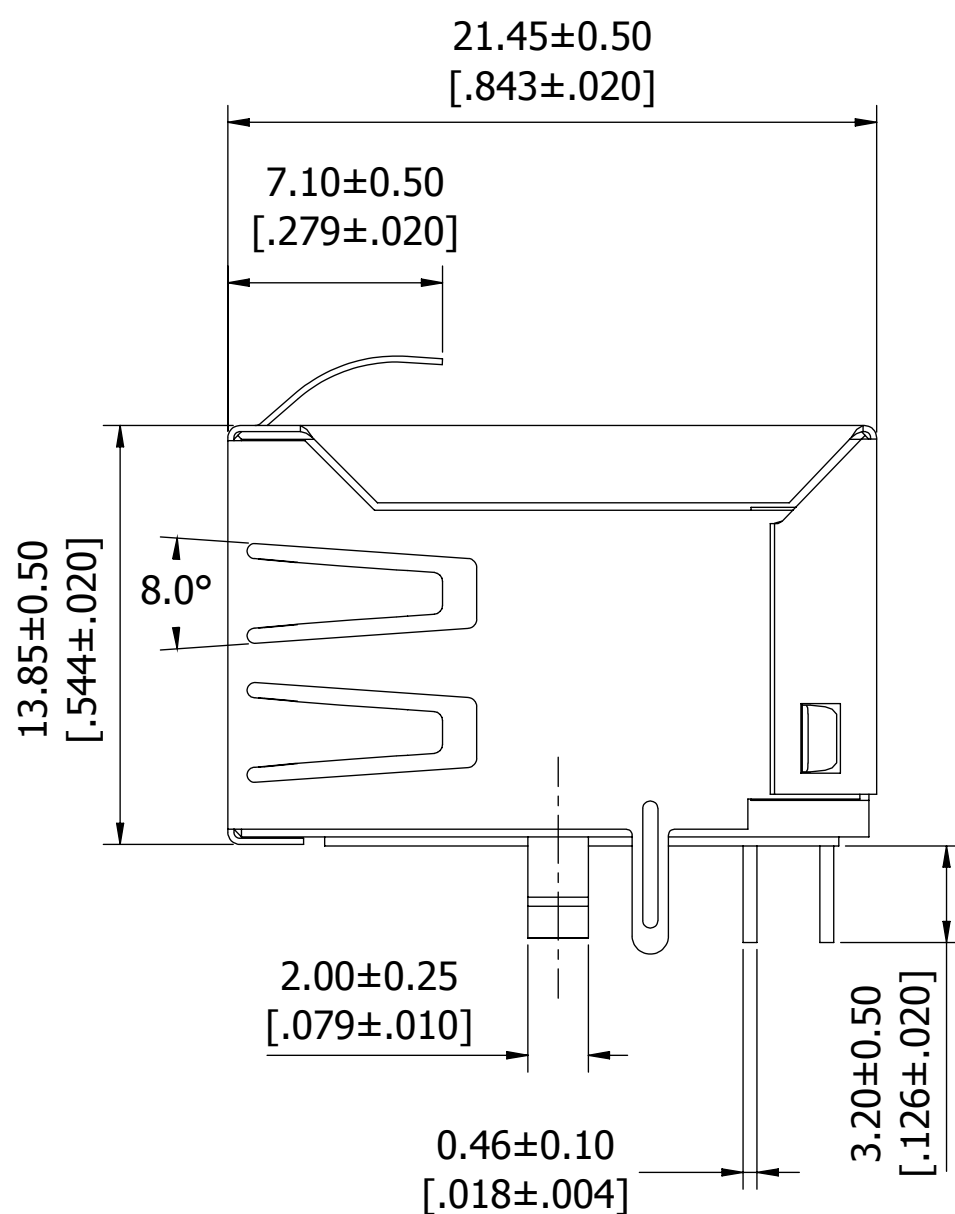
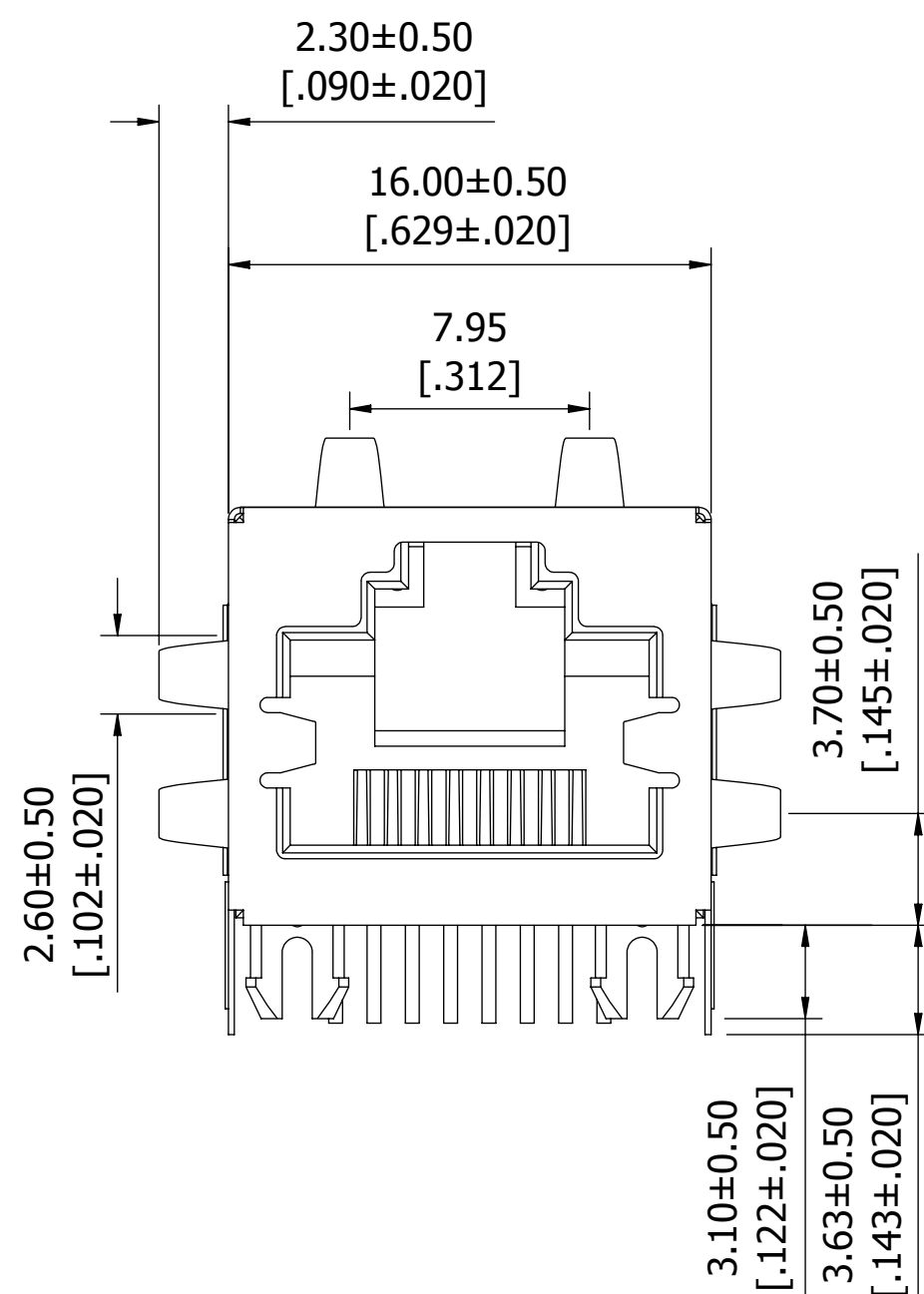
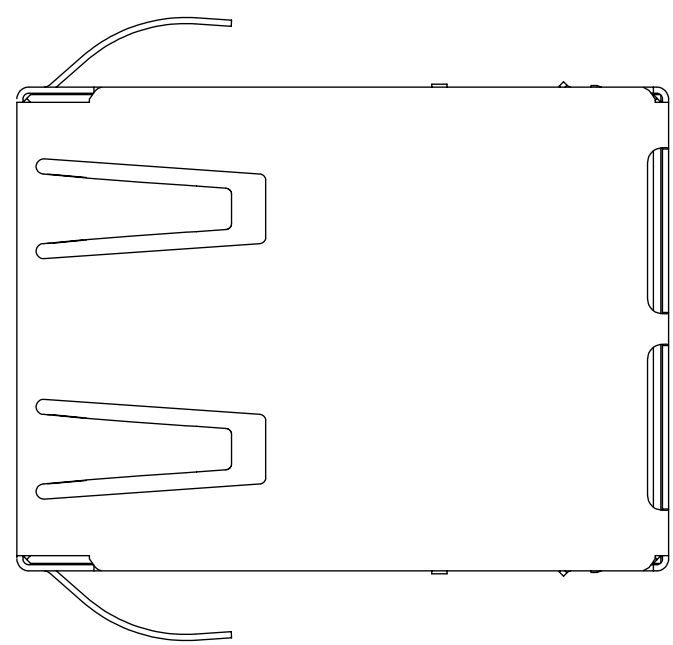
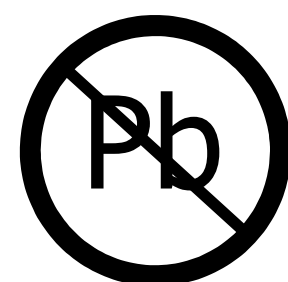


| REVISIONS |         |   |            |    |
|-----------|---------|---|------------|----|
| REV.      | ECO. NO | DESCRIPTION                               | DATE       | BY |
| A         | 2406    | INITIAL RELEASE                           | 08/01/2011 | GC |
| B         | 2604    | UPDATE PAGE 2 SCHEMATIC TD- 2 (WAS RD- 2) | 05/31/2012 | LH |

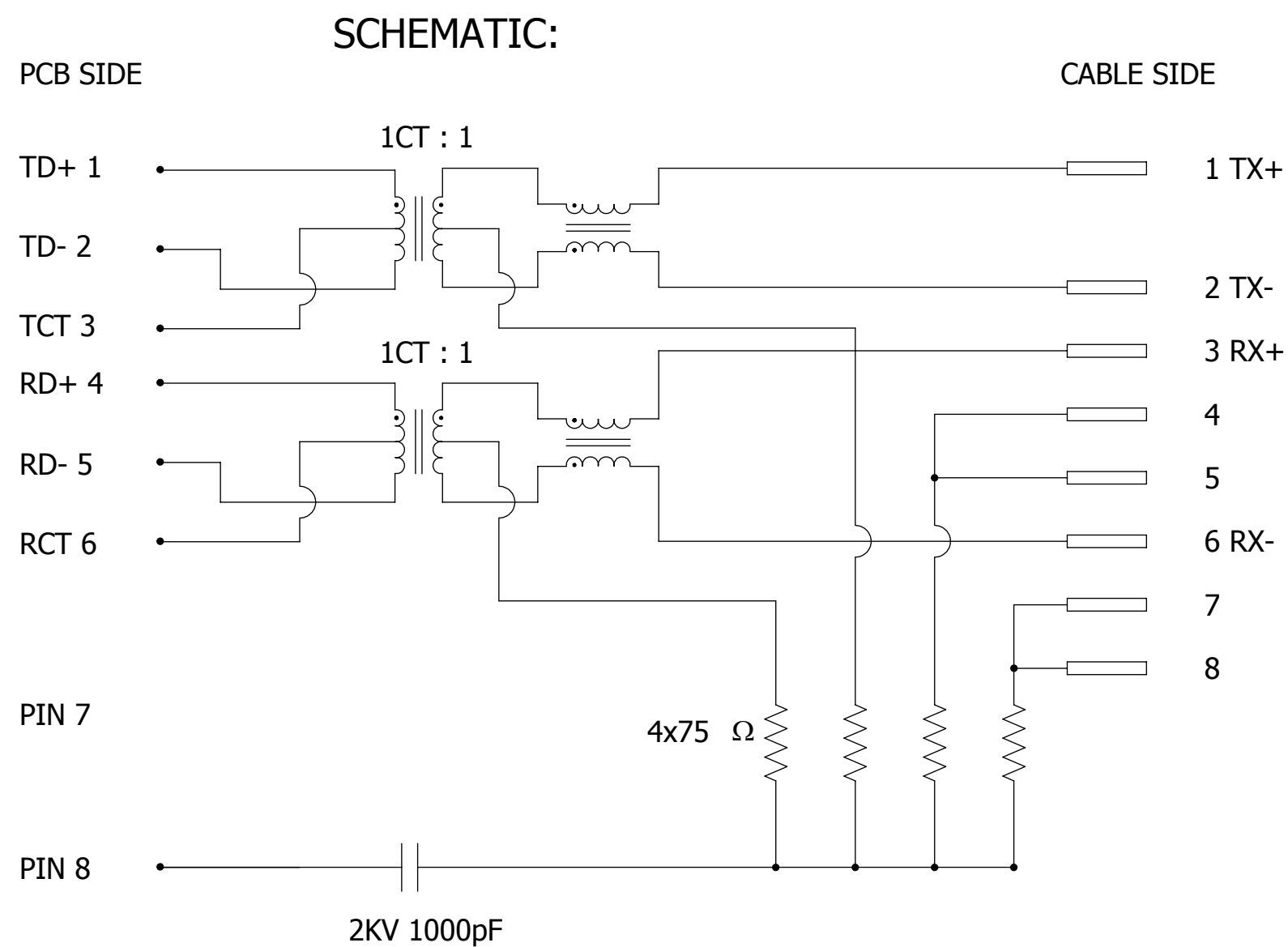


**RECOMMENDED P.C.B LAYOUT**  
TOLERANCE: ±0.05 [.002]



**RoHS COMPLIANT**

|  |   |            |              |   |
|--|---|------------|--------------|---|
| UNLESS OTHERWISE SPECIFIED:<br>DIMENSIONS ARE IN MM[INCHES]  | DRAWN   | DATE       | NAME         |   |
|  |   | 08/01/2011 | GC           |   |
| TOLERANCES:<br><br>ANGULAR:<br><br>DECIMALS:<br>.X=±.25 [.01]<br>.XX=±.15 [.006]<br>.XXX=±.100 [.0040] | <small>THE INFORMATION HEREIN CONTAINS PROPRIETARY INFORMATION OF SULLINS ELECTRONICS AND IS NOT TO BE REPRODUCED, USED OR DISCLOSED TO OTHERS FOR ANY PURPOSE EXCEPT AS SPECIFICALLY AUTHORIZED IN WRITING BY AN OFFICER OF SULLINS ELECTRONICS.</small> |            |              | TITLE                                     |
|  |   |            |              | 1x1 TAB UP RJ45 10/100 BASE-T WITHOUT LED |
| PART NUMBER  |   |            |              | SMJ102-S88I-DS-11                         |
| SIZE   | CAGE CODE   | DWG. NO.   | REV          |   |
| C  | 54453   | 11820      | B            |   |
| SCALE: 4:1   |   |            | SHEET 1 OF 2 |   |



**NOTES:**

**1.MATERIAL:**

Plastic Housing:  
 RJ Housing: NY46,UL94V-0 ,Black  
 Transformer Housing:Phenolic ,UL94v-0 ,Black  
 Terminals:  
 RJ Contacts:0.25mm Thickness,Phosphor Bronze C5191H  
 RJ Solder pin:Ø0.46mm ,Phosphor Bronze C5191H  
 Shields:  
 Shell:0.2mm Thickness,Brass C2680H  
 PCB:FR-4 Two layer PCB

**2.PLATING:**

RJ Contact: .000050" min. Nickel underplate,  
 .000006" min gold on contact surface,  
 .000050" min Tin on termination.  
 RJ Solder pin:Pre-soldering on soldertail,  
 .000030" min nickel underplate.  
 Shell: .000030" min Nickel overall, Pre-soldering on ground legs

**3.RoHS Compliance per EU Directive 2002/95/EC**

**4.Transmitter & Receiver Filter:**

| Insertion Loss<br>(dB Max) | Return Loss at 100Ω<br>(dB Max) |         |          |          |
|----------------------------|---------------------------------|---------|----------|----------|
|                            | 1~100MHz                        | 1~30MHz | 30~60MHz | 60~80MHz |
| -1.0                       | -18                             | -16     | -12      |          |

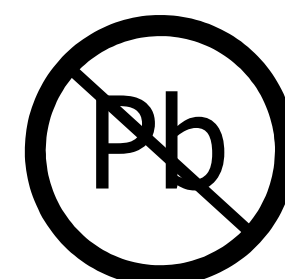
5.Common Mode Rejection @ 1~100 MHz: -30dB MIN

6.Cross Talk @ 1~100 MHz: -35dB MIN

7.Inductance @ 100KHz/ 0.1V, 8mA DC BIAS: 350uH MIN

8.HiPot Test: 1500Vrms, 60sec

9.Operating Temperature Range: 0°C TO +70°C



**RoHS COMPLIANT**

|   |  |            |                    |                   |  |
|---|--|------------|--------------------|-------------------|--|
| UNLESS OTHERWISE SPECIFIED:<br>DIMENSIONS ARE IN MM[INCHES] | DRAWN  | DATE       | NAME               |                   |  |
|   |  | 08/01/2011 | GC                 |                   |  |
|   | TOLERANCES:<br>ANGULAR:<br>DECIMALS:<br>.X=± .25 [.01]<br>.XX=± .15 [.006]<br>.XXX=± .100 [.0040]  |            |                    |                   | TITLE<br>1x1 TAB UP RJ45 10/100 BASE-T WITHOUT LED |
|   | THE INFORMATION HEREIN CONTAINS PROPRIETARY INFORMATION OF SULLINS ELECTRONICS AND IS NOT TO BE REPRODUCED, USED OR DISCLOSED TO OTHERS FOR ANY PURPOSE EXCEPT AS SPECIFICALLY AUTHORIZED IN WRITING BY AN OFFICER OF SULLINS ELECTRONICS. |            |                    |                   | PART NUMBER<br>SMJ102-S88I-DS-11                   |
|   |  | SIZE<br>C  | CAGE CODE<br>54453 | DWG. NO.<br>11820 | REV<br>B   |
|   |  |            |                    | SCALE: 4:1        | SHEET 2 OF 2                                       |