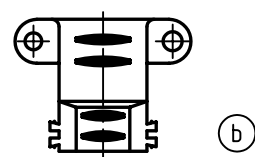
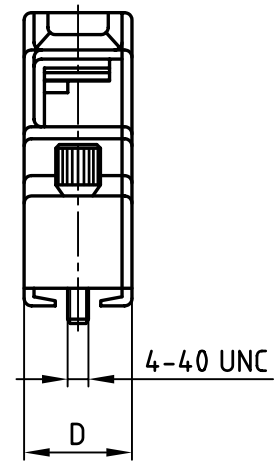
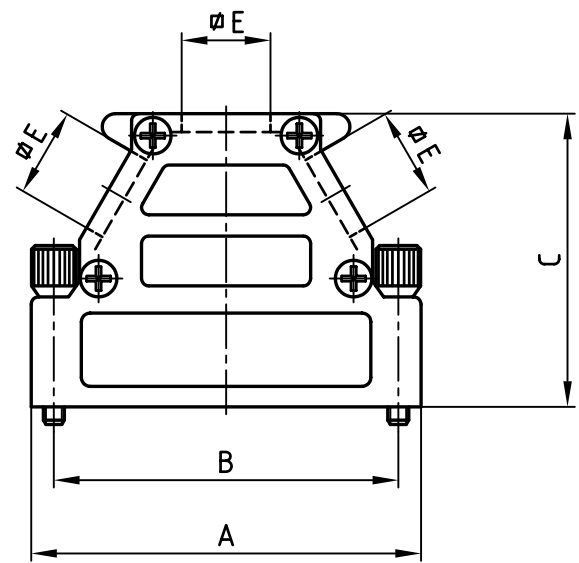


used for: D-SUB



Cable clamp has to be ordered separatly.
Part-no. 16N61032

Delivery includes:
Hood with covers
1 or 2 blanking plugs
4 screws for fixing
1 earth screw
2 jack screws

Directive 2002/95/EC
RoHS
Compliant

POS.	A	B	C	D	ØE	Part-NO.
9	31.0	25.0	35.5	14.8	12.1	16N61001
15	39.3	33.3	35.5	14.8	12.1	
25	53.2	47.0	40.0	14.8	12.1	16N61002
37	69.5	63.5	40.0	14.8	12.1	
50	67.0	61.1	42.0	17.8	14.6	

APPROVAL # FREIGABE # DEBLOCAGE # AUTORIZACION # APPROVAL

CUSTOMER APPROVAL DATE:

NAME: TITLE:

COMPANY NAME:

APPROVAL # FREIGABE # DEBLOCAGE # AUTORIZACION # APPROVAL

THIS DRAWING MAY NOT BE COPIED OR REPRODUCED IN ANY WAY, AND MAY NOT BE PASSED ON TO A THIRD PARTY WITHOUT WRITTEN PERMISSION.
OWNERSHIP AND COPYRIGHT OF CONEC GmbH
DO NOT ALTER CAD DRAWING BY HAND

tolerance		dim. in mm	
2005	date	name	
drawn	09.06.	Lehmenkühler	
appd.	09.06.	Mickenbecker	
norm			
d-old			
1 x b	Ä 2459	13.03.06	HS
rev.	description	date	name



scale:	1:1	
material:	DIE-CAST ZINC	
title:	METAL HOOD EMI/RFI shielding 9-50pos. with jack screws	
dwg no:	AutoCAD 2004	DIN-A
	16K1A1417	4
part no:	SEE TABLE	
		sh: 1/1