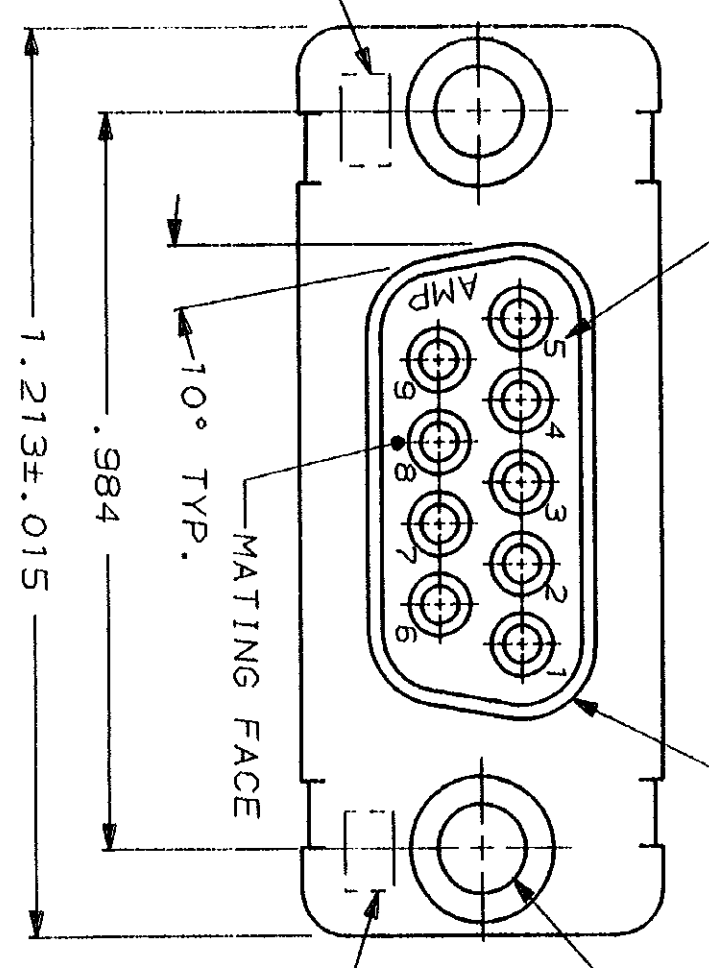
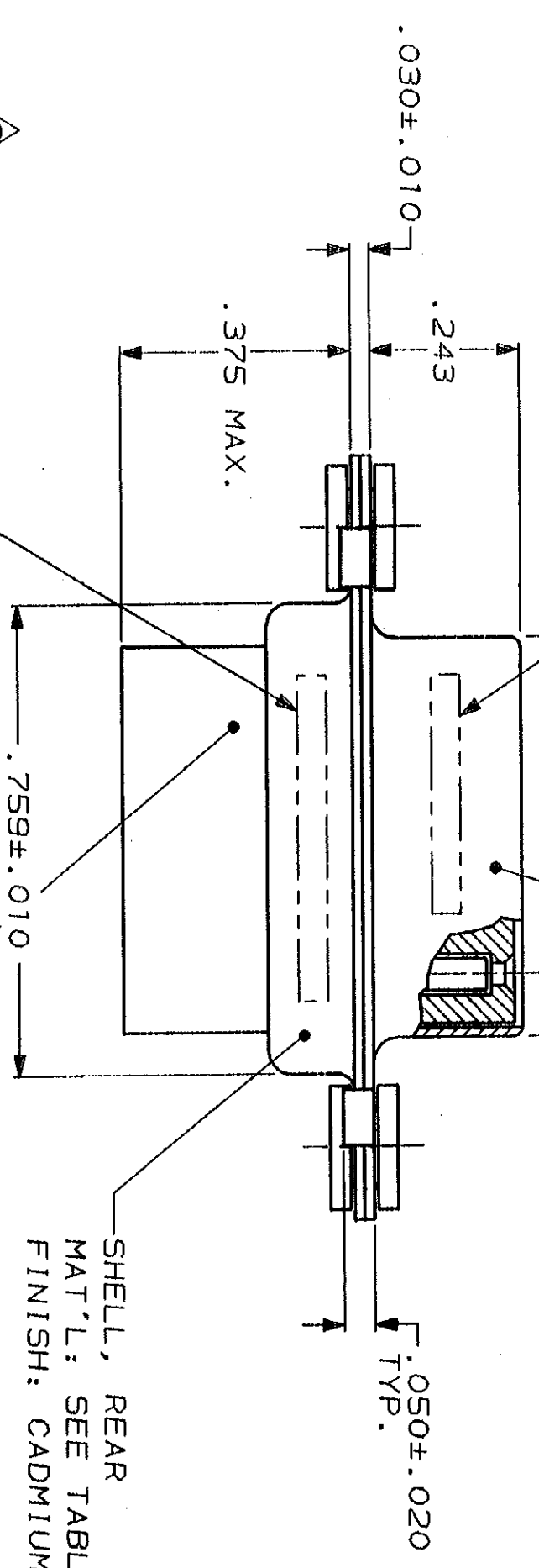


INDENTIFICATION NUMBERS
 RAISED CAVITY
 TYP. .100±.003 R.



AMP & DATE CODE INK
 STAMPED, NEAR SIDE



SHELL, FRONT
 MAT'L: SEE TABLE
 FINISH: CADMIUM PER QQ-P-416

SHELL, REAR
 MAT'L: SEE TABLE
 FINISH: CADMIUM PER QQ-P-416

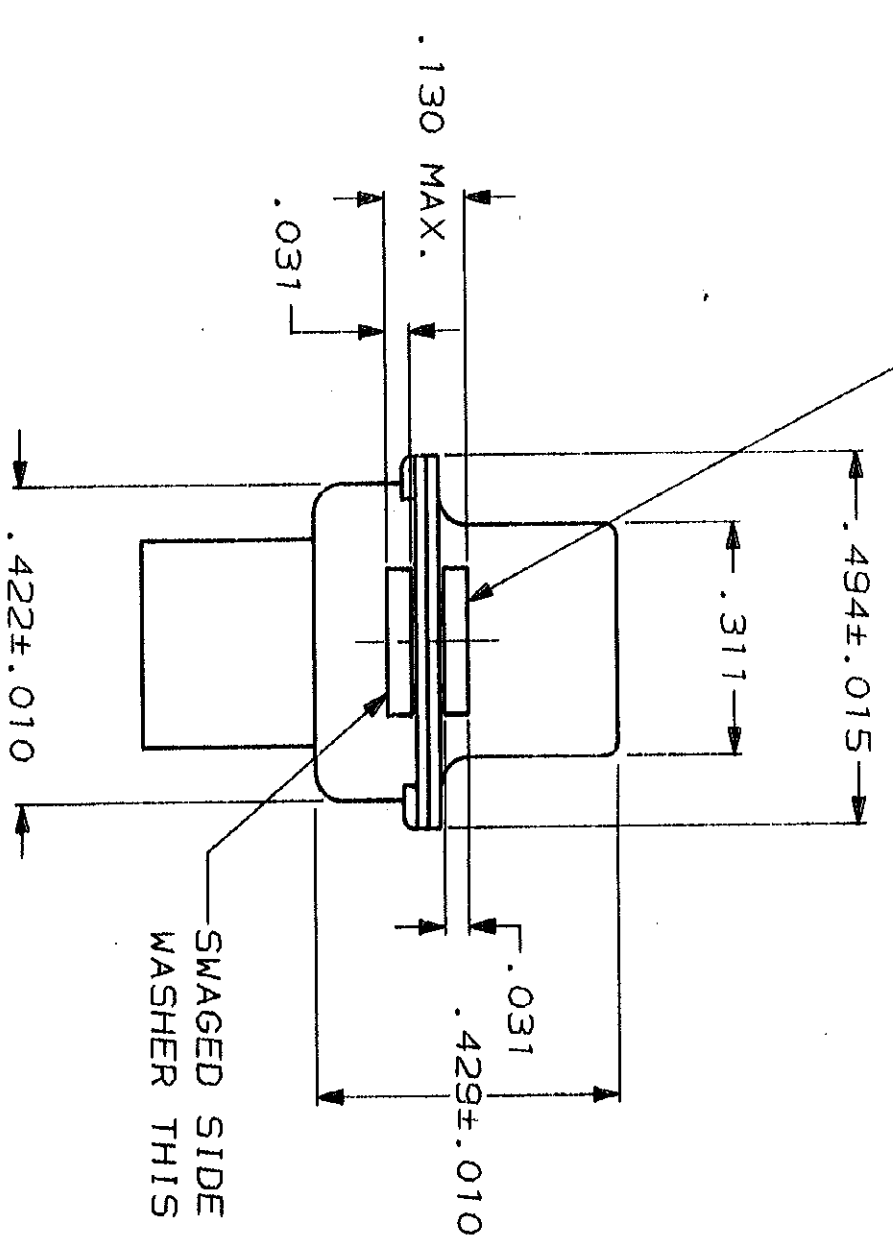
AMP PART NO. INK
 STAMPED, NEAR SIDE
 M24308/2-23F INK
 STAMPED, FAR SIDE

INSERT ASSEMBLY
 MAT'L: GLASS FIBER REINF.,
 FLAME RTD. POLYESTER
 COLOR: BLUE

1. THIS RCPT. IS DESIGNED TO CONFORM TO THE LATEST ISSUE OF MIL-C-24308
2. MAX WIRE INSUL TO BE USED WITH THIS RCPT IS .068 DIA
3. STAINLESS STEEL RETENTION CLIPS ARE INCLUDED IN INSERTS
4. PACKAGE STAMPED M24308/2-292F
5. THIS RCPT. WILL ACCEPT SIZE 20 SOCKET CONTACT M24308/10 OR AMP # 205090
6. AMP PART NO. STAMPED ON CONNECTOR REPRESENTS KIT NUMBER WITH CONTACTS
7. UL/CSA DESIGNATION STAMPED IN THIS AREA.

PROD CODE	LOC	DIST	REV	ZONE	LTR	DESCRIPTION	DATE	APPD
5066	DF	D0			K	REV 8 REDRAWN, ECN DF-0021 & DF-0160	12-9 87	
					L	REV / ECN DF-1034 TW	11-2-88	ZMM

FLOATING BUSHING/WASHER, 2 REQ'D.
 MAT'L: STAINLESS STEEL PER ASTM-A-582
 FINISH: PASSIVATED PER QQ-P-35B
 FLOATS .008 ±.004 VERTICALLY & .031 HORIZONTALLY



DR 12-9-87 C.C. THOMAS	NAME	AMP
CHK 12-10-87 FC BALLEW III	APPLMITE RCPT. FOR SOCKET CONTACTS	AMP INCORPORATED Morpheus, Pa. 17105
APPD 12-10-87 FC BALLEW III	HI-DENSITY "HDM-20" CONNECTOR	
APPD 12-10-87 DJM	SIZE 1 (9 POSN) SERIES 109	
	WITH FLOAT BUSHINGS	

DO NOT SCALE PRINT. UNLESS SPECIFIED DIMENSIONS IN INCHES TOLERANCES ON: 2 PLC DEC ± .005 3 PLC DEC ± 0-30' ANGLES	FINISH	SEE CALLOUTS
	APPLICATION SPEC	
	WEIGHT	

BRASS	205416-2
STEEL PER ASTM-A-109	205416-1
SHELL MAT'L	PART NO

SCALE	4:1
DRAWING NO	205416
SHEET	1 OF 1