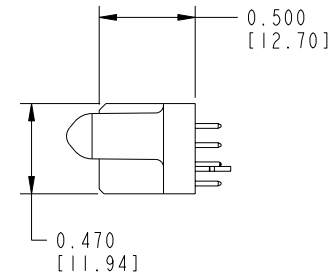
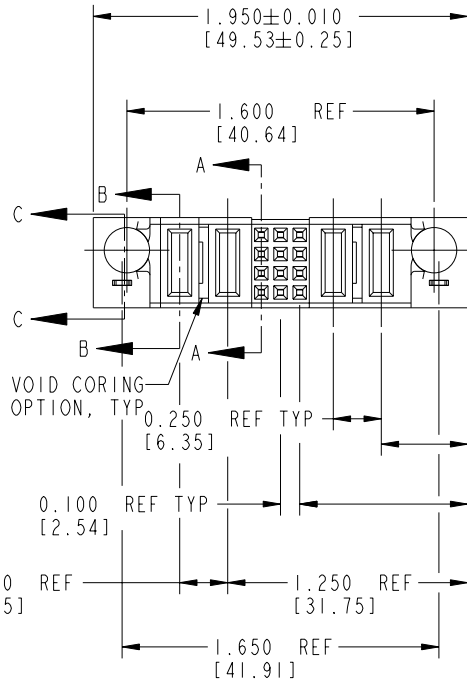


Tous droits strictement reserves. Reproduction ou communication a des tiers interdite sous quelque forme que ce soit sans autorisation écrite du propriétaire. Propriete de c FCI. Droits de reproduction FCI.

All rights strictly reserved. Reproduction or issue to third parties in any form whenever is not permitted without written authority from the proprietor. Property of FCI. Copyright FCI.



PRODUCT No.	ROWS	POWER					POWER				
		E2	P4	P3	3	2	1	P2	P1	E1	
51750-022-- NOTE: 2	D C B A										



CODE	DIM "M"		CONTACT TYPE
	±0.010 [0.25]		
E	N/A	[N/A]	SIGNAL
PA	0.042	[1.07]	POWER
PD	0.092	[2.34]	POWER
HA	N/A	[N/A]	HOLD-DOWN

mat'l code				SEE NOTE 1		tolerances unless otherwise specified		CUSTOMER		 www.fciconnect.com	
ltr	ecn no.	dr	date	linear	.XX±.01/0.X±0.3		COPY		 title 2P + 12S + 2P VERTICAL STB RECEPTACLE		
A	V12522	JWS	11/7/01		.XXX±.005/0.XX±0.13		projection				
B	V12542	DAI	12/02/01	angles	.XXX±.0020/.XXX±.051		 product family PwrBlade code 213				
C	V03-0341	TAB	04/25/03		0°±2°		size dwg no		sheet 1 of 3		
D	DG05-0304	GuoJM	08/31/05	dr	J. SHAFFER	11/7/01	INCH/MM		product family PwrBlade code 213		
				engr	J. ALLISON	11/7/01	scale		sheet 1 of 3		
				chr	J. ALLISON	11/7/01	1:1		size dwg no		
				appd	J. ALLISON	11/7/01			A 51750-022		
sheet index		revision sheet		D	D					cage code 22526	
1		2		1		2				4	

Pro/E

3

cage code 22526

4

PDM: Rev:D

STATUS: Released

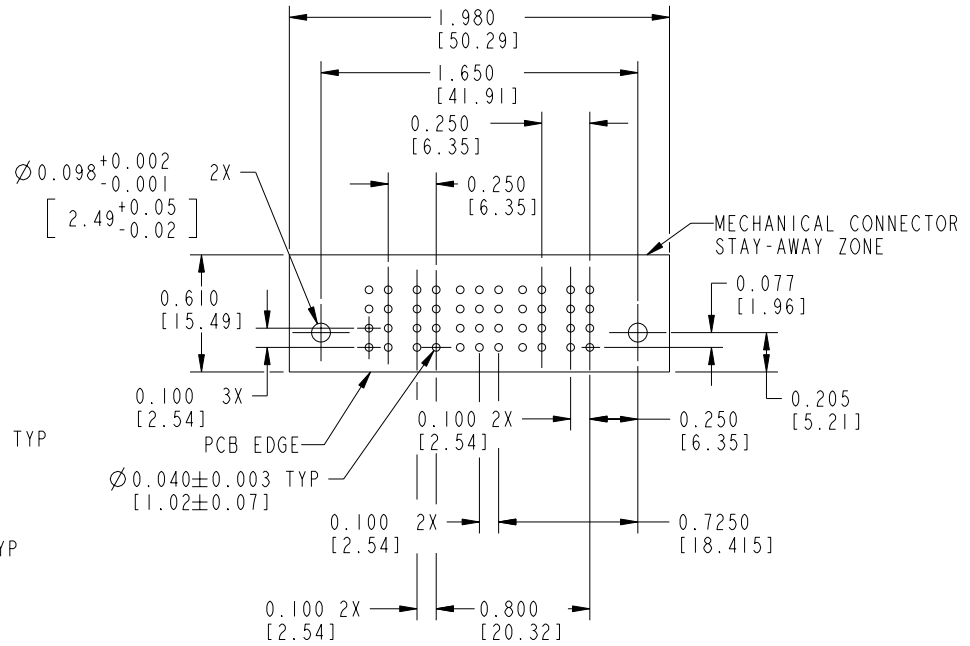
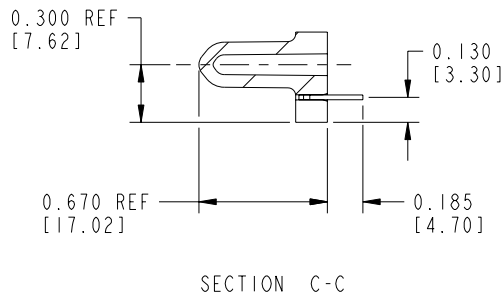
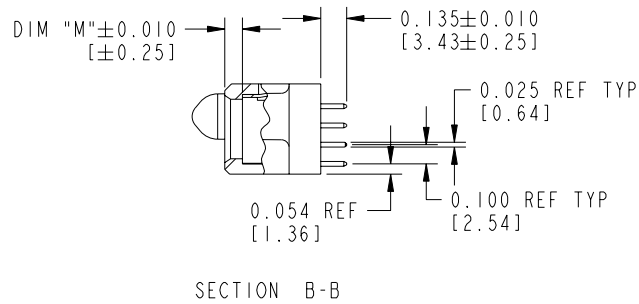
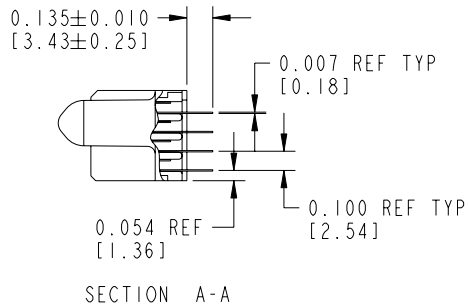
Printed: Dec 20, 2010

Tous droits strictement réservés. Reproduction ou communication a des tiers interdite sous quelque forme que ce soit sans autorisation écrite du propriétaire. Propriété de c FCI. Droits de reproduction FCI.

**FCI**

All rights strictly reserved. Reproduction or issue to third parties in any form whatever is not permitted without written authority from the proprietor. Property of FCI. Copyright FCI.

PRODUCT NUMBER  
51750-022--  
NOTE: 2



RECOMMENDED PCB LAYOUT

mat'l code				SEE NOTE 1		tolerances unless otherwise specified		CUSTOMER		 www.fciconnect.com	
ltr	ecn no.	dr	date	linear	.XX±.01/0.X±0.3		COPY		 projection	title	
D					.XXX±.005/0.XX±0.13		A			2P + 12S + 2P	
					.XXX±.0020/.XXX±.051		INCH/MM			VERTICAL STB RECEPTACLE	
				angles	0°±2°		scale		product family		
				dr	J. SHAFFER	11/7/01	1:1		PwrBlade		code
				engr	J. ALLISON	11/7/01			size		213
				chr	J. ALLISON	11/7/01			dwg no		sheet
				appd	J. ALLISON	11/7/01			A		2
sheet index		revision sheet									

cage code 22526

Pro/E

PDM: Rev:D

STATUS: Released

Printed: Dec 20, 2010

Tous droits strictement réservés. Reproduction ou communication a des tiers interdite sous quelque forme que ce soit sans autorisation écrite du propriétaire. Propriété de c FCI. Droits de reproduction FCI.

**A**  
**FCI**

All rights strictly reserved. Reproduction or issue to third parties in any form whatever is not permitted without written authority from the proprietor. Property of FCI. Copyright FCI.

A

A

PRODUCT NUMBER  
51750-022--  
NOTE: 2

CONNECTOR NOTES:

1. FOR ADDITIONAL INFORMATION, REFER TO DRAWING NUMBER 51750.

2. PLATING:

51750-022 Singal Pin:30u"/0.76um Au OVER 50u"/1.27um Ni ON THE CONTACT AREA,  
AND 100u"/2.54um SnPb PLATING OVER 50u"/1.27um Ni ON THE TERMINATION SECTION.  
Power Pin:30u"/0.76um Au OVER 50u"/1.27um Ni ON THE CONTACT AREA,  
AND 100u"/2.54um SnPb PLATING OVER 50u"/1.27um Ni ON THE TERMINATION SECTION.

51750-022LF Singal Pin:30u"/0.76um Au OVER 50u"/1.27um Ni ON THE CONTACT AREA,  
AND 78u"/2.00um Sn PLATING OVER 50u"/1.27um Ni ON THE TERMINATION SECTION.  
Power Pin:30u"/0.76um Au OVER 50u"/1.27um Ni ON THE CONTACT AREA,  
AND 78u"/2.00um Sn PLATING OVER 50u"/1.27um Ni ON THE TERMINATION SECTION.

PART NUMBER 51750-022LF MEETS EUROPEAN UNION DIRECTIVE AND IOTHER COUNTRY REGULATIONS AS DESCRIBED IN GS-22-008.

THE HOUSING WILL WITHSTAND EXPOSURE TO 260° PEAK TEMPERATURE FOR 10 SECONDS IN A WAVE SOLDER APPLICATION WITH A CIRCUIT BOARD.

PCB NOTES:

3. ALL HOLE DIAMETERS ARE FINISHED HOLE SIZE

4.  $\varnothing 0.0453 \pm 0.0010$  [1.151  $\pm$  0.025] DRILLED HOLES PLATED WITH 0.0003 [0.008] MIN SnPb OVER 0.001 [0.03] TO 0.003 [0.08] Cu PLATING TO ACHIEVE A  $\varnothing 0.040 \pm 0.003$  [1.02  $\pm$  0.07] HOLE.

**CONFIDENTIAL**

mat'l code		NOTE 1		tolerances unless otherwise specified		CUSTOMER		FCI	
ltr	ecn no.	dr	date		.XX±.01/0.X±0.3	COPY		www.fciconnect.com	
D				linear	.XXX±.005/0.XX±0.13	projection		title 2P + 12S + 2P	
				angles	.XXX±.0020/.XXX±.051			VERTICAL STB RECEPTACLE	
					0°±2°	INCH/MM		product family PwrBlade	
				dr	J. SHAFFER 11/7/01	scale 1:1		code 213	
				engr	J. ALLISON 11/7/01			size dwg no	
				chr	J. ALLISON 11/7/01			A 51750-022	
				appd	J. ALLISON 11/7/01			sheet 3	
sheet index	revision sheet								

B

1 | 2

3 |

4

1 | 2

Pro/E

3 |

cage code 22526

4