

Technical specification:

| | |
|-------------------------------------|---------------------------|
| Rated voltage: IEC 61076-2-101 | 30 V |
| Current rating: IEC 61076-2-101 | 2 A at 40°C |
| Insulation resistance: IEC 60512 | >=100 MΩ |
| Pollution degree: IEC 60664-1 | 3/2 |
| Degree of protection: IEC 60529 | IP 67, in mated condition |
| Temperature range: IEC 60664-1 | -30°C ... +80°C |
| Mating cycles: IEC 60512-9a | >=100 |

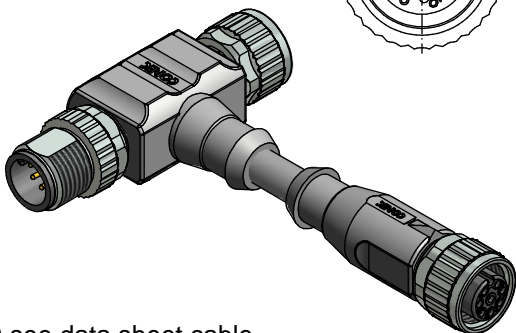
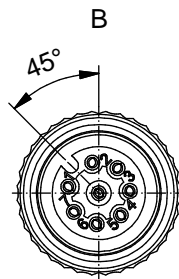
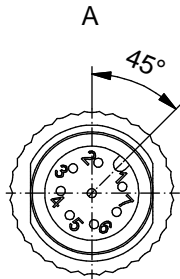
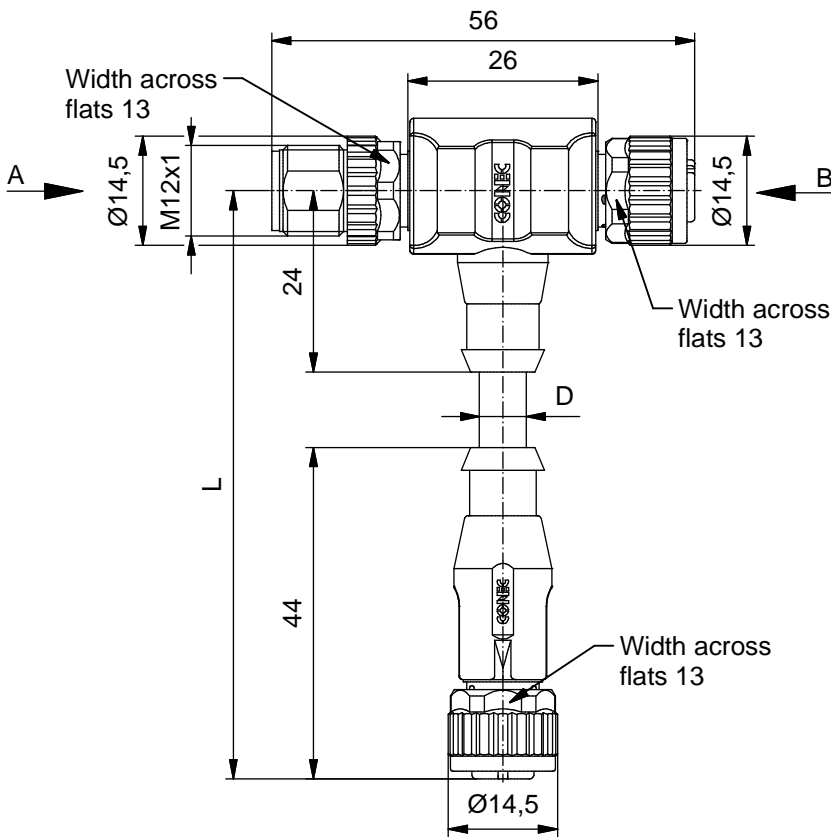
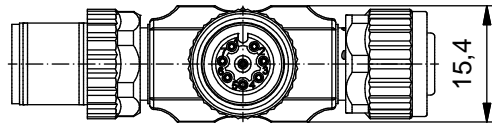
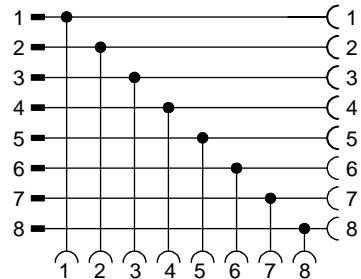
Materials:

| | |
|-------------------------|----------------------|
| Contact: | CuZn |
| Contact plating: | Nickel, gold plated |
| Contact carrier: | TPU GF, UL 94 |
| Sealing: | FPM |
| Coupling nut/ screw: | GD-Zn, nickel plated |
| Moulding body: | TPU, UL 94, grey |

Installation specification:

| | |
|--------------------------|---|
| Recommended torque: | 0,6 Nm |
| Conec installation tool: | Torque wrench: 36-000200 Insert across flats 13: 36-000220 |

Contact assignment:



D see data sheet cable

| Part no: | Description: | Length L: | Cable: |
|----------|---------------------------------------|-----------|--|
| 43-05126 | SAL - 12 - TS8 - TK8 - RK8 - 0,3 / A1 | 0,3m | PVC, grey, 8x0,25mm ² Cable: 781-A12800 |
| 43-05127 | SAL - 12 - TS8 - TK8 - RK8 - 0,6 / A1 | 0,6m | |
| 43-xxxxx | SAL - 12 - TS8 - TK8 - RK8 - ... / A1 | x | |

| | | | | | |
|---|--|------------|--|----------|---------|
| DO NOT ALTER CAD DRAWING BY HAND Directive 2002/95/EC RoHS compliant | Index: a 29.03.11 VF Ä3767 Coupling nut/ screw modified, spanner flats added, data sheet modified | dim. in mm | title: T-Junction, male connector M12x1 - female connector M12x1 - female connector M12x1 axial dwg no: 43K1A1002 part no: see table | | |
| | tolerance of cable: L ≤ 4m: L + 40mm L > 4m: L + 1% | | | date | name |
| | general tolerance: 0 ± 0,50mm 0,0 ± 0,25mm 0,00 ± 0,10mm | drawn | | 16.10.09 | Fromm |
| | THIS DRAWING MAY NOT BE COPIED OR REPRODUCED IN ANY WAY, AND MAY NOT BE PASSED ON TO A THIRD PARTY WITHOUT WRITTEN PERMISSION. OWNERSHIP AND COPYRIGHT OF CONEC GmbH | appd. | | 16.10.09 | Mankopf |

