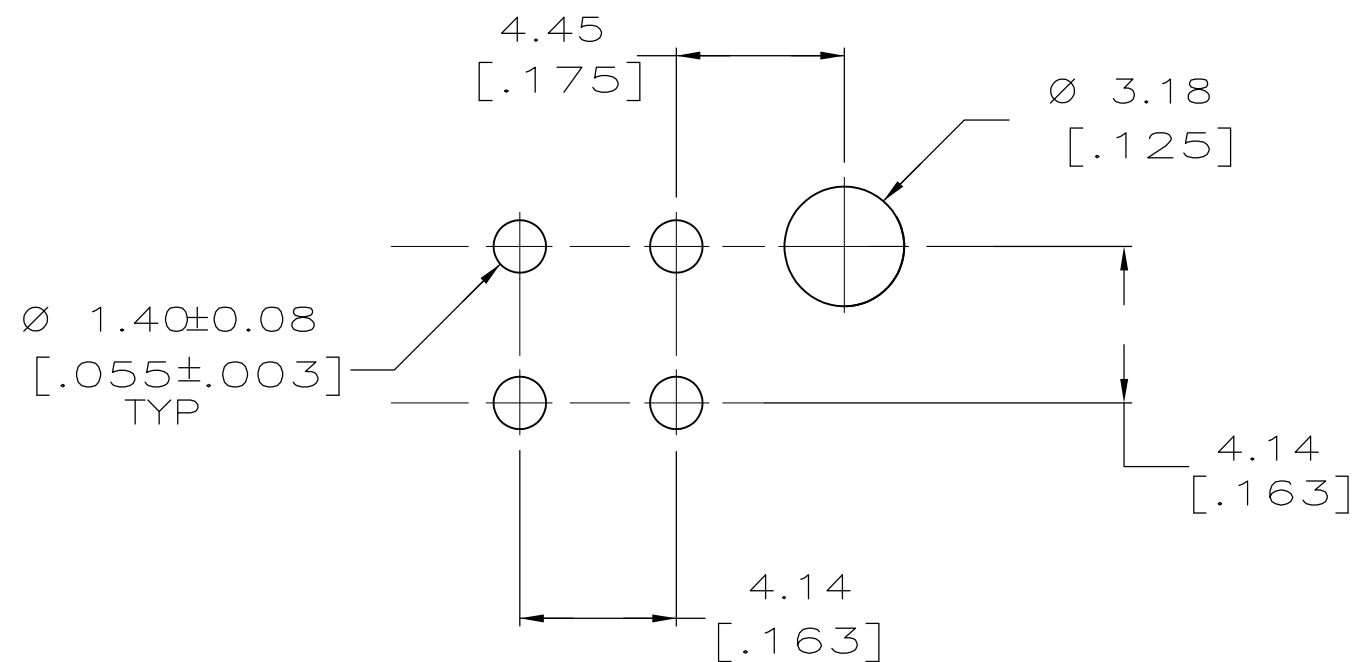
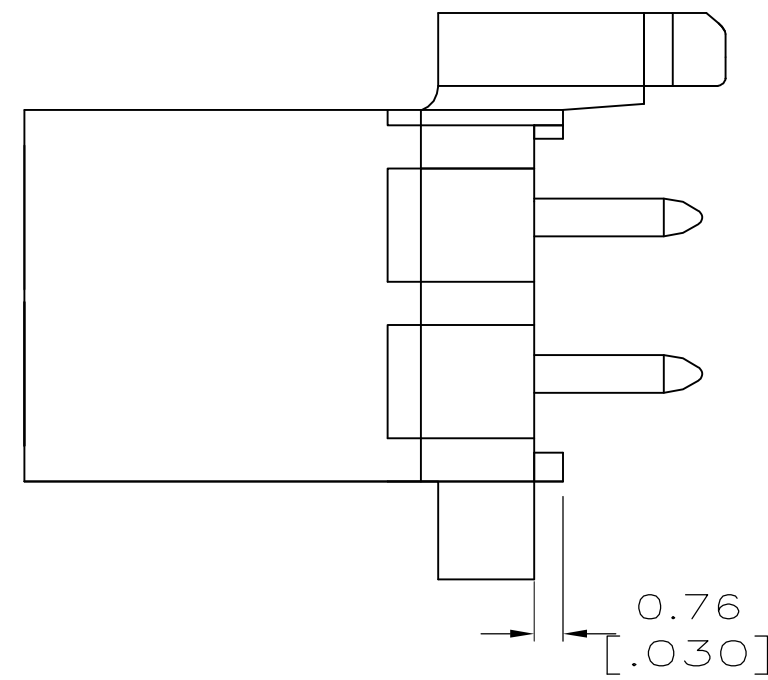
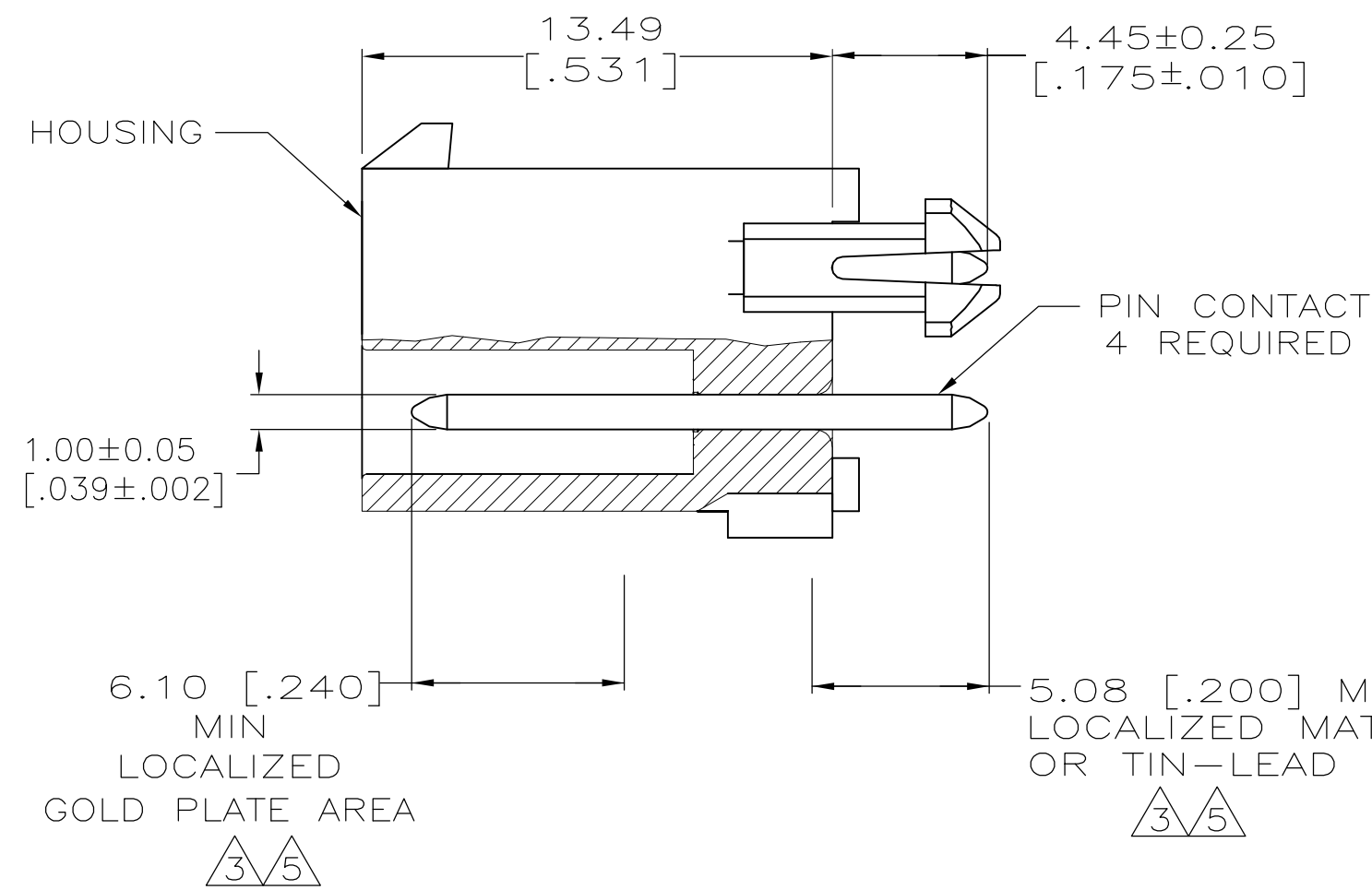
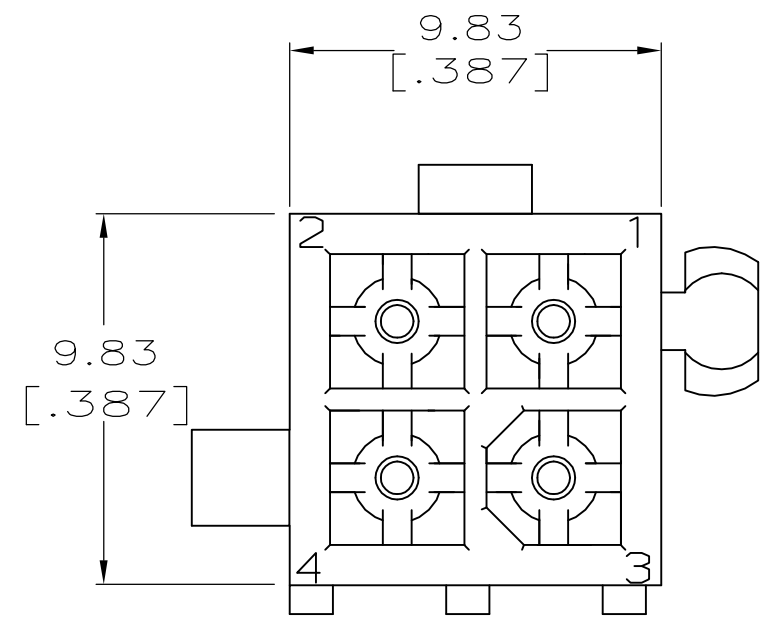


THIS DRAWING IS UNPUBLISHED. RELEASED FOR PUBLICATION
 © COPYRIGHT - By - ALL RIGHTS RESERVED.

LOC		DIST		REVISIONS			
P	LTR	DESCRIPTION		DATE	DWN	APVD	
CM	0	E1	REVISED PER ECO-11-004917	11MAR11	RK	HMR	



RECOMMENDED LAYOUT FOR 1.57[.062] THICK BOARD
 TOLERANCES NON-ACCUMULATIVE

- PINS TO COMPLY WITH AMP SOLDERABILITY SPEC. 109-11-3.
- DIMENSIONS SHOWN IN BRACKETS ARE IN INCHES.
- 0.00076 [.000030] MIN GOLD PLATE IN THE LOCALIZED GOLD PLATE AREA, 0.00381 [.000150] MATTE TIN LEAD IN THE LOCALIZED TIN LEAD PLATE AREA, BOTH OVER 0.00127 [.000050] MIN NICKEL.
- 0.00381 [.000150] MATTE TIN LEAD OVER 0.00127 [.000050] MIN NICKEL ENTIRE LENGTH OF PIN.
- 0.00076 [.000030] MIN GOLD PLATE IN THE LOCALIZED GOLD PLATE AREA, 0.00381 [.000150] MATTE TIN IN THE LOCALIZED TIN PLATE AREA, BOTH OVER 0.00127 [.000050] MIN NICKEL.
- 0.00381 [.000150] MATTE TIN OVER 0.00127 [.000050] MIN NICKEL ENTIRE LENGTH OF PIN.

NYLON UL94V-0	WHITE	BRASS	5	1-770874-1
NYLON UL94V-0	WHITE	BRASS	6	1-770874-0
NYLON UL94V-0	WHITE	BRASS	3	770874-2
NYLON UL94V-0	WHITE	BRASS	4	770874-1
MATERIAL	COLOR	MATERIAL	FINISH	PART NO.
HOUSING		PIN CONTACT		

DIMENSIONS:		TOLERANCES UNLESS OTHERWISE SPECIFIED:		DWN		CHK		APVD		NAME	
mm	[INCHES]	0 PLC	± -	1 PLC	± -	K. SALMON	11-5-91	R. SWING	11-5-91	TE Connectivity	
SEE TABLE	SEE TABLE	2 PLC	± 0.13	PRODUCT SPEC		-		-		HEADER ASSEMBLY, CLOSED BOTTOM, 4 CIRCUIT, MINI-UNIVERSAL MATE-N-LOK	
		3 PLC	± -	APPLICATION SPEC		-		-		SIZE	CAGE CODE
		4 PLC	± -	WEIGHT		-		-		A2	00779
		ANGLES	± -	CUSTOMER DRAWING		SCALE		SHEET		1	OF 1
		FINISH	± -			5:1				REV	E1

770874