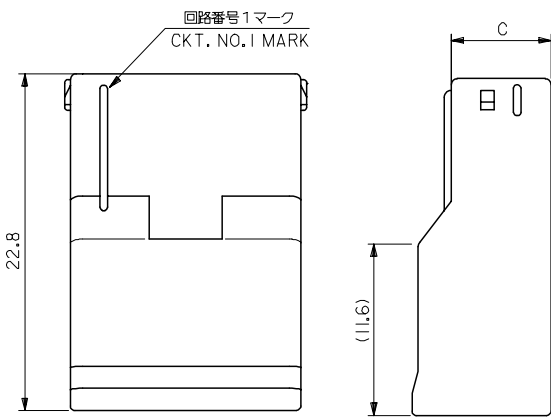
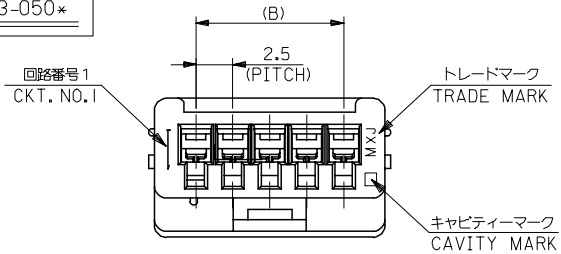
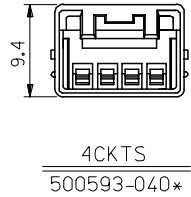
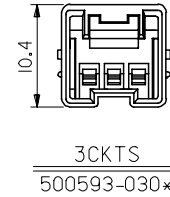
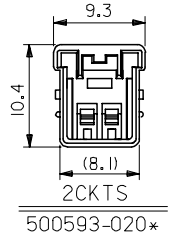


10 9 8 7 6 5 4 3 2 1

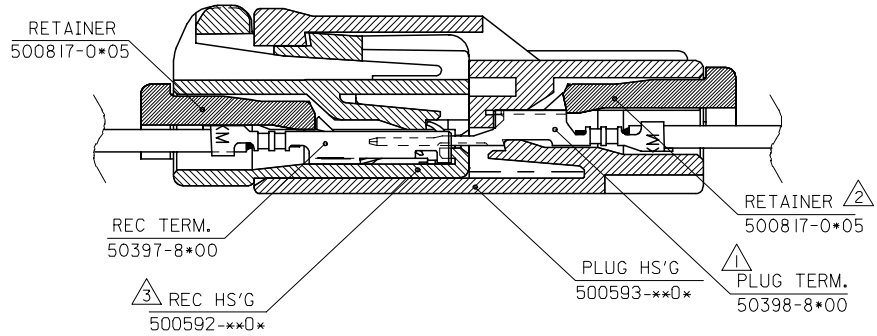
SHAPE OF
500593-050*



4種以下の極数レイアウト図
LAYOUT OF 2/3/4CKTS.



ターミナル装着状態図
TERMINAL ASSEMBLY DRAWING



注記
NOTES

- △ 適合ターミナル：50398シリーズ
APPLICABLE TERMINAL : 50398 SERIES
- △ 適合リテーナー：500817シリーズ
APPLICABLE RETAINER : 500817 SERIES
- △ 嵌合相手：500592シリーズ
MATE WITH : 500592 SERIES
- 4. 材質：PBT (UL94V-0)
MATERIAL :PBT(UL94V-0)

5. MATERIAL NO. は以下の内容を示す。
MATERIAL NO. :

500593-**0*

極数 CKT	色 COLOR
0	自然色 NATURAL
1	黒 BLACK
2	赤 RED
3	黄 YELLOW
4	青 BLUE
6	緑 GREEN

REVISED EC NO: J2006-1361 DRW: MUMEDA CHKD: TOYODA APPR: NUKITA	DESCRIPTION 2005/10/27 2005/10/27 2005/11/01	GENERAL TOLERANCES (UNLESS SPECIFIED)		DIMENSION STYLE MM ONLY		SCALE 3:1	DESIGN UNITS METRIC	500593-**0* MODEL NO.		
		10 UNDER	±0.2	DRAWN BY J. MUMEDA	DATE 2005/04/07	TITLE 2.5MM WIRE TO WIRE CONN. PLUG HOUSING		THIRD ANGLE PROJECTION		
		10 OVER 30 UNDER	±0.25	CHECKED BY K. TOYODA	DATE 2005/04/07	APPROVED BY N. UKITA		DATE 2005/04/07	MOLEX INCORPORATED	
		30 OVER	±0.3	MATERIAL NO. SEE CHART		DOCUMENT NO. SD-500593-001		SHEET NO. 1 OF 2		
ANGULAR ±3 °		DRAFT WHERE APPLICABLE MUST REMAIN WITHIN DIMENSIONS		SIZE A3		THIS DRAWING CONTAINS INFORMATION THAT IS PROPRIETARY TO MOLEX INCORPORATED AND SHOULD NOT BE USED WITHOUT WRITTEN PERMISSION				

10 9 8 7 6 5 4 3 2 1

500592-080*	500817-0805	6.75	17.5	23.1	8	500593-0806	500593-0804	500593-0803	500593-0802	500593-0801	500593-0800	500593-xx0*
↙ -070*	↙ -0705	↙ 15	20.6	7	↙ -0706	↙ -0704	↙ -0703	↙ -0702	↙ -0701	↙ -0700		
-060*	-0605	12.5	18.1	6	-0606	-0604	-0603	-0602	-0601	-0600		
-050*	-0505	10	15.6	5	-0506	-0504	-0503	-0502	-0501	-0500		
-040*	-0405	6.75	7.5	13.1	4	-0406	-0404	-0403		-0400		
-030*	-0305	7.75	5	10.6	3	-0306	-0304	-0303		-0300		
500592-020*	500817-0205	7.75	2.5	8.1	2	500593-0206	500593-0204	500593-0203	500593-0202	500593-0201	500593-0200	MODEL NO.
MATE WITH	CONFORTABLE-RETAINER	C	B	A	CKT.	GREEN	BLUE	YELLOW	RED	BLACK	NATURAL	

REVISED EC NO: J2006-1361 DRWN: NABEI 2005/10/27 CHKD: K. TOYODA 2005/10/27 APPR: NUKITA 2005/11/01	DESCRIPTION REV	GENERAL TOLERANCES (UNLESS SPECIFIED)	DIMENSION STYLE MM ONLY	SCALE 3:1	DESIGN UNITS METRIC	THIRD ANGLE PROJECTION
		10 UNDER ± 0.2 10 OVER 30 UNDER ± 0.25 30 OVER ± 0.3	DRAWN BY U. MUMEDA	DATE 2005/04/07	TITLE 2.5MM WIRE TO WIRE CONN. PLUG HOUSING	
		ANGULAR ± 3 °	CHECKED BY K. TOYODA	DATE 2005/04/07	MOLEX INCORPORATED	
		DRAFT WHERE APPLICABLE MUST REMAIN WITHIN DIMENSIONS	APPROVED BY N. UKITA	DATE 2005/04/07	MATERIAL NO. SEE CHART	DOCUMENT NO. SD-500593-001