

THIS DRAWING IS UNPUBLISHED.

RELEASED FOR PUBLICATION

-. - .

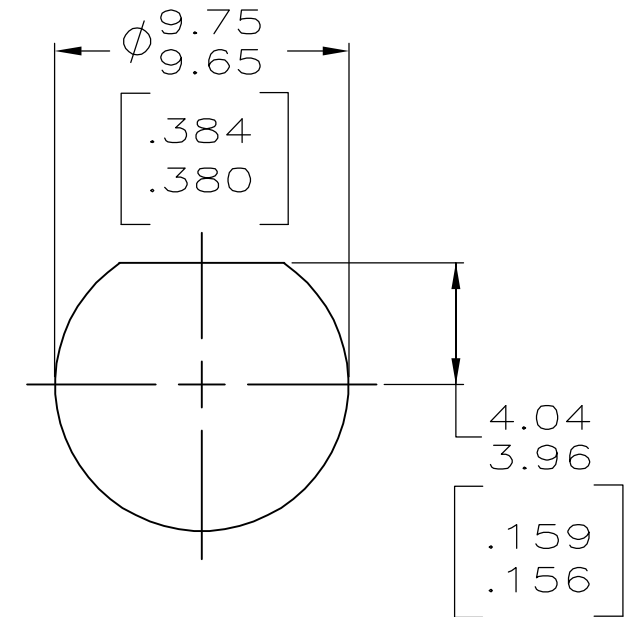
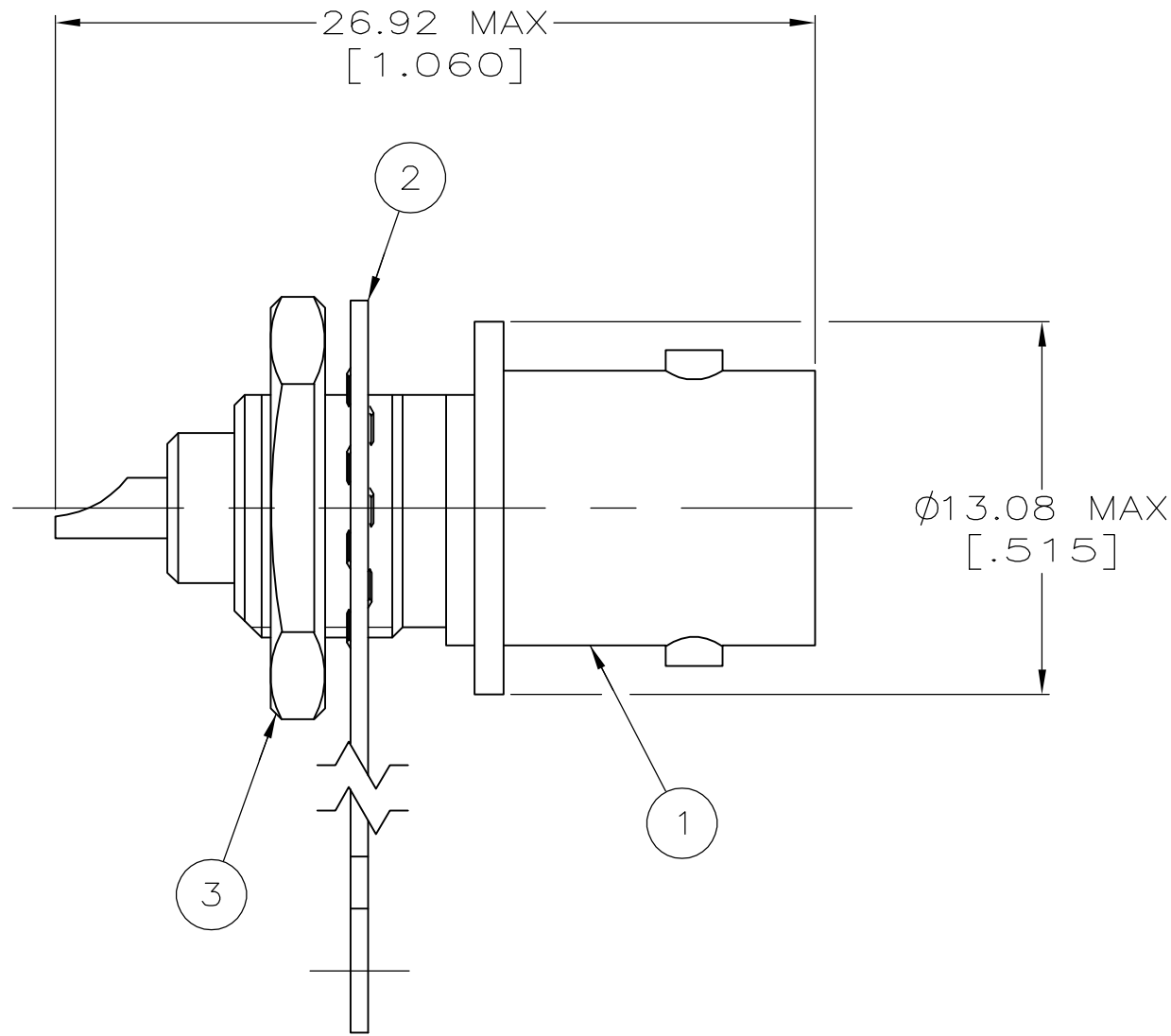
© COPYRIGHT - BY TYCO ELECTRONICS CORPORATION.

ALL RIGHTS RESERVED.

LOC
AJ
DIST
16

REVISIONS

P	LTR	DESCRIPTION	DATE	DWN	APVD
	A	REVISED PER EC OS14-0150-05	30AUG05	BM	JL



RECOMMENDED PANEL CUTOUT

1-330249-1	9-227260-0	227717-3	5227716-3
3 JAM NUT QTY=1	2 LOCKWASHER, TERMINAL QTY=1	1 JACK ASSY QTY=1	PART NUMBER

THIS DRAWING IS A CONTROLLED DOCUMENT.		DWN L. VARELA - DOCK5 21APR2005	Tyco Electronics Corporation Harrisburg, Pa 17105-3608	
DIMENSIONS: mm [INCHES]		CHK J. HAVENER 21APR2005	SOLDER JACK, SERIES BNC	
TOLERANCES UNLESS OTHERWISE SPECIFIED:		APVD J. LIPPERT 21APR2005	NAME	
0 PLC ± -		PRODUCT SPEC	-	
1 PLC ± -		APPLICATION SPEC	-	
2 PLC ± -		WEIGHT	-	
3 PLC ± -		SIZE	CAGE CODE	DRAWING NO
4 PLC ± -		A3 00779		C=5227716
ANGLES ± -		CUSTOMER DRAWING		RESTRICTED TO
FINISH		SCALE 4:1		SHEET 1 OF 1
-		REV A		