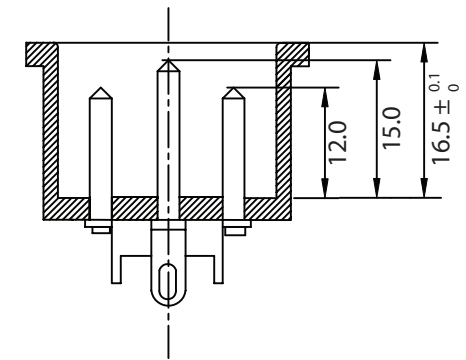
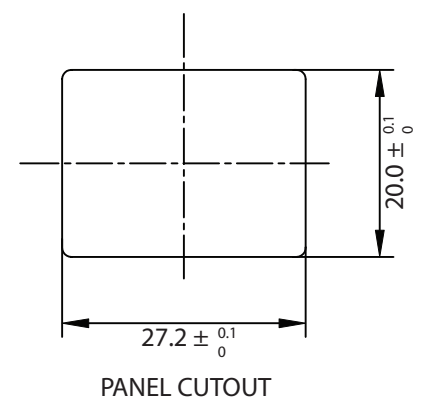
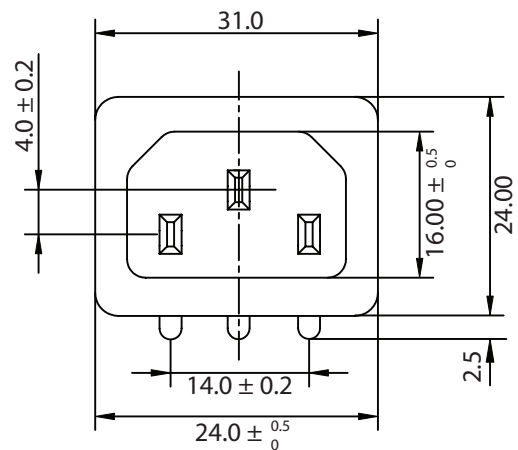
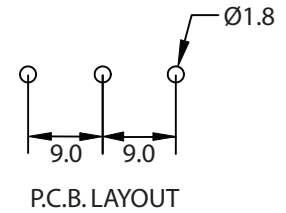
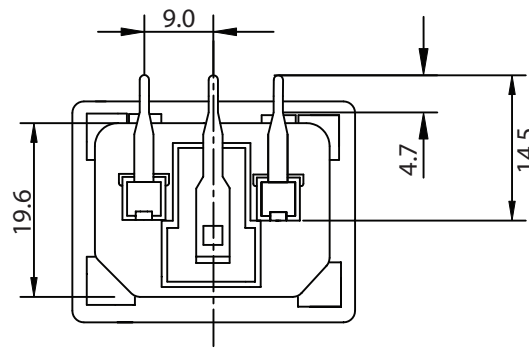
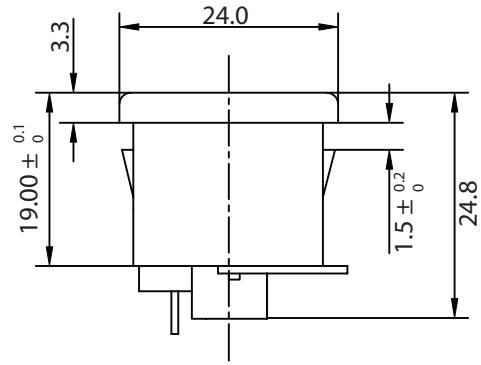


THESE DRAWINGS ARE THE PROPERTY OF QUALTEK ELECTRONICS AND NOT TO BE REPRODUCED FOR OR COMMUNICATED TO A THIRD PARTY WITHOUT THE EXPRESS WRITTEN PERMISSION OF AN OFFICER OF QUALTEK ELECTRONICS.

REVISION			
REV.	DESCRIPTION	DATE	APPROVED
B	RoHS Compliancy	06-01-06	DP
C	Updated Approvals	07-18-08	DP



NOTES:

MATERIAL:

HOUSING: THERMOPLASTIC
 TERMINAL: COPPER ALLOY

RATING:

UL, CSA: 15A 250V AC
 VDE: 10A 250V AC

INSULATION RESISTANCE: OVER 100M OHM 500V DC

DIELECTRIC STRENGTH: 2000V AC ONE MINUTE

APPROVALS: UL, CSA, VDE, CCC

PANEL THICKNESS: 1.5mm

RoHS COMPLIANT

CONTROLLED

Dim range (mm)	Tolerance +/- (mm)	Qualtek Electronics Corp. PPC DIVISION		
		Part Number:	701W-15/10	RoHS Compliant
0-1	0.15	Description: SNAP-IN POWER INLET		
1-6	0.20			
6-18	0.30		UNIT: mm	REV. C
18-50	0.50			
50-120	0.70	Drawn / Date	Checked / Date	Approved / Date
120-250	0.90	B.ZHANG 06-10-02	06-10-02	JJH / 06-10-02
250-500	1.20			