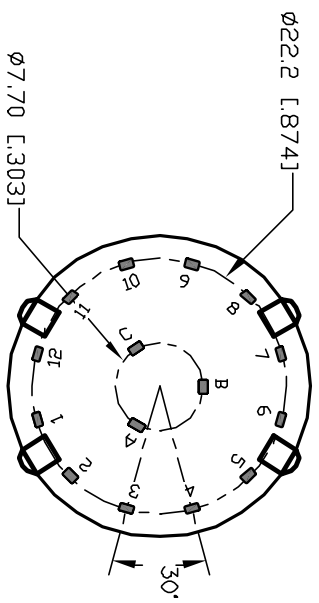
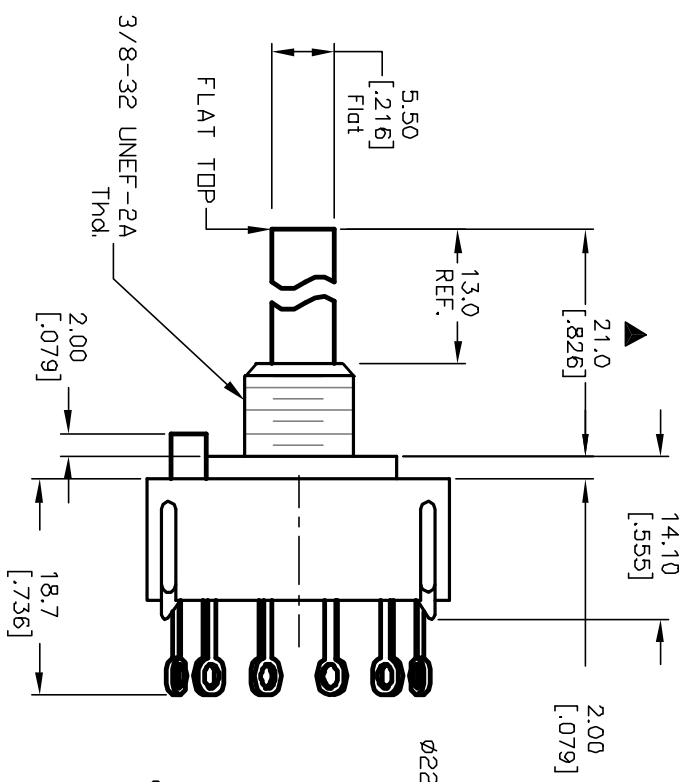
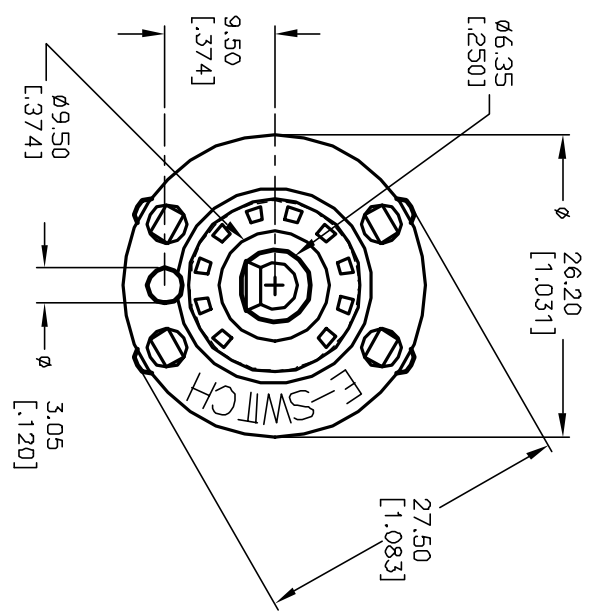
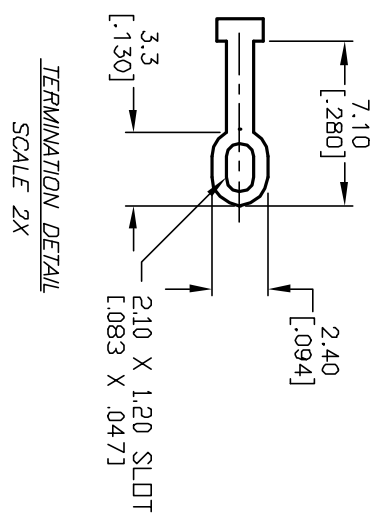
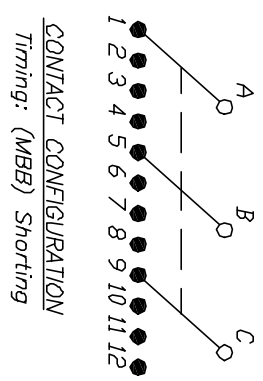


- NOTES:
1. ALL DIMENSION IN MM [INCH]
  2. GENERAL TOLERANCE: X.X=±0.4  
X.XX=±0.25
  3. TERM. NOS. FOR REF. ONLY
  4. CONTACT RATING SWITCHING: 150mA, 250V AC/DC  
350mA, 110V AC/DC
  5. OPERATING FORCE: 425±100 CM/STANDARD
  6. OPERATING TEMP: -30° to 85°C
  7. CIRCUIT 3P: 4 POSITIONS, 30° INDEX.
  8. DIELECTRIC STRENGTH: 1000V RMS min.@Sea Level
  9. DESIGNATE MAJOR DIMENSIONS
  10. SUPPLIED LOCK NUT AND WASHER (NOT SHOWN).



REV. A		12799	RELEASED	2/6/03	CJB	TITLE	SCALE	DATE	DR	DWG	REV
REV. A		ECN No.	DESCRIPTION	DATE	CHKD	KC-34-A-(13.0mm) 01-S-L-S	1.5:1	2/6/03	CJB	G510268	A
<p>THE INFORMATION CONTAINED IN THIS DOCUMENT IS PROPRIETARY TO E-SWITCH AND IS NOT TO BE COPIED OR TRANSFERRED</p>											

**E-SWITCH®**