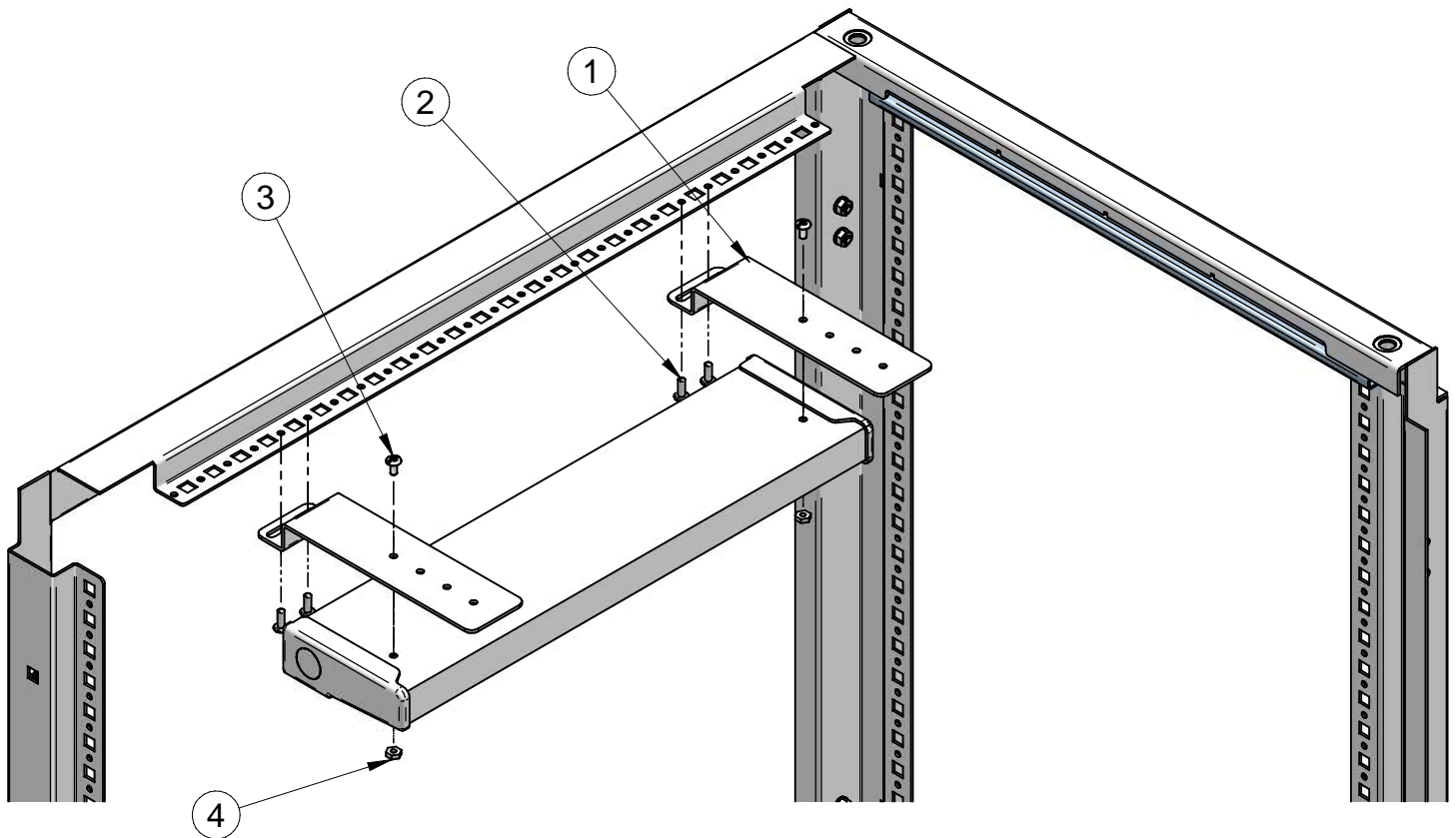


FLMTGBRK - SERIES

BUL86220

REV. A

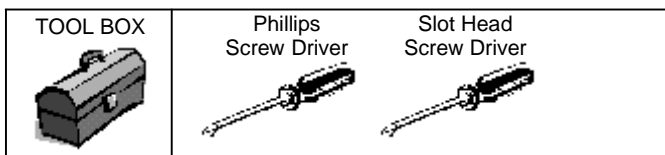


INSTRUCTIONS:

A) Install HME light kit brackets (Item 1) to the light using 10-32 screw (Item 3) and 10-32 nut (Item 4). Brackets have four holes to allow attachment of light at different positions.

B) Attach brackets to HME frame using #12 self tapping screws (Item 2) or using 1/4-20 cage nut (Item 6 not shown) and 1/4-20 screw (Item 5 not shown). Bracket to be installed on any flange surface with a square and hole pattern notchings, either front or back of HME.

ITEM	DESCRIPTION	QTY
1	HME - Light Kit Bracket	2
2	#12 Self Tapping Screws	4
3	10-32 X 3/8" Screw ZP	2
4	10-32 Keps Nut ZP	2
5	1/4-20 X 1/2" Screw ZP (Not Shown)	4
6	1/4-20 Cage Nut (Not Shown)	4



 **HAMMOND
MANUFACTURING™**
www.hammondmfg.com