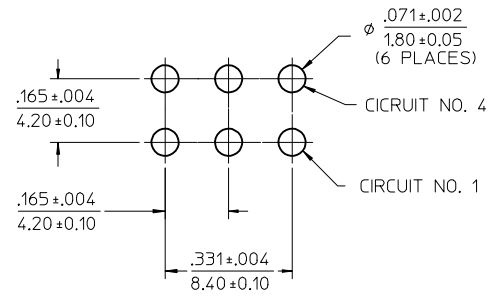
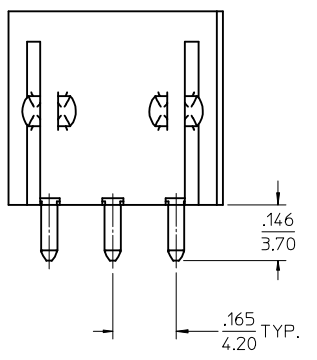


- NOTES:
- MATERIAL:
HOUSING: NYLON, UL94 V-0, COLOR: BLACK
TERMINALS: BRASS
 - FINISH (TERMINALS):
A=.000100/0.00254 MIN. MATTE TIN OVER
.000050/0.00127 MIN. NICKEL OVERALL
 - PRODUCT SPECIFICATION: PS-45558-001
 - PACKAGING: PER PK-5569-002
 - PART MATES WITH MINI-FIT JR. RECEPTACLE 455590002.
 - ALL DIMENSIONS ARE REFERENCE UNLESS OTHERWISE SPECIFIED WITH A TOLERANCE.
 - FULL RIB INDICATES CIRCUIT NO. 1.
 - PART IS NOT DESIGNED FOR CURRENT SHARING.
 - PARTS ARE NOT TO BE MATED OR UNMATED WHILE CIRCUITS ARE LIVE.
 - PART CONFORMS TO CLASS 'B' REQUIREMENTS OF COSMETIC SPECIFICATION PS-45499-002.



RECOMMENDED HOLE LAYOUT FOR
.070/1.78 MAX. THICK P.C. BOARD
VIEWED FROM COMPONENT SIDE OF BOARD



PART NUMBER	PLATING
45718-0002	SEE NOTE 2
	A

CHANGE PLATING EC NO: UCP2013-1776 DRW:BBEE 2012/11/02 CHKD:JBELL 2012/11/02 APPR:FSM/TH 2012/11/06	QUALITY SYMBOLS	GENERAL TOLERANCES (UNLESS SPECIFIED) mm INCH 4 PLACES ± --- ± --- 3 PLACES ± --- ± .010 2 PLACES ± 0.25 ± .014 1 PLACE ± 0.35 ± --- ANGULAR ± 1/2°	DIMENSION STYLE	SCALE	DESIGN UNITS	THIRD ANGLE PROJECTION	
			IN/MM	4:1	METRIC		
			DRAWN BY	DATE	TITLE 6 CKT. VERT. HDR ASSY., SPECIAL POLARIZATION, MINI-FIT JR. SERIES		
			CHECKED BY	DATE	MOLEX INCORPORATED DOCUMENT NO. SD-45718-001 SHEET NO. 1 OF 1		
		APPROVED BY	DATE	THIS DRAWING CONTAINS INFORMATION THAT IS PROPRIETARY TO MOLEX INCORPORATED AND SHOULD NOT BE USED WITHOUT WRITTEN PERMISSION			
		MATERIAL NO.					
		SIZE					