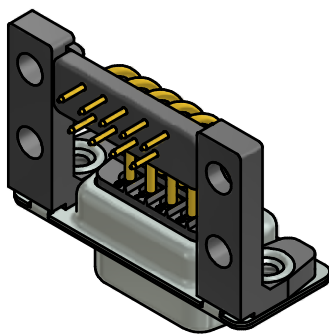
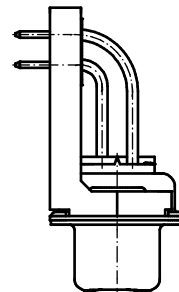
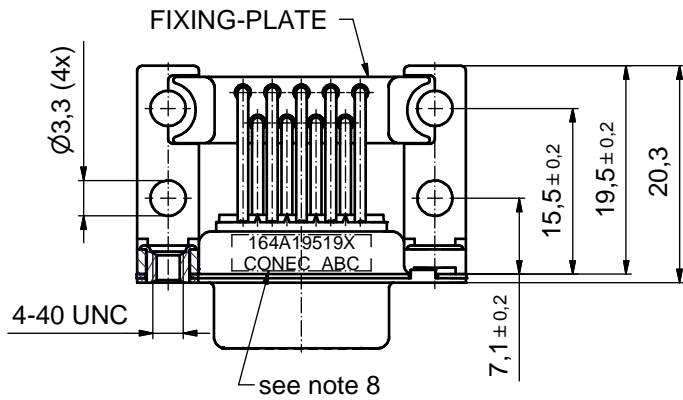
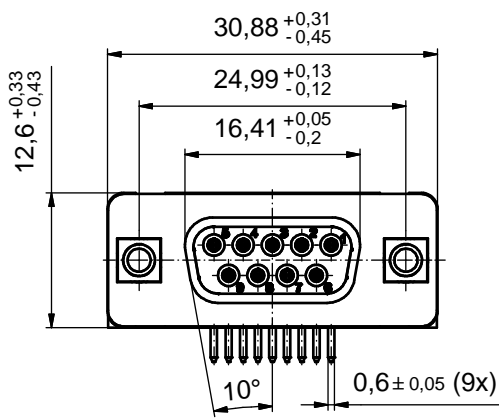
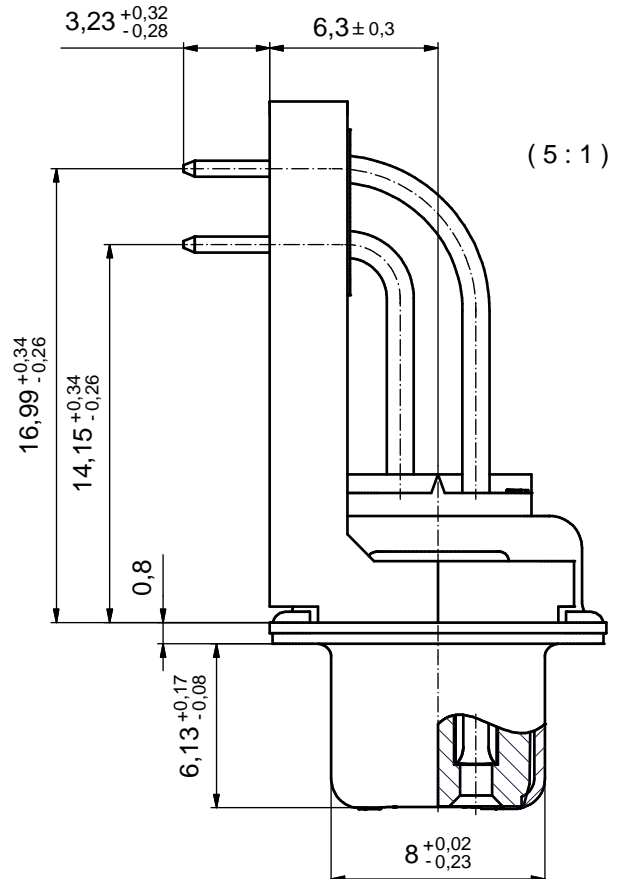
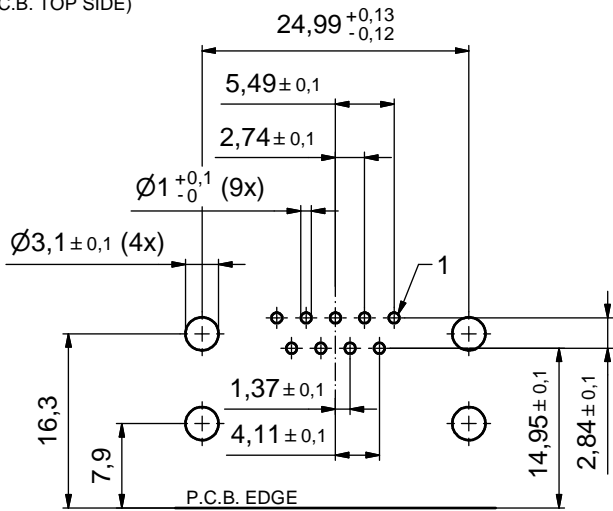


**P.C.B. HOLE DRILLINGS**  
(P.C.B. TOP SIDE)



Directive 2002/95/EC RoHS compliant

**NOTES:**

1. METALSHELLS: STEEL; min. 315µin TIN over 40-80µin NICKEL
2. INSULATORS: PBT GF UL 94 V-0; BLACK
3. CONTACTS: COPPER ALLOY  
PLATING: GOLD FLASH over NICKEL
4. PLASTIC BRACKETS: PBT GF UL 94 V-0; BLACK
5. THREADED INSERTS: COPPER ALLOY; min. 200µin TIN over 80µin NICKEL
6. FIXING-PLATE: PBT GF UL 94 V-0; BLACK
7. MAXIMUM TORQUE VALUE FOR THREAD: 6 in.LB
8. CONNECTOR IS PART MARKED: **164A19519X CONEC ABC**

THIS DRAWING MAY NOT BE COPIED OR REPRODUCED IN ANY WAY, AND MAY NOT BE PASSED ON TO A THIRD PARTY WITHOUT WRITTEN PERMISSION. OWNERSHIP AND COPYRIGHT OF CONEC GmbH DO NOT ALTER CAD DRAWING BY HAND	tolerance		dim. in mm	scale:	2:1 (5:1)
	date			material:	
	drawn	30.11.10	Schmidt	title: <b>D-SUB FEMALE 90°</b> 9pos. SOLDER PIN ANGLED 0.590inch threaded insert, plastic bracket, fixing plate	
	appd.	01.12.10	Fischer		
	norm				
rev.	a	Origin	dwg no: 16K1A2721		DIN-A3 sh: 1
description	date	name	part no: 164A19519X		

