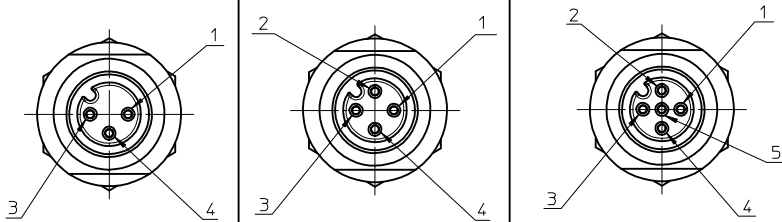


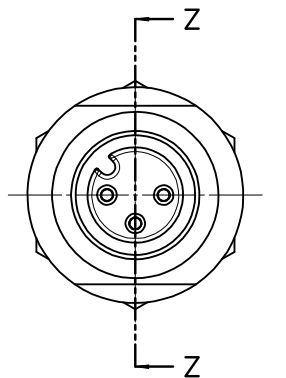
FACE VIEW - FEMALE INSERT SCALE 2 : 1



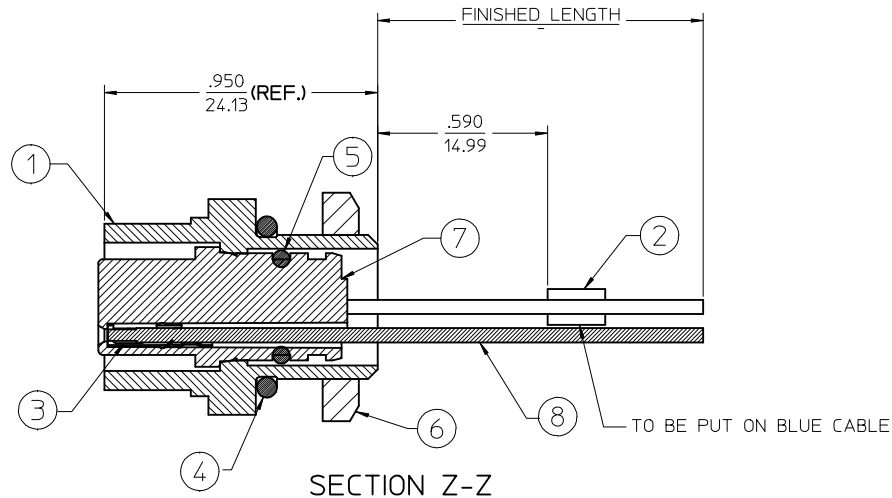
1 BROWN
3 BLUE
4 BLACK

1 BROWN
2 WHITE
3 BLUE
4 BLACK

1 BROWN
2 WHITE
3 BLUE
4 BLACK
5 GREY



FEMALE INSERT FRONT VIEW



SECTION Z-Z

FINAL ASSEMBLY
1200700056 (SHOWN)

ENTER DESCRIPTION EC NO: WEU2010-0059 DRWN: NKUMAR01 2009/08/27 CHKD: 2009/08/27 APPR: JFMURPHY 2009/08/28	QUALITY SYMBOLS ▽=0 ▽=0	GENERAL TOLERANCES (UNLESS SPECIFIED)		DIMENSION STYLE IN/MM	SCALE 2:1	DESIGN UNITS INCH	THIRD ANGLE PROJECTION	
		4 PLACES ± --- ± --- 3 PLACES ± --- ± --- 2 PLACES ± --- ± --- 1 PLACE ± --- ± ---	mm INCH	DRAWN BY: NKUMAR01 DATE: 27/08/09 CHECKED BY: BWOODMAN DATE: 27/08/09	TITLE: MIC 3P F/FR 12IN. 1/4NPT #22 P			
		ANGULAR ±1/2°		APPROVED BY: JFMURPHY DATE: 2009/08/27	MATERIAL NO. SEE SHEET 2	DOCUMENT NO. SD-120070-056		SHEET NO. 1 OF 2
		DRAFT WHERE APPLICABLE MUST REMAIN WITHIN DIMENSIONS		THIS DRAWING CONTAINS INFORMATION THAT IS PROPRIETARY TO MOLEX INCORPORATED AND SHOULD NOT BE USED WITHOUT WRITTEN PERMISSION				

FEMALE RECEPTACLE ASSEMBLY

3 POLE	4 POLE	5 POLE
--------	--------	--------

Sl. No.	DESCRIPTION	QUANTITY		
1	MIC SHELL FM M12X1 BLK 1/4NPT	1	1	1
2	LABEL,SELF L.YELLOW(2.25X.75IN)	1	1	1
3	MIC SOCKET CONTACT - PLATED	3	4	5
4	O-RING .489 ID X .070 THK	1	1	1
5	O-RING.276 ID X .059 THK ROJO	1	1	1
6	#1/4-18IN NPS LOCKNUT	1	1	1
7	MIC 3P DC FEMALE INSERT	1		
	MIC 4P DC FEMALE INSERT		1	
	MIC 5P DC FEMALE INSERT			1
8	#22-1 BLK PVC WIRE UL1061	1	1	1
	#22-1 BLU PVC WIRE UL1061	1	1	1
	#22-1 BRN PVC WIRE UL1061	1	1	1
	#22-1 WHT PVC WIRE UL1061		1	1
	#22-1 GRY PVC WIRE UL1061			1

PART NUMBER	DESCRIPTION	FINISHED LENGTH
1200700056	8R3A00A18A120	12.0" +.75" -0 [0.3M +19.1MM -0]
1200700114	8R4A00A18A120	12.0" +.75" -0 [0.3M +19.1MM -0]
1200700201	8R5A00A18A120	12.0" +.75" -0 [0.3M +19.1MM -0]]

ENTER DESCRIPTION EC NO: WEU2010-0059 DRAWN BY: DRWINAKUMAR01 2009/08/27 CHKD: 2009/08/27 APPR: JFMURPHY 2009/08/28	QUALITY SYMBOLS ▽=0 ▽=0	GENERAL TOLERANCES (UNLESS SPECIFIED)		DIMENSION STYLE IN/MM	SCALE 2:1	DESIGN UNITS INCH	THIRD ANGLE PROJECTION	
		4 PLACES ± --- ± --- 3 PLACES ± --- ± --- 2 PLACES ± --- ± --- 1 PLACE ± --- ± ---	mm INCH	DRAWN BY DATE NKUMAR01 27/08/09	TITLE MIC 3P F/FR 12IN. 1/4NPT #22 P			
		ANGULAR ±1/2°		CHECKED BY DATE BWOODMAN 27/08/09	MOLEX INCORPORATED			
		DRAFT WHERE APPLICABLE MUST REMAIN WITHIN DIMENSIONS		APPROVED BY DATE JFMURPHY 2009/08/27	MATERIAL NO. SEE CHART	DOCUMENT NO. SD-120070-056	SHEET NO. 2 OF 2	

THIS DRAWING CONTAINS INFORMATION THAT IS PROPRIETARY TO MOLEX INCORPORATED AND SHOULD NOT BE USED WITHOUT WRITTEN PERMISSION