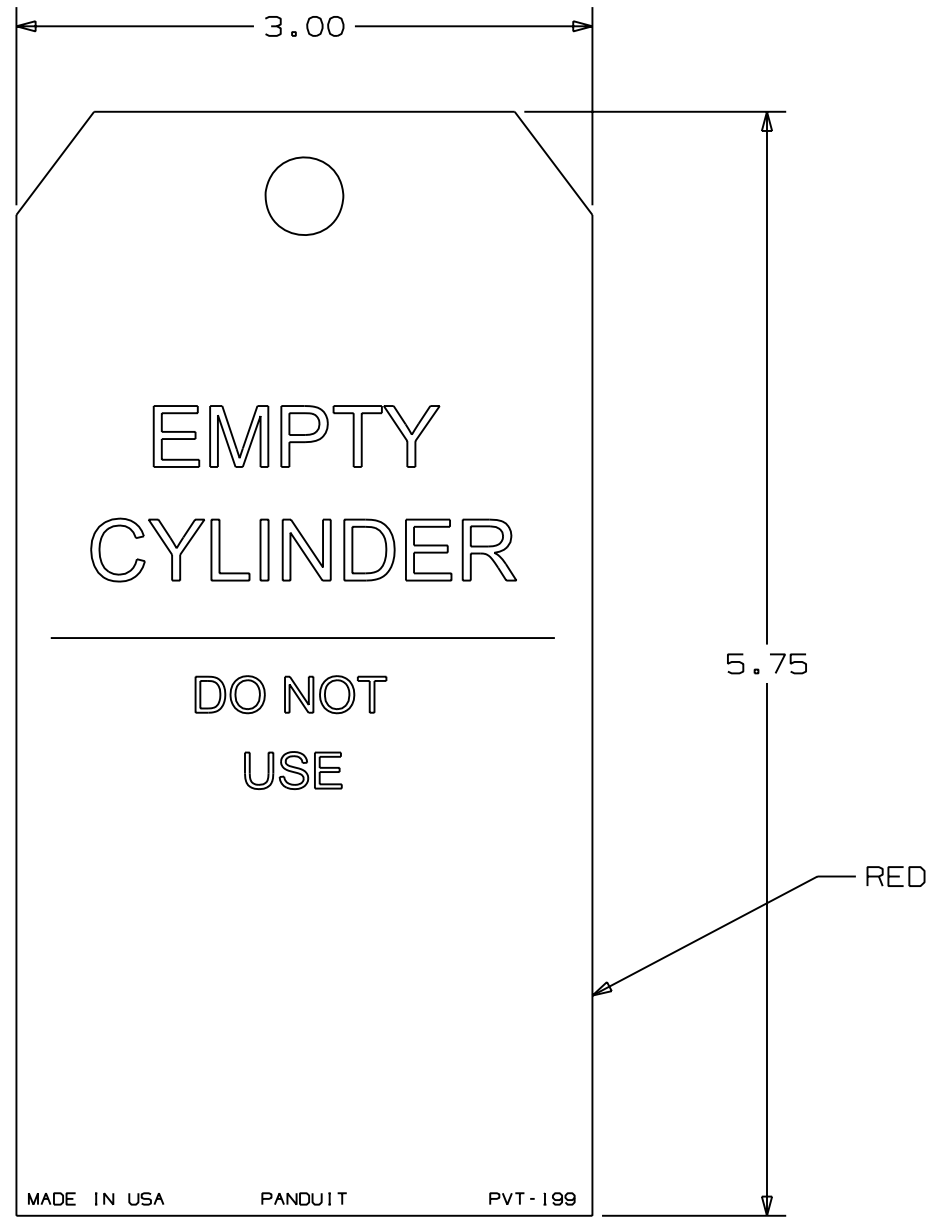
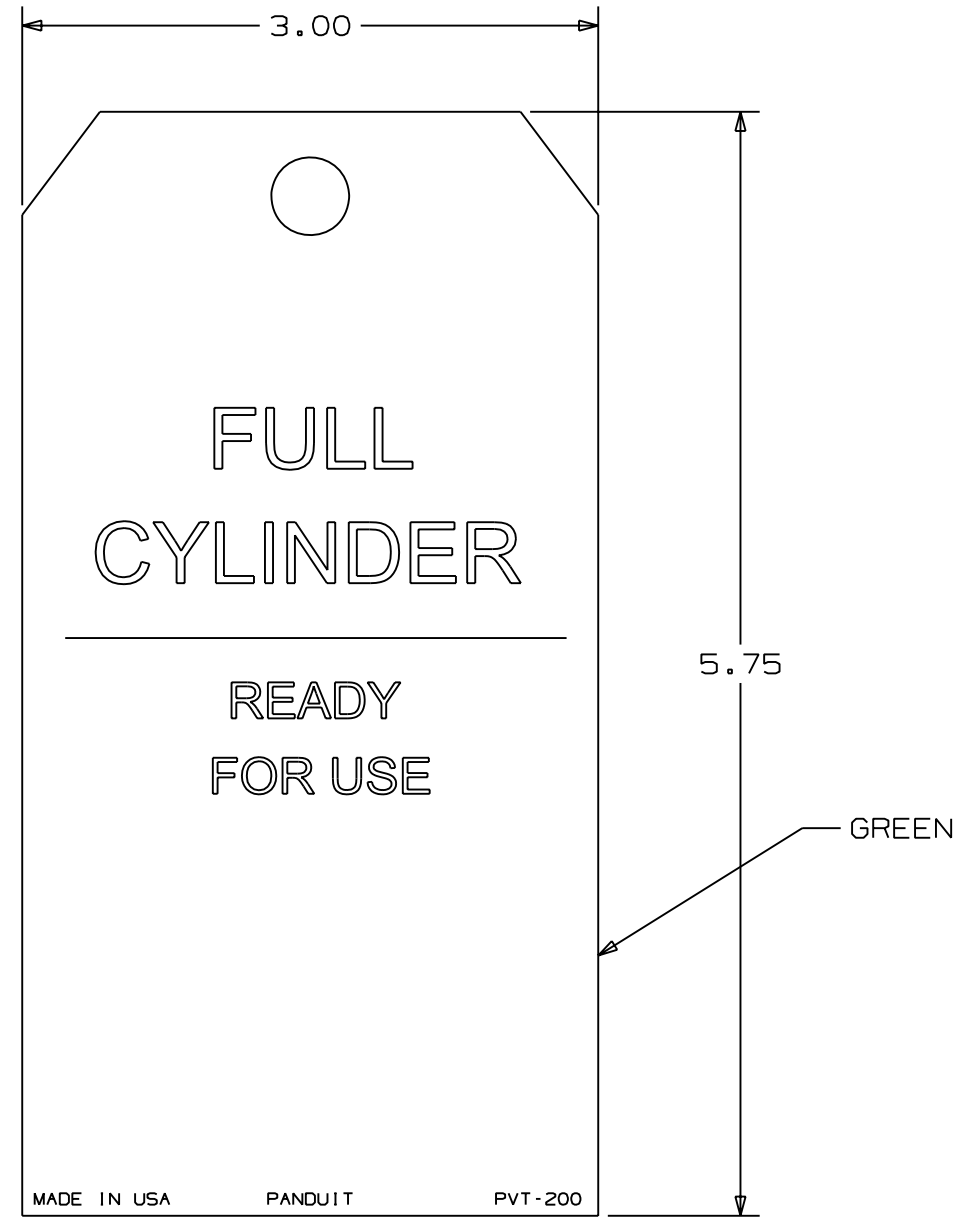


NOTE:
 1. SEE MFG. DRAWING NO. A30227.
 2. BACK OF THE TAG IS BLANK.



FRONT



FRONT

CAD FILENAME/LAYERS										100619DW_C10499_PVT-xxx_00.PRT	
										CORP. TINLEY PARK, ILLINOIS	
										CUSTOMER DRAWING PVT-199-Q AND PVT-200-Q LOCKOUT/TAGOUT	
UNLESS OTHERWISE SPECIFIED, DIMENSIONAL TOLERANCES ARE:										UNLESS OTHERWISE SPECIFIED, ALL DIMENSIONS ARE GIVEN IN INCHES, THIRD ANGLE PROJECTION	
(.X) ± X (.XXX) ± X											
(.XX) ± 1/32 ANGLES ± X											
DRAWN BY										SCALE	
RVU										NTS	
DATE										DRAWING NO.	
9-14-06										C10499	
CHK'D										DWG SIZE	
REV										B	
DATE											
BY											
CHK											
DESCRIPTION											
DRAWING RELEASE											
4659 R											
ECN - R											
CUST											
SUP											