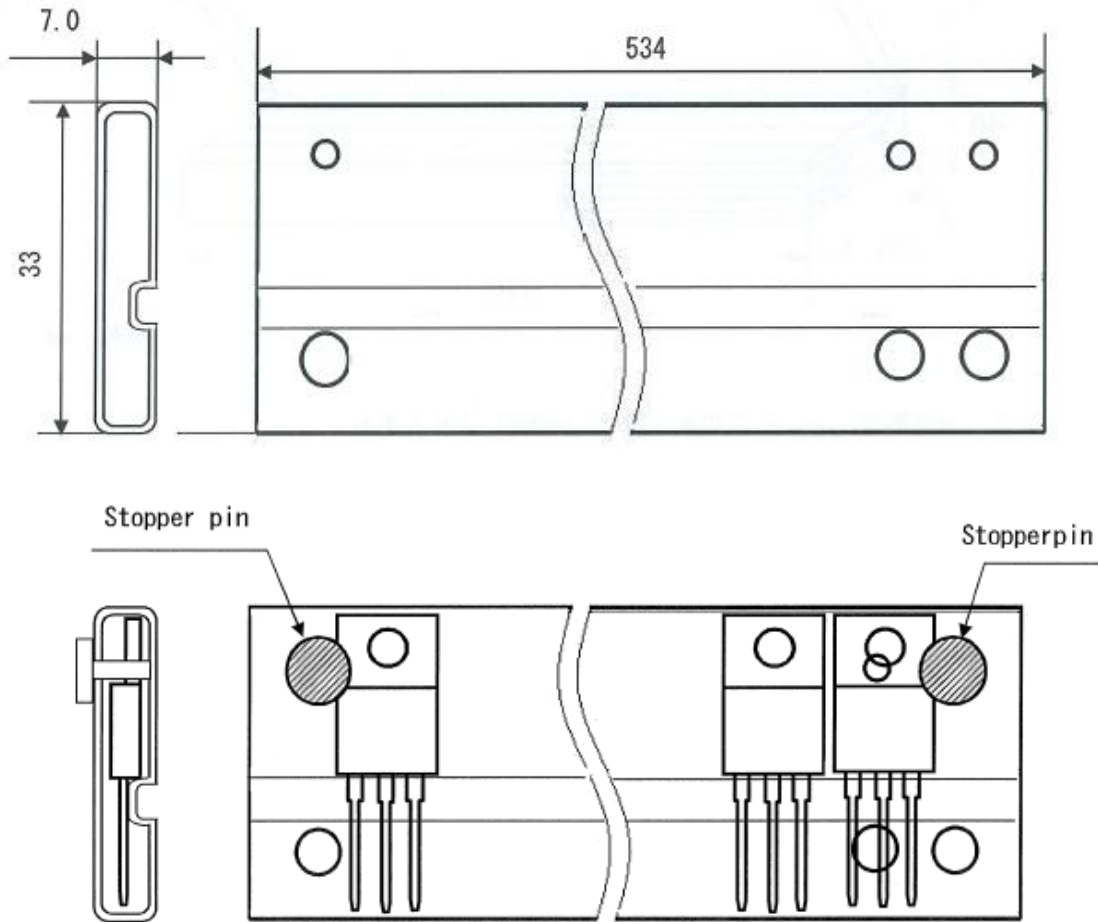


Product	SiC MOSFET	Package	TO-220AB
---------	------------	---------	----------

## 1.Packing

### 1-1 Tube dimension



Unit:mm

1-2 Tube Material: PS + Antistatic Treated

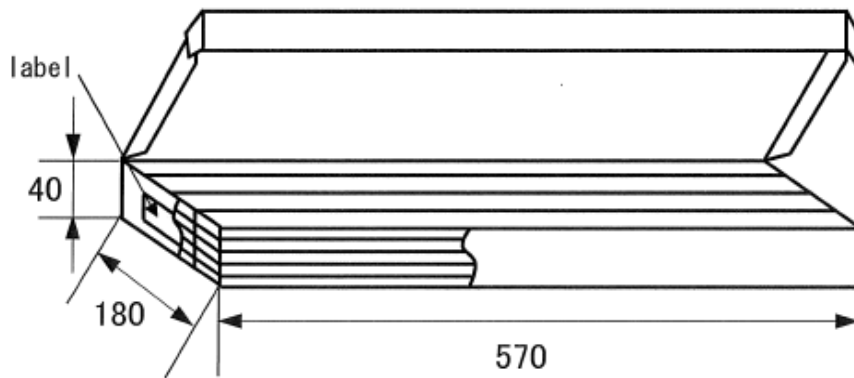
1-3 Packing Amount : 50 pcs in Tube

# Packing

---

## 2.Inner Box

### 2-1 Inner Box Dimension



Unit : mm

2-2 Amount in the Inner Box : 20 Tube (Product 1 000 pcs)