

THIS DRAWING IS UNPUBLISHED.

RELEASED FOR PUBLICATION

20

© COPYRIGHT 20 BY -

ALL RIGHTS RESERVED.

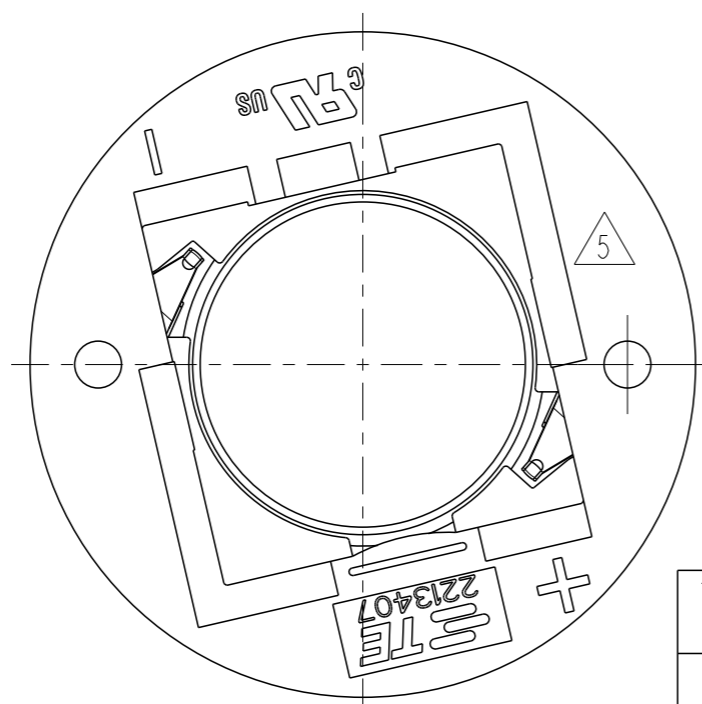
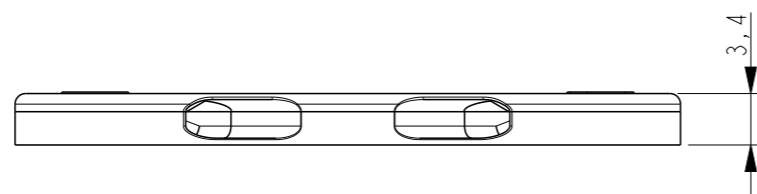
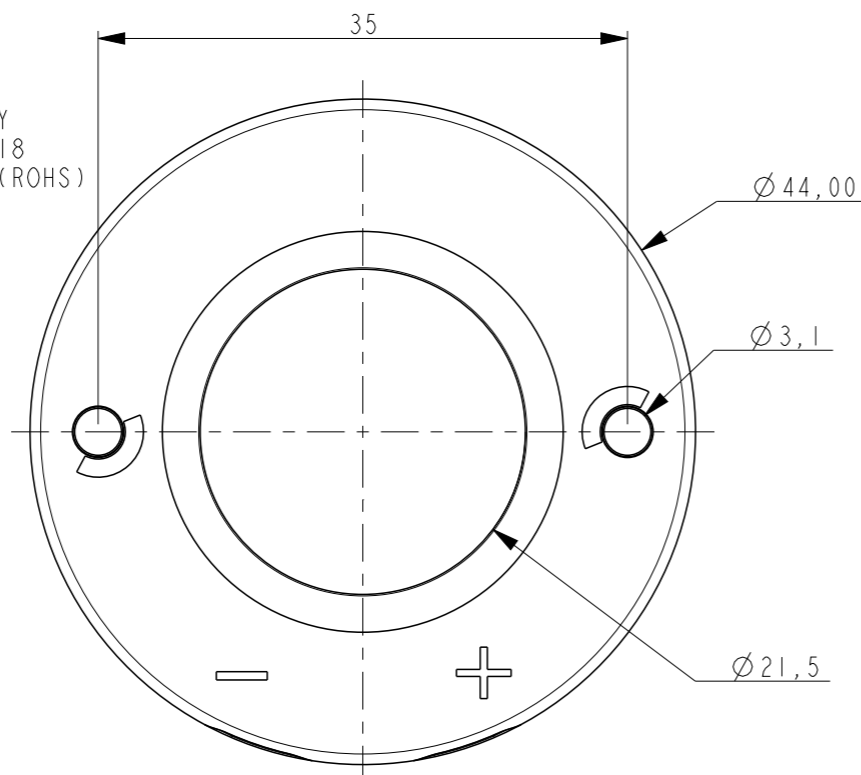
REVISIONS

P	LTR	DESCRIPTION	DATE	DWN	APVD
	A	RELEASED PER ECR-14-006473	01MAY2014	AB	OL
	A1	UPDATED PER ECR-14-006733	07MAY2014	AB	OL
	A2	ECR-16-001206	27JAN2016	KR	MvE
	B	ADDED LED TYPES TABLE	03NOV2016	RK	MvE

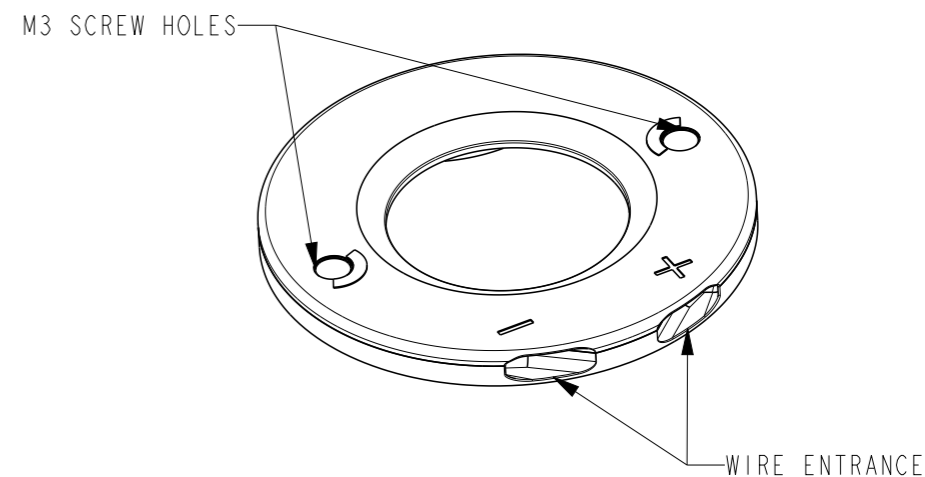
NOTES:

- MATERIALS:
HOUSING: GLASS FILLED PBT
COLOR : NATURAL/WHITE
CONTACTS: SILVER PLATED COPPER ALLOY
- FOR SOLID AND STRANDED WIRE AWG 22-18
- COMPLIES WITH DIRECTIVE 2002/95/EC (ROHS)
- M3 SCREW TO BE USED FOR MOUNTING

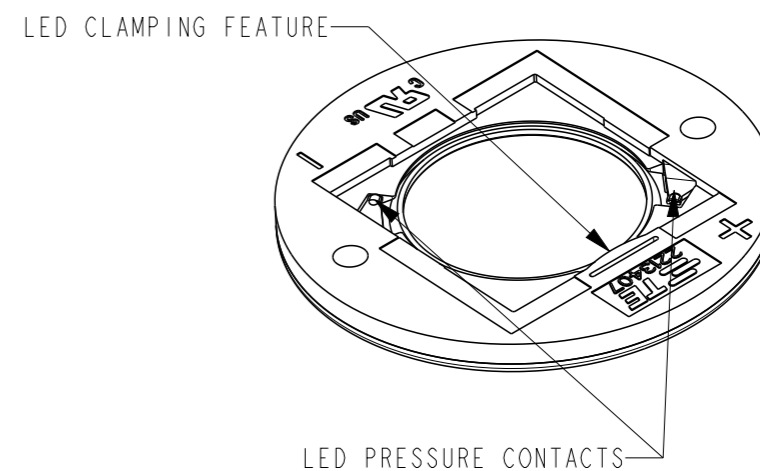
5 DATE CODE YY-WW-D ANY WHERE EXCEPT OVER LOGO OR +/- SIGN.



2213407-1 AS SHOWN
LUMAWISE LED HOLDER Z50 LOW PROFILE



SCALE 3:2



LUMAWISE LED HOLDER Z50 STANDARD PROFILE 2424	2213407-2
LUMAWISE LED HOLDER Z50 LOW PROFILE 2424	2213407-1
DESCRIPTION	PART NO

THIS DRAWING IS A CONTROLLED DOCUMENT.

DIMENSIONS:	TOLERANCES UNLESS OTHERWISE SPECIFIED:
mm	
	0 PLC ±-
	1 PLC ±-
	2 PLC ±-
	3 PLC ±-
	4 PLC ±-
	ANGLES ±-
MATERIAL	FINISH
-	-
-	-

DWN	P. POORTER	18NOV2013
CHK	O. LEIJNSE	19NOV2013
APVD	O. LEIJNSE	-
PRODUCT SPEC	108-133008	
APPLICATION SPEC	114-32048	
WEIGHT	-	
CUSTOMER DRAWING		

STE TE Connectivity			
NAME LUMAWISE LED HOLDER Z50 2424			
SIZE	CAGE CODE	DRAWING NO	RESTRICTED TO
A3	-	C-2213407	-
SCALE 2:1		SHEET 1 OF 3	REV B

THIS DRAWING IS UNPUBLISHED.

RELEASED FOR PUBLICATION

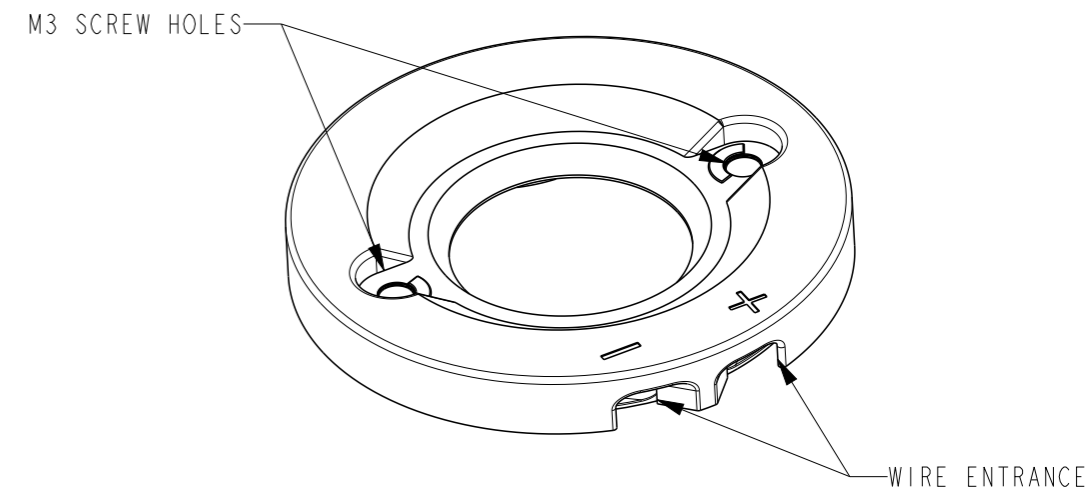
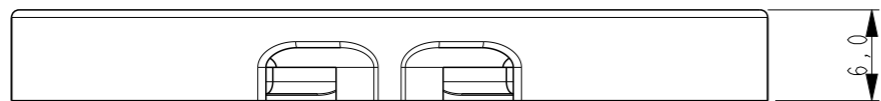
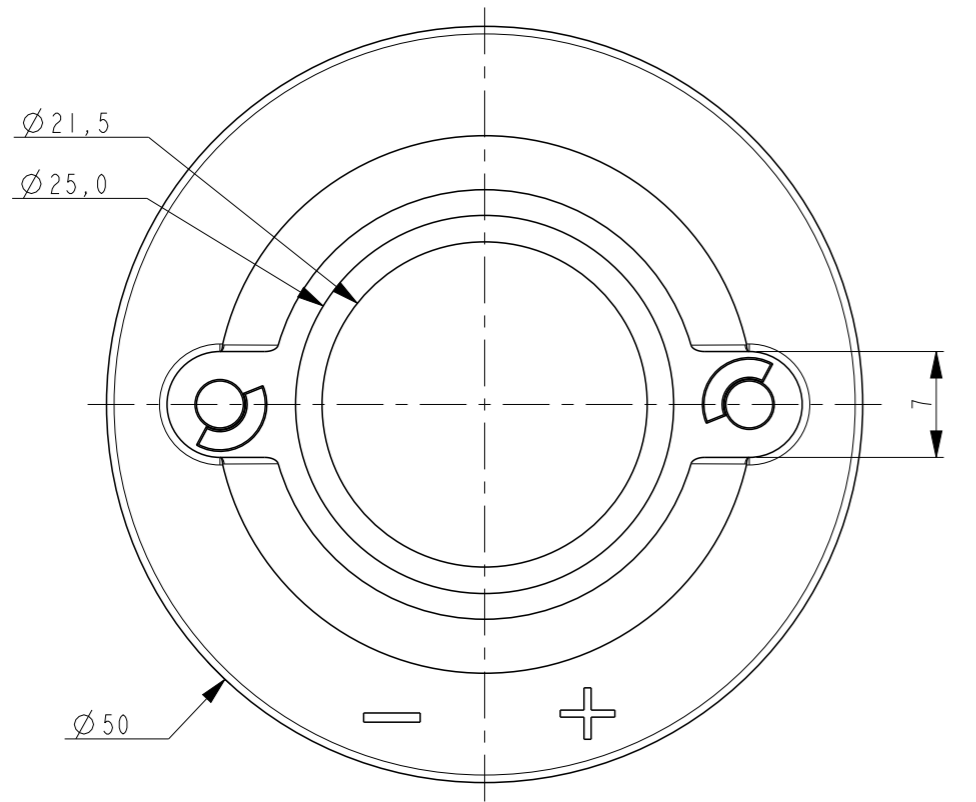
20

© COPYRIGHT 20 BY -

ALL RIGHTS RESERVED.

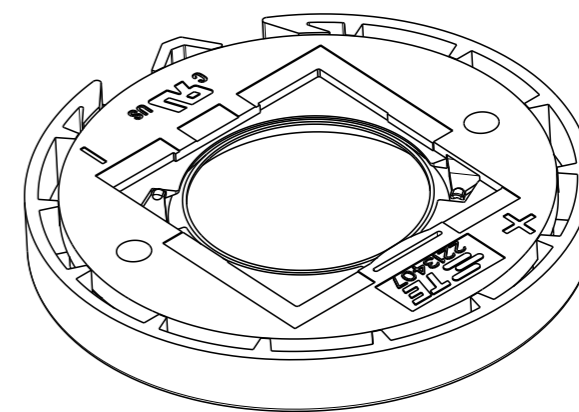
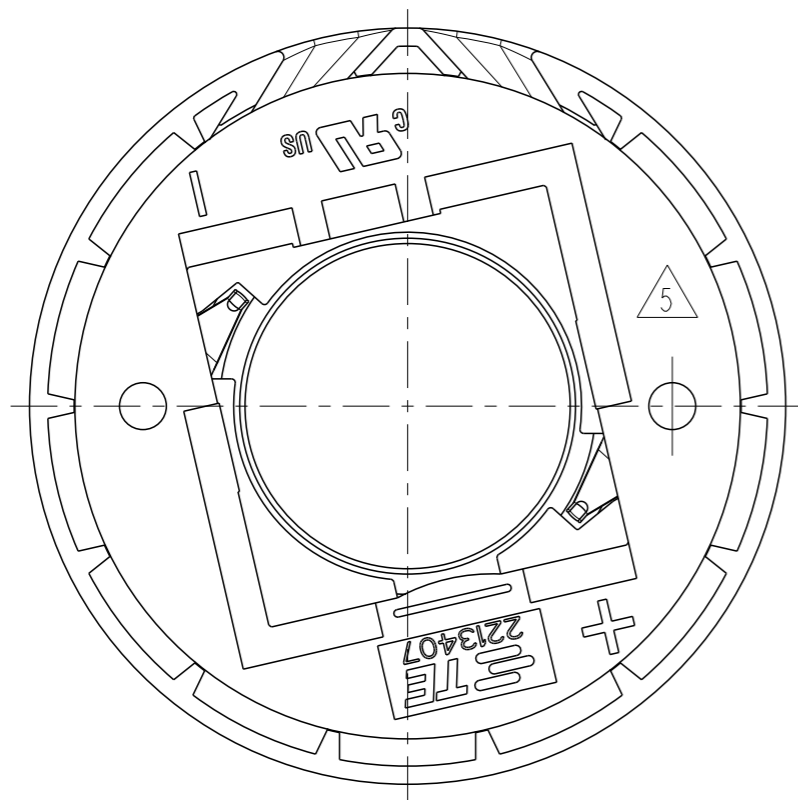
REVISIONS

P	LTR	DESCRIPTION	DATE	DWN	APVD
-	-	SEE SHEET 1	-	-	-



SCALE 3:2

2213407-2 AS SHOWN
LUMAWISE LED HOLDER Z50 STANDARD PROFILE



THIS DRAWING IS A CONTROLLED DOCUMENT.

DWN P. POORTER 18NOV2013

CHK O. LEIJNSE 19NOV2013

APVD O. LEIJNSE

PRODUCT SPEC 108-133008

APPLICATION SPEC 114-32048

WEIGHT -

CUSTOMER DRAWING



TE Connectivity

NAME LUMAWISE LED HOLDER Z50 2424

SIZE A3 CAGE CODE - DRAWING NO C-2213407 RESTRICTED TO -

SCALE 2:1 SHEET 2 OF 3 REV B

DIMENSIONS:	TOLERANCES UNLESS OTHERWISE SPECIFIED:
mm	
	0 PLC ±-
	1 PLC ±-
	2 PLC ±-
	3 PLC ±-
	4 PLC ±-
	ANGLES ±-
MATERIAL -	FINISH -
-	-

4

3

2

1

THIS DRAWING IS UNPUBLISHED.

RELEASED FOR PUBLICATION

20

© COPYRIGHT 20

BY -

ALL RIGHTS RESERVED.

REVISIONS

P	LTR	DESCRIPTION	DATE	DWN	APVD
	-	SEE SHEET 1	-	-	-

THE SKETCH BELOW IS SHOWING THE NOMINAL LED COB DIMENSIONS TO MATCH WITH THE Z50 LED HOLDER 2424 FOR TECHNICAL DETAILS ABOUT A PROPER MATCH WITH A SPECIFIC LED COB ARRAY PLEASE CONTACT A REPRESENTATIVE AT TE-CONNECTIVITY

CONTACT POINT

Ø 20,5

24

18,65

18,65

24

0.95 - 1.15

SCALE 4:1

FOLLOWING LED TYPES ARE RELEASED FOR THIS HOLDER	DATA SHEET
Cree CXA 25xx	CLD-DS67
Cree CXB 2540	CLD-DS123
Osram s19	GWKAHQB2.EM

THIS DRAWING IS A CONTROLLED DOCUMENT.

DWN P. POORTER 18NOV2013

CHK O. LEIJNSE 19NOV2013

APVD O. LEIJNSE -

PRODUCT SPEC

108-133008

APPLICATION SPEC

114-32048

WEIGHT -

CUSTOMER DRAWING

TE Connectivity

NAME LUMAWISE LED HOLDER Z50 2424

SIZE	CAGE CODE	DRAWING NO	RESTRICTED TO
A3	-	©-2213407	-

SCALE	SHEET	OF	REV
2:1	3	3	B

DIMENSIONS:

mm

TOLERANCES UNLESS OTHERWISE SPECIFIED:

0 PLC	±-
1 PLC	±-
2 PLC	±-
3 PLC	±-
4 PLC	±-
ANGLES	±-

MATERIAL

-

FINISH

-

1470-19 (3/13)