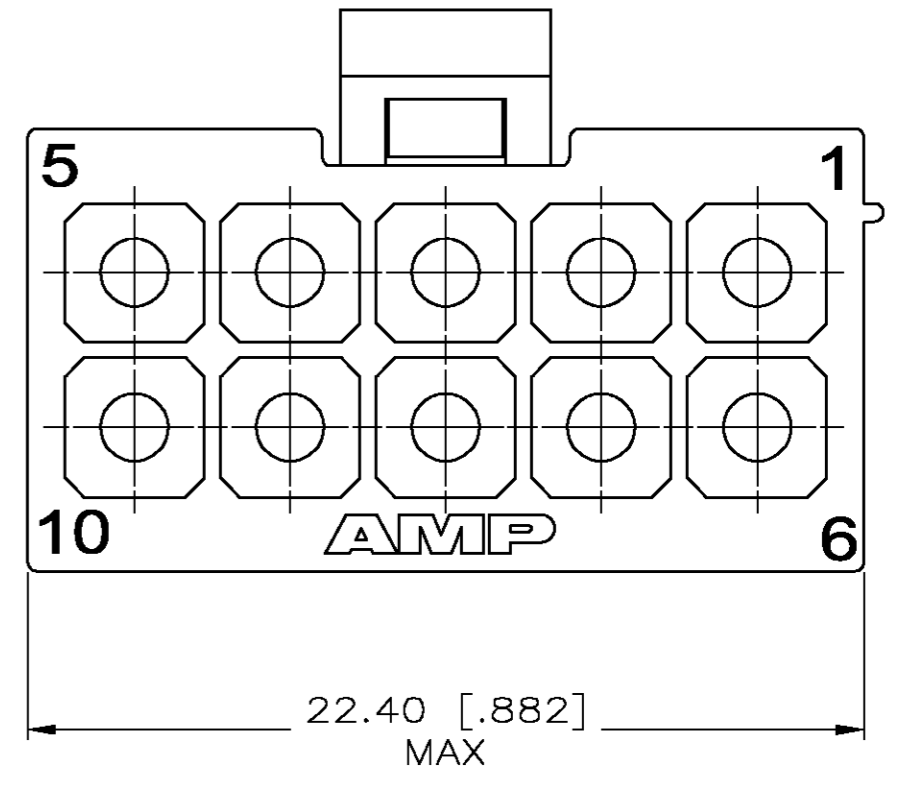
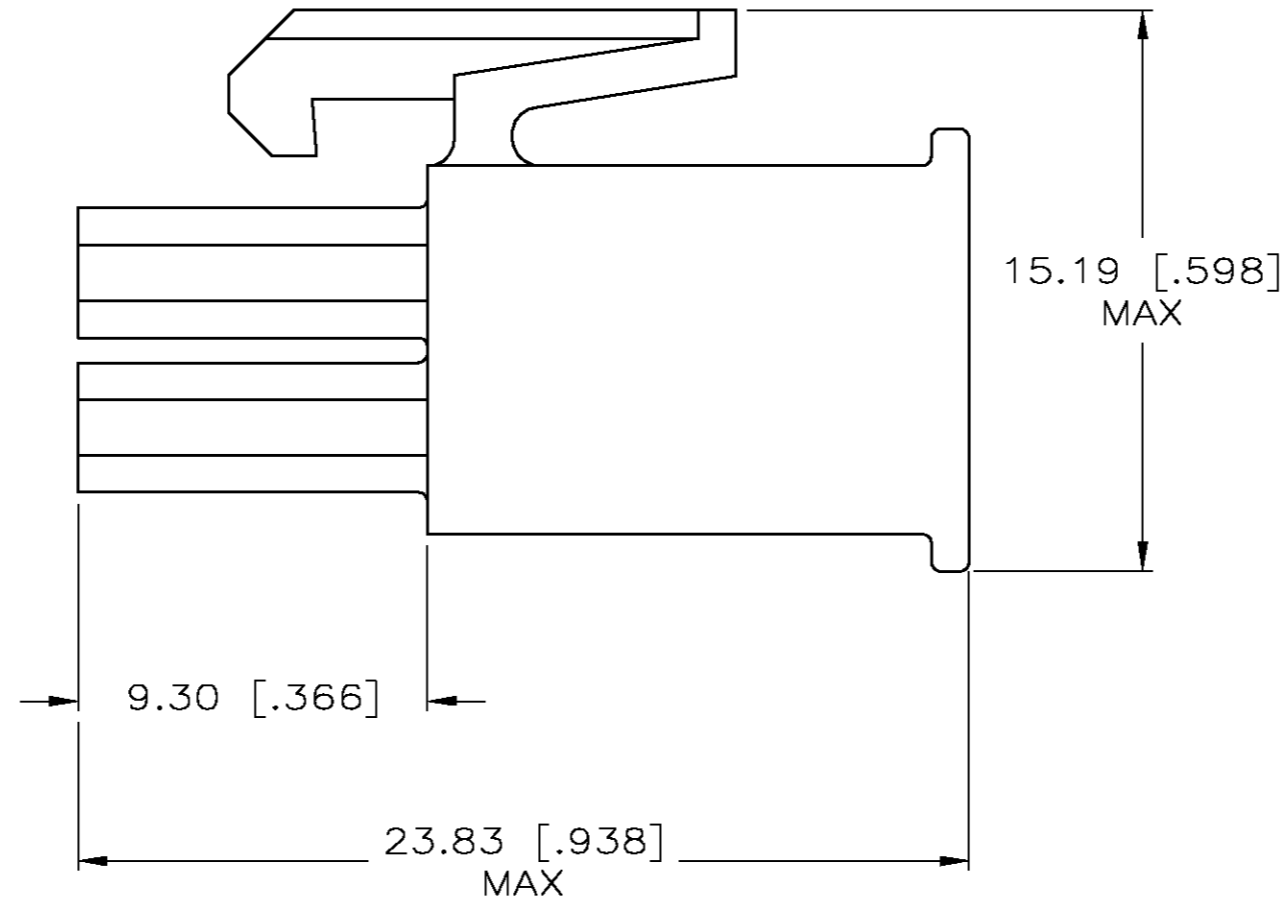
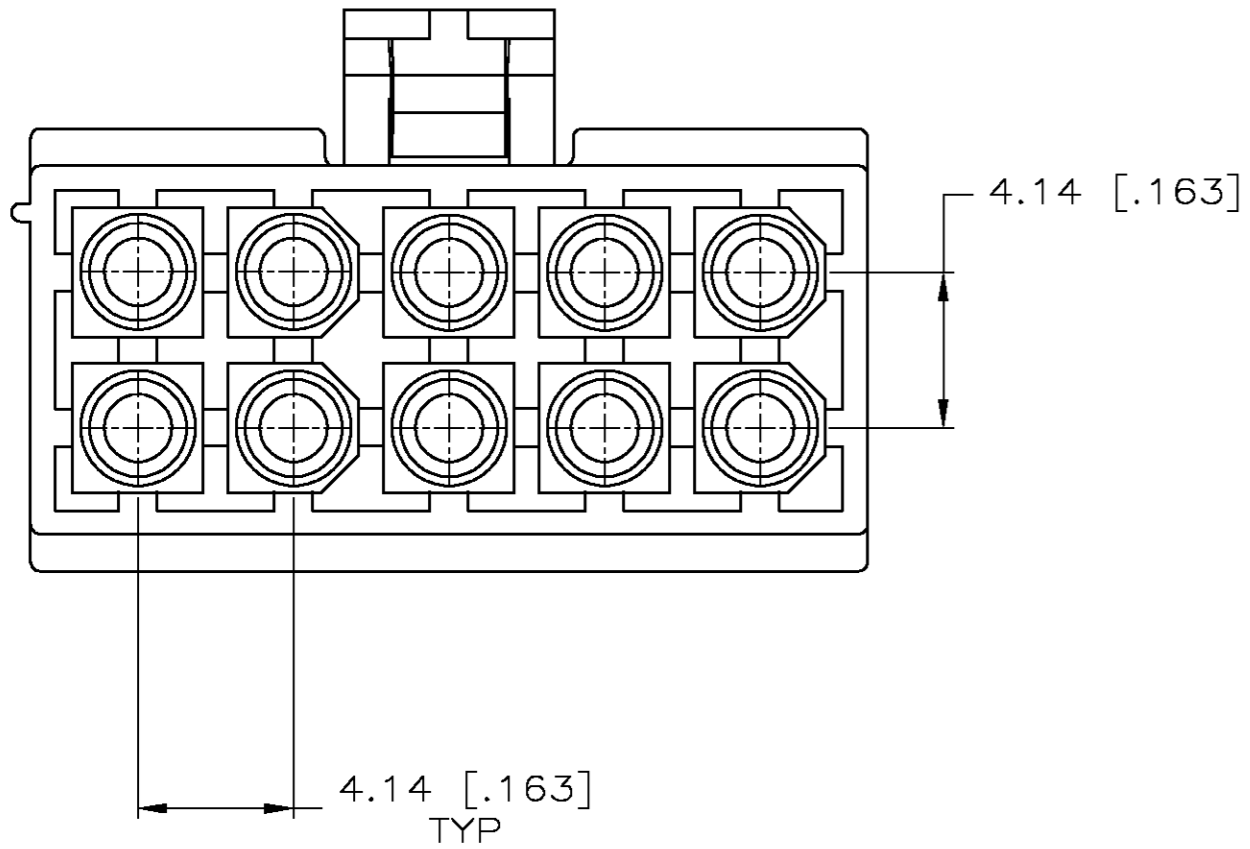


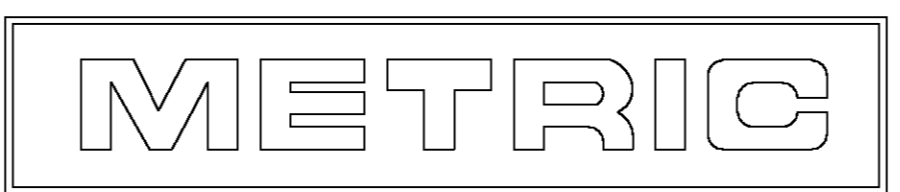
THIS DRAWING IS UNPUBLISHED. RELEASED FOR PUBLICATION
 © COPYRIGHT BY TYCO ELECTRONICS CORPORATION. ALL RIGHTS RESERVED.

LOC	DIST	REVISIONS			
P	LTR	DESCRIPTION	DATE	DWN	APVD
CM	00				
	E	REVISED PER 0G3B-0960-04	22-NOV-04	KW	CJ

1. INDIVIDUAL CORING FEATURES AROUND BASES OF SILOS MAY NOT BE PRESENT IN ALL LOCATIONS SHOWN.



770580-1
PART NUMBER



THIS DRAWING IS A CONTROLLED DOCUMENT.		DWN S. HOOVER 12-MAY-2004	Tyco Electronics Corporation Harrisburg, Pa 17105-3608	
DIMENSIONS: mm [INCHES]	TOLERANCES UNLESS OTHERWISE SPECIFIED:	CHK C. JONES 12-MAY-2004	NAME	
	0 PLC ±	APVD C. JONES 12-MAY-2004	PRODUCT SPEC	
	1 PLC ±	APPLICATION SPEC		
	2 PLC ±	WEIGHT		
	3 PLC ± 0.13 [.005]	SIZE CAGE CODE DRAWING NO RESTRICTED TO		
	4 PLC ±	A2 00779 C-770580		
	ANGLES ±	CUSTOMER DRAWING SCALE 5:1 SHEET 1 OF 1 REV E		
	FINISH			
MATERIAL NYLON, UL 94V-0 WHITE				