

NOTES:

1. MATERIAL:  
BODY - BRONZE (GUN METAL)  
SCREW - STEEL, ZINC PLATED
2. PARTS ARE cULus LISTED TO UL467 AS  
GROUNDING & BONDING EQUIPMENT.
3. SEE WWW.PANDUIT.COM FOR PART NUMBER  
SUFFIX DESIGNATION FOR PACKAGE SIZE.

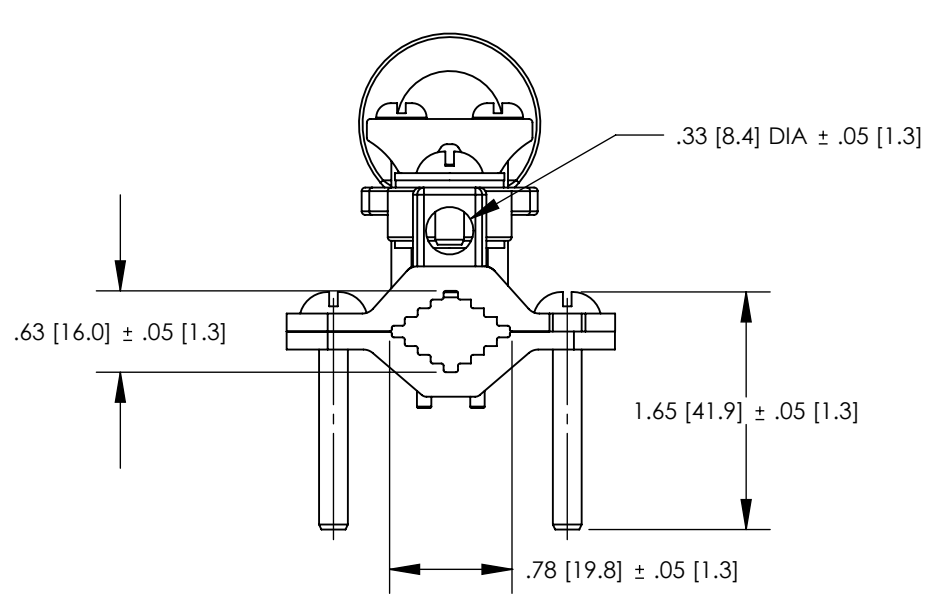
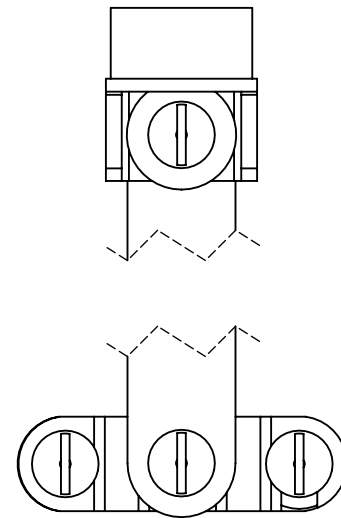
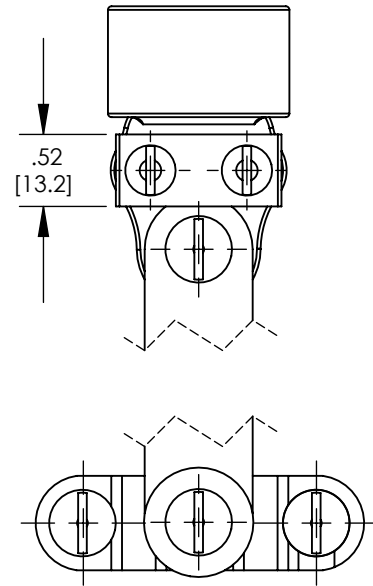


FIGURE 1

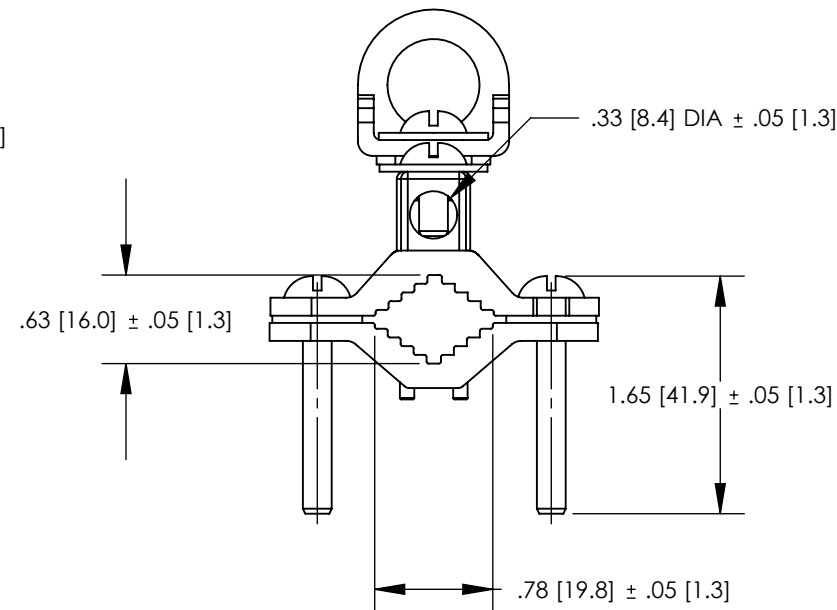


FIGURE 2

PART NUMBER	FIGURE	DESCRIPTION	WATER PIPE	GROUNDING WIRE
GPCS4-1-12	2	GROUND CLAMPS FOR RIGID CONDUIT WITH CU STRAP REG. 1/2 HUB	1/2" - 1"	8 - 4 STR
GPCS4-2-12	2	GROUND CLAMPS FOR RIGID CONDUIT WITH CU STRAP REG. 3/4 HUB	1/2" - 1"	8 - 4 STR
GPCS4-4-12	2	GROUND CLAMPS FOR RIGID CONDUIT WITH CU STRAP REG. 1 HUB	1/2" - 1"	8 - 4 STR
GPCSG4-1-12	1	GROUND CLAMPS FOR RIGID CONDUIT WITH CU STRAP REG. 1/2 360 DEG HUB	1/2" - 1"	8 - 4 STR
GPCSG4-2-12	1	GROUND CLAMPS FOR RIGID CONDUIT WITH CU STRAP REG. 3/4 360 DEG HUB	1/2" - 1"	8 - 4 STR
GPCSG4-4-12	1	GROUND CLAMPS FOR RIGID CONDUIT WITH CU STRAP REG. 1 360 DEG HUB	1/2" - 1"	8 - 4 STR

REV	DATE	BY	CHK	APR	DESCRIPTION	ECN
01	8/12	JHNU	SRBI	RGB	REVISED P/N'S: GPCS4-1-12 WAS GPCW4-1-12, GPCS4-2-12 WAS GPCW4-2-12, GPCS4-4-12 WAS GPCW4-4-12	10J018AS-JC
00	7/12	JHNU	SRBI	RGB	DRAWING RELEASED	10J018AS-JC

TITLE		BRONZE GROUND PIPE CLAMP - 1/2" - 1" WITH COPPER STRAP CUSTOMER DRAWING		
ITEM REVISION NAME	10J018AS/01			
DATASET FILE NAME	10J018AS-JC/01.SLDDRW			
UNLESS OTHERWISE SPECIFIED, DIMENSIONAL TOLERANCES ARE: IN [mm]		MATERIAL		
.X ±	.XXX ±	SEE NOTES		
.XX ±	ANGLES ±	DRAWING NUMBER 10J018AS-JC		
THIRD ANGLE PROJECTION		SHEET 1 OF 1		
DRAWN BY	DATE	CHK	SCALE	SIZE
JHNU	7/12	SRBI	N/A	B