

# **TC74 Serial Temperature Sensor Demo Board User's Guide**

---

**Note the following details of the code protection feature on Microchip devices:**

- Microchip products meet the specification contained in their particular Microchip Data Sheet.
- Microchip believes that its family of products is one of the most secure families of its kind on the market today, when used in the intended manner and under normal conditions.
- There are dishonest and possibly illegal methods used to breach the code protection feature. All of these methods, to our knowledge, require using the Microchip products in a manner outside the operating specifications contained in Microchip's Data Sheets. Most likely, the person doing so is engaged in theft of intellectual property.
- Microchip is willing to work with the customer who is concerned about the integrity of their code.
- Neither Microchip nor any other semiconductor manufacturer can guarantee the security of their code. Code protection does not mean that we are guaranteeing the product as "unbreakable."

Code protection is constantly evolving. We at Microchip are committed to continuously improving the code protection features of our products.

---

Information contained in this publication regarding device applications and the like is intended through suggestion only and may be superseded by updates. It is your responsibility to ensure that your application meets with your specifications. No representation or warranty is given and no liability is assumed by Microchip Technology Incorporated with respect to the accuracy or use of such information, or infringement of patents or other intellectual property rights arising from such use or otherwise. Use of Microchip's products as critical components in life support systems is not authorized except with express written approval by Microchip. No licenses are conveyed, implicitly or otherwise, under any intellectual property rights.

**Trademarks**

The Microchip name and logo, the Microchip logo, KEELOQ, MPLAB, PIC, PICmicro, PICSTART and PRO MATE are registered trademarks of Microchip Technology Incorporated in the U.S.A. and other countries.


FilterLab, microID, MXDEV, MXLAB, PICMASTER, SEEVAL and The Embedded Control Solutions Company are registered trademarks of Microchip Technology Incorporated in the U.S.A.

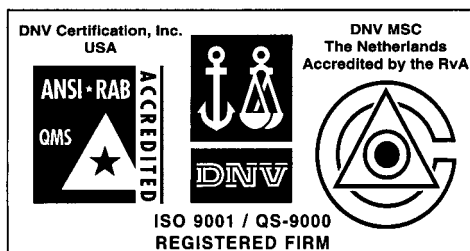
dsPIC, dsPICDEM.net, ECONOMONITOR, FanSense, FlexROM, fuzzyLAB, In-Circuit Serial Programming, ICSP, ICEPIC, microPort, Migratable Memory, MPASM, MPLIB, MPLINK, MPSIM, PICC, PICDEM, PICDEM.net, rPIC, Select Mode and Total Endurance are trademarks of Microchip Technology Incorporated in the U.S.A. and other countries.

Serialized Quick Turn Programming (SQTP) is a service mark of Microchip Technology Incorporated in the U.S.A.

All other trademarks mentioned herein are property of their respective companies.

© 2002, Microchip Technology Incorporated, Printed in the U.S.A., All Rights Reserved.

 Printed on recycled paper.



*Microchip received QS-9000 quality system certification for its worldwide headquarters, design and wafer fabrication facilities in Chandler and Tempe, Arizona in July 1999 and Mountain View, California in March 2002. The Company's quality system processes and procedures are QS-9000 compliant for its PICmicro® 8-bit MCUs, KEELOQ® code hopping devices, Serial EEPROMs, microperipherals, non-volatile memory and analog products. In addition, Microchip's quality system for the design and manufacture of development systems is ISO 9001 certified.*



# TC74 Serial Temperature Sensor Demo Board User's Guide

---

---

## Table of Contents

---

---

### Chapter 1. General Information

1.1	Introduction .....	1
1.2	The TC74 Demo Board .....	2
1.3	TC74 Board Applications .....	3
1.4	Reference Documents .....	3

### Chapter 2. Getting Started

2.1	TC74 Software Installation and Menu Options .....	5
2.2	Hardware Installation .....	8
2.3	Implementing the TC74 .....	8

### Appendix A. Board Layout

A.1	Introduction .....	9
A.2	Board Layout and Schematic .....	9
A.3	Demo Board Components .....	10
A.4	TC74 Functional Block Diagram .....	10

<b>Worldwide Sales and Service .....</b>	<b>12</b>
--	-----------

# TC74 Serial Temperature Sensor Demo Board User's Guide

---

---

NOTES:



# TC74 Serial Temperature Sensor Demo Board User's Guide

---

---

## Chapter 1. General Information

---

---

### 1.1 INTRODUCTION

Thank you for purchasing the TC74 Serial Temperature Sensor Demo Board from Microchip Technology Inc. The TC74 Demo Board is an evaluation and demonstration board specifically designed to support Microchip's TC74, a 2-wire serial temperature sensor. Communication with the TC74 is accomplished with a PC running the communication software.

The evaluation board and software for the TC74 have been designed specifically for use with a PC running Windows® 95 and an available parallel port.

The TC74 Demo Board has the following features:

1. A TC74A5-5.0VCT device.
2. Parallel port for power and communication.
3. 3/4" x 2 1/2" circuit board allows "real-world" evaluation and design.
4. Footprint for temperature-to-voltage IC.
5. Printer port connector (female).
6. Unpopulated holes for pull-up resistors.
7. Unpopulated holes for thermistor (comparative evaluation).

# TC74 Serial Temperature Sensor Demo Board User's Guide

---

## 1.2 THE TC74 DEMO BOARD

The TC74 Demo (Figure 1-1) is built on a 3/4 inch by 2 1/2 inch PC board featuring easy setup for bench top evaluation and testing. The board is powered directly from the PC printer port.

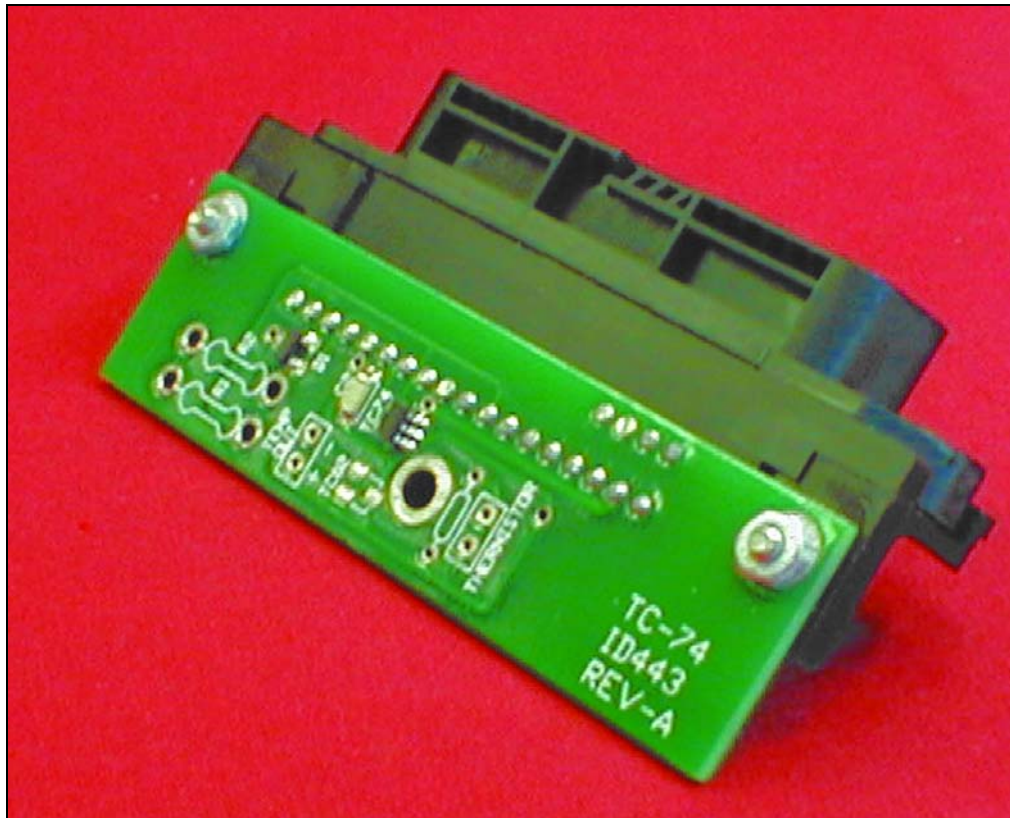
The TC74 Demo Kit comes with the following:

1. TC74 Demo Board
2. TC74A5-5.0VCT (sample on PCB)
3. TC74 Serial Temperature Sensor Demo Board User's Guide (DS51303)
4. TC74 Data Sheet (DS21462)
5. TC74 Communication Software

The following must be provided by the user to implement a TC74 system.

1. Centronics Port Printer Cable.

If any item is damaged or missing, please contact your nearest Microchip sales office listed on the back of this publication.



**FIGURE 1-1:** TC74 Serial Temperature Sensor Demo Board

## 1.3 TC74 DEMO BOARD APPLICATIONS

The TC74 Demo Board is the ideal solution for identifying the temperature profile of applications, such as, datacom, telecom and PC equipment. Simply let your equipment run under normal operating conditions, record temperature data in wide time intervals and save the resulting data in a file.

The following are appropriate applications for the TC74 Demo Board:

1. Thermal protection for hard disk drives and other PC peripherals.
2. PC card devices for notebook computers.
3. Real-time temperature measurement for datacom and telecom equipment.
4. Low cost thermostat controls.
5. Thermistor replacement.

## 1.4 REFERENCE DOCUMENTS

Other Reference Documents may be obtained by contacting your nearest Microchip sales office (listed on the back of this document) or by visiting the Microchip website at ([www.microchip.com](http://www.microchip.com)).

- *Technical Library CD-ROM*, (DS00161), or the individual data sheet:
  - *TC74 Data Sheet*, (DS21462)
- *Analog & Interface Families Data Book 2002*, (DS00207)
- *2002 Technical Documentation Analog & Interface Product Families CD-ROM*, (DS51205)
- *Serial Output Temperature Sensor Family Sell Sheet*, (DS21651)
- *TC74 Demo Board Kit Sell Sheet*, (DS51253)

# TC74 Serial Temperature Sensor Demo Board User's Guide

---

---

NOTES:



---

---

## Chapter 2. Getting Started

---

---

This chapter discusses the necessary steps for installing the software, understanding the various menu options and installing the hardware components. Additionally, it explains how to implement the TC74 Demo Board. Before getting started, please check the contents you received against the TC74 Demo Board Packing List. Also, please read section 1.2, "The TC74 Demo Board", in Chapter 1 for a list of what is included in the TC74 kit and what you must provide. Assemble the necessary items.

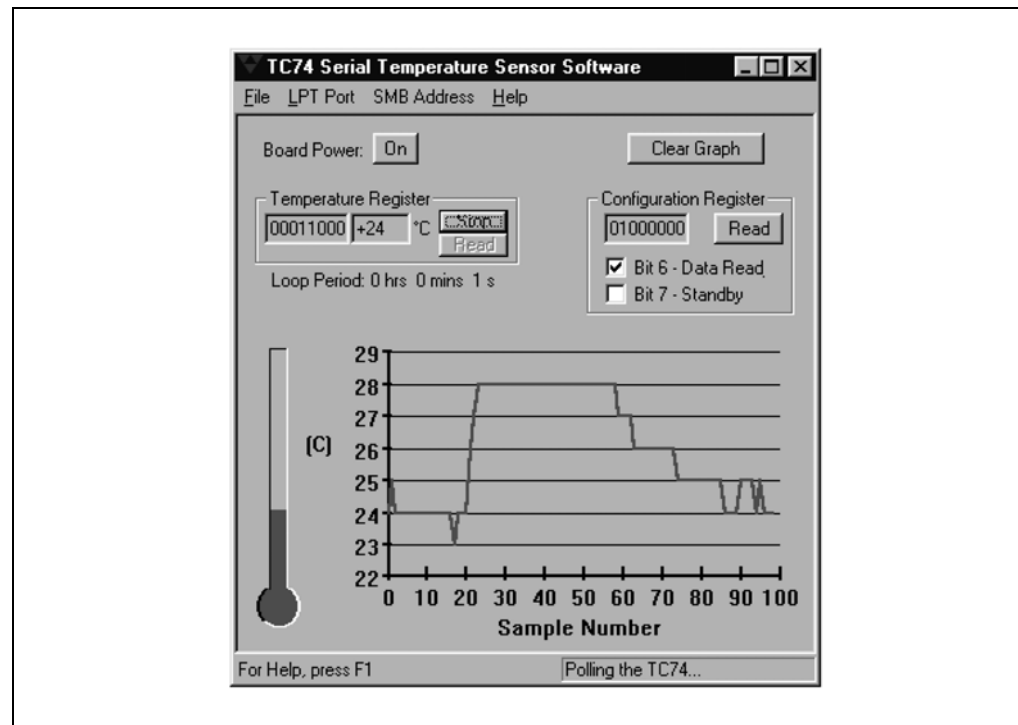
### 2.1 TC74 SOFTWARE INSTALLATION AND MENU OPTIONS

You can either download the TC74 software via the Internet or download it from the TC74 installation disk.

1. First create a directory for the evaluation software to reside in, such as, \Program Files\Microchip.
2. Next, use pkunzip (or any other readily available decompressing software) to extract the software from TC74EV.ZIP to the directory that was created.
3. Finally, the software can be launched by double clicking on the TC74.EXE file from the Microsoft® Windows® Explorer Start Menu or File Manager.

#### 2.1.1 Software Screen Menus

This section gives a brief description of the various menu commands and features associated with the TC74 software. See Figure 2-1.



**FIGURE 2-1:** TC74 Serial Temperature Sensor Software, Sample Screen

# TC74 Serial Temperature Sensor Demo Board User's Guide

---

## 2.1.1.1 FILE MENU COMMANDS

The file menu offers the following commands:

1. **Save**  
Saves the current group of temperature samples to a file.
2. **Save As**  
Saves the current group of temperature samples to a user supplied file name.
3. **Exit**  
Exits the TC74 software.
4. **File Save / File Save As**  
Use this command to save the current group of temperature readings to a file.
5. **Exit Command**  
Use this command to end your TC74 session. You can also use the Close command on the application's control menu.

Shortcuts:

Mouse: Double-click the application's control menu button.

Keys: ALT+ F4

## 2.1.1.2 LPT PORT MENU COMMANDS

The LPT Port menu is used to specify the address of the parallel port to which the TC74 board is connected. The three most common addresses are shown as menu selections. The currently selected port is also stored in the system registry and automatically resets when the software is restarted.

0X378 Set the LPT port address to 0X378.

0X278 Set the LPT port address to 0X278.

0X278 Set the LPT port address to 0X278.

### 2.1.1.2.1 Custom Command

If the parallel printer port address is not displayed in the menu, use the Custom option to set the address. Enter three hexadecimal characters. Do not preface the number with any extra formatting characters. Use extreme caution. If the address is set incorrectly, it may be necessary to reboot the computer. It is not recommended that this address be set arbitrarily.

### 2.1.1.2.2 How to find the LPT Port Address

1. Double click the My Computer icon on your desktop.
2. Open the Control Panel and then double click the System icon.
3. Click on the Device Manager tab.
4. Expand the Ports (COM & LPT) entry by double clicking it.
5. Highlight the correct LPT port and then click the Properties button.
6. Click on the Resources tab.
7. Make a note of the Setting for the Input/Output Range. The first number in that range is the address of the port.

## 2.1.1.3 SMBus™ BUS ADDRESS

The SMBus™ address of the TC74 chip must be set by selecting the appropriate address from the menu options. The SMBus address is also stored in the system registry and reset whenever the software is restarted. The SMBus address is not configurable on the evaluation board but is a factory programmable option. The software defaults to the standard SMBus address used by the TC74 silicon.

## 2.1.1.4 HELP MENU COMMANDS

The Help menu offers the following commands which provide assistance with this application:

1. **Help Topics**  
Provides an index to topics on which to get assistance.
2. **About**  
Displays the version number of this application.
3. **Index Card**  
Use this command to display the opening screen of Help. From the opening screen you can go to step-by-step instructions for using the TC74 software and to access various types of reference information. Once you open Help, you can click the Contents button whenever you want to return to the opening screen.
4. **About Command**  
Use this command to display the copyright notice and version number of your copy of the TC74 software.

## 2.1.1.5 ON/OFF BUTTON

The TC74 Demo Board is powered directly from the computer's parallel port, therefore, the software power button must be clicked on in order to power and establish communication with the board. If clicking on the power button results in an error message, make sure that the serial bus address and parallel port address have been set properly.

## 2.1.1.6 CONFIGURATION REGISTER

The contents of the Temperature register are non-programmable. This is a read-only register.

The Configuration Register has only one writable bit. Bit 7 (standby mode) can be toggled by clicking the corresponding check box. Bit 6 indicates that a sample is ready and is read-only. All other bits read back as zero.

## 2.1.1.7 THE TEMPERATURE GAUGE

The temperature gauge is to the left of the temperature graph and uses the same vertical scale as the graph. It displays the current value of the temperature register.

## 2.1.1.8 THE TEMPERATURE GRAPH

The temperature graph plots the last 100 readings of the temperature register. The graph is reset whenever the On/Off power switch is clicked On or the Clear Graph button is clicked.

A new point is graphed when the temperature register Read button is clicked or when the software makes a timed read of the Temperature register during looped read mode. The current set of graphed readings can be saved at any time from the File Menu.

## 2.1.1.9 LOOP BUTTON

To automatically read the temperature on an ongoing basis, click the Loop button. This displays a dialog box that asks how often the software should read the temperature register. Positive values up to 18 hours are allowed. A value of 0 hrs, 0 min and 0s will be converted to 1 second. The temperature graph will be updated each time the temperature register is read. To stop the automatic loop read, click the Stop button (displayed only during looping mode).

# TC74 Serial Temperature Sensor Demo Board User's Guide

---

## 2.2 HARDWARE INSTALLATION

Connect the Centronics connector on the evaluation board to an available parallel port on your computer, using a standard printer cable (cable not included with the TC74 kit). The evaluation board is powered directly from the parallel port and therefore no external power connection is required.

## 2.3 IMPLEMENTING THE TC74

To get started with the TC74, launch the software from the Windows® 95 start menu. The LPT Port menu allows the user to specify the address of the parallel port to which the TC74 board is connected. The three most common addresses are shown as menu selections:

0X378    Set the LPT port address to 0X378.

0X278    Set the LPT port address to 0X278.

0X3BC    Set the LPT port address to 0X3BC.

Custom    Advanced feature that allows you to enter a different address.

To power-up the board and to start reading temperature data, simply click the "Board Power" button. The temperature will be displayed in the temperature register and on the thermometer and temperature graph.

To automatically read the temperature on an ongoing basis, click the Loop button. This displays a dialog box that asks how often the software should read the temperature register. Non-negative values up to 18 hours are allowed. A value of 0 hours, 0 minutes and 0 seconds will be converted to 1 second.

The temperature graph will be updated each time the temperature register is read. To stop the automatic loop read, click on the Stop button.

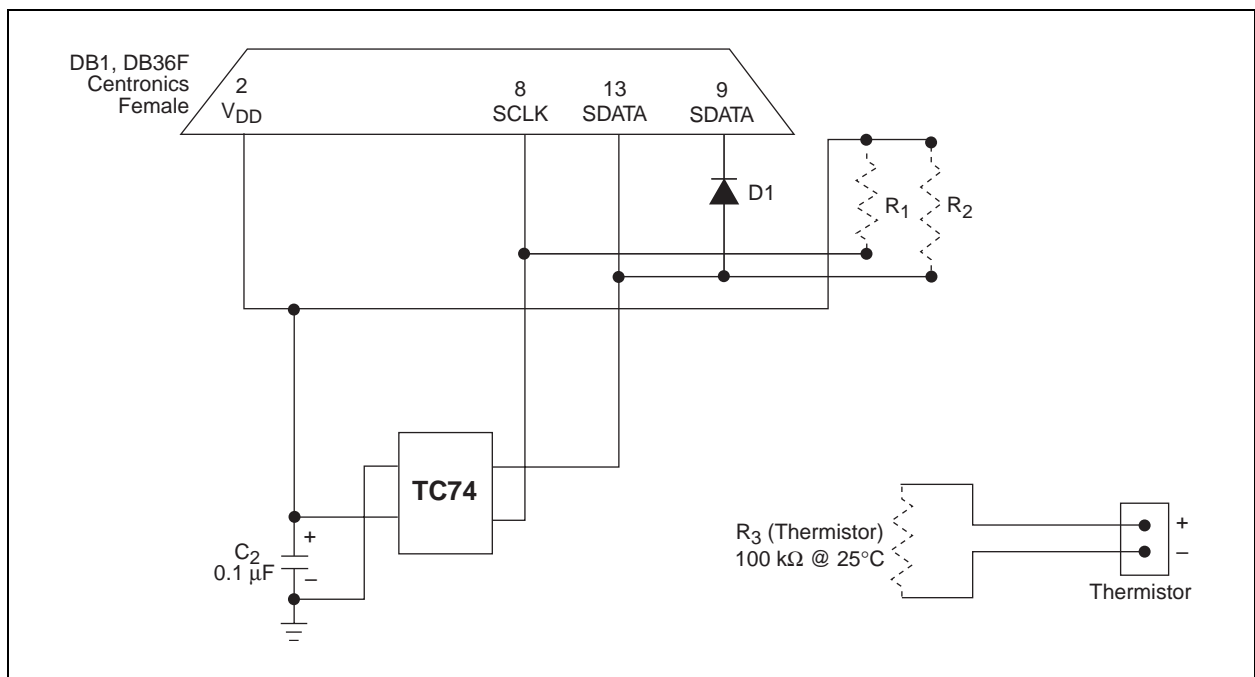
The contents of the temperature register are non-programmable. This is a read-only register. The configuration register has only one writable bit. Bit 7 (Standby Mode) can be toggled by clicking the corresponding check box.

## Appendix A. Board Layout

### A.1 INTRODUCTION

This appendix contains general information concerning the layout, schematic and components for the TC74 Demo Board.

### A.2 BOARD LAYOUT AND SCHEMATIC



**FIGURE A-1:** TC74 Demo Board Layout and Schematic

# TC74 Serial Temperature Sensor Demo Board User's Guide

## A.3 DEMO BOARD COMPONENTS

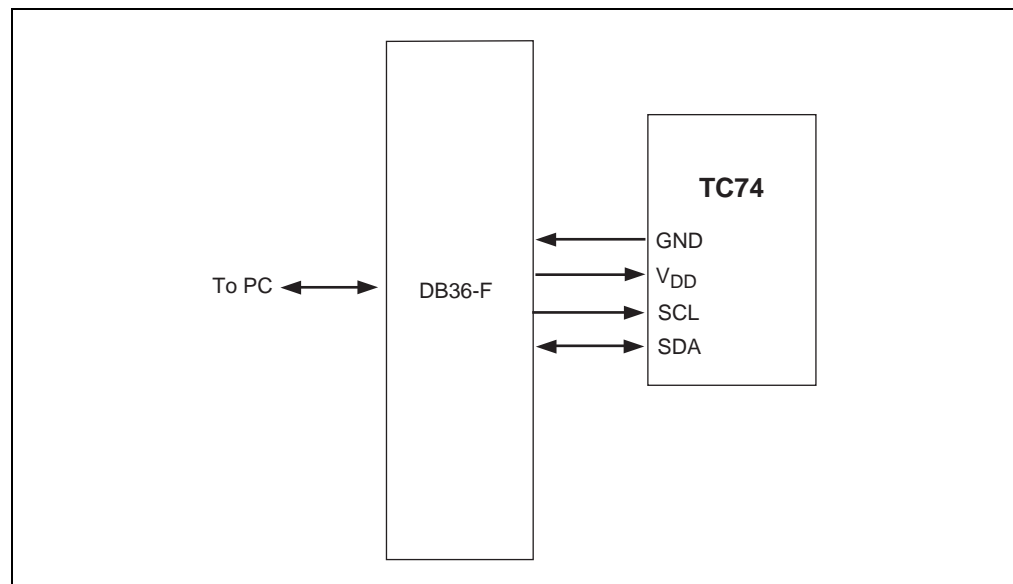
Table A-1 lists the components that the TC74 board consists of and their associated values assigned.

**TABLE A-1: TC74 BOARD COMPONENTS AND VALUES**

Component	Component Values
R <sub>1</sub>	Pull-up Resistor - Not populated
R <sub>2</sub>	Pull-up Resistor - Not populated
C <sub>2</sub>	.1 $\mu$ F Capacitor
U <sub>1</sub>	TC74A5-5.0VCT Device
D <sub>1</sub>	IN4148 diode or 1N914
U <sub>3</sub>	Thermistor - Not populated
DB <sub>1</sub>	Printer Port Connector - Female

## A.4 TC74 FUNCTIONAL BLOCK DIAGRAM

The diagram pictured in Figure A-2 shows the TC74 powered directly to a PC running the communication software.



**FIGURE A-2: TC74 Functional Block Diagram**

NOTES:



# MICROCHIP

## WORLDWIDE SALES AND SERVICE

### AMERICAS

#### Corporate Office

2355 West Chandler Blvd.  
Chandler, AZ 85224-6199  
Tel: 480-792-7200 Fax: 480-792-7277  
Technical Support: 480-792-7627  
Web Address: <http://www.microchip.com>

#### Rocky Mountain

2355 West Chandler Blvd.  
Chandler, AZ 85224-6199  
Tel: 480-792-7966 Fax: 480-792-4338

#### Atlanta

3780 Mansell Road, Suite 130  
Alpharetta, GA 30022  
Tel: 770-640-0034 Fax: 770-640-0307

#### Boston

2 Lan Drive, Suite 120  
Westford, MA 01886  
Tel: 978-692-3848 Fax: 978-692-3821

#### Chicago

333 Pierce Road, Suite 180  
Itasca, IL 60143  
Tel: 630-285-0071 Fax: 630-285-0075

#### Dallas

4570 Westgrove Drive, Suite 160  
Addison, TX 75001  
Tel: 972-818-7423 Fax: 972-818-2924

#### Detroit

Tri-Atria Office Building  
32255 Northwestern Highway, Suite 190  
Farmington Hills, MI 48334  
Tel: 248-538-2250 Fax: 248-538-2260

#### Kokomo

2767 S. Albright Road  
Kokomo, Indiana 46902  
Tel: 765-864-8360 Fax: 765-864-8387

#### Los Angeles

18201 Von Karman, Suite 1090  
Irvine, CA 92612  
Tel: 949-263-1888 Fax: 949-263-1338

#### San Jose

Microchip Technology Inc.  
2107 North First Street, Suite 590  
San Jose, CA 95131  
Tel: 408-436-7950 Fax: 408-436-7955

#### Toronto

6285 Northam Drive, Suite 108  
Mississauga, Ontario L4V 1X5, Canada  
Tel: 905-673-0699 Fax: 905-673-6509

### ASIA/PACIFIC

#### Australia

Microchip Technology Australia Pty Ltd  
Suite 22, 41 Rawson Street  
Epping 2121, NSW  
Australia  
Tel: 61-2-9868-6733 Fax: 61-2-9868-6755

#### China - Beijing

Microchip Technology Consulting (Shanghai)  
Co., Ltd., Beijing Liaison Office  
Unit 915  
Bei Hai Wan Tai Bldg.  
No. 6 Chaoyangmen Beidajie  
Beijing, 100027, No. China  
Tel: 86-10-85282100 Fax: 86-10-85282104

#### China - Chengdu

Microchip Technology Consulting (Shanghai)  
Co., Ltd., Chengdu Liaison Office  
Rm. 2401-2402, 24th Floor,  
Ming Xing Financial Tower  
No. 88 TIDU Street  
Chengdu 610016, China  
Tel: 86-28-86766200 Fax: 86-28-86766599

#### China - Fuzhou

Microchip Technology Consulting (Shanghai)  
Co., Ltd., Fuzhou Liaison Office  
Unit 28F, World Trade Plaza  
No. 71 Wusi Road  
Fuzhou 350001, China  
Tel: 86-591-7503506 Fax: 86-591-7503521

#### China - Hong Kong SAR

Microchip Technology Hongkong Ltd.  
Unit 901-6, Tower 2, Metroplaza  
223 Hing Fong Road  
Kwai Fong, N.T., Hong Kong  
Tel: 852-2401-1200 Fax: 852-2401-3431

#### China - Shanghai

Microchip Technology Consulting (Shanghai)  
Co., Ltd.  
Room 701, Bldg. B  
Far East International Plaza  
No. 317 Xian Xia Road  
Shanghai, 200051  
Tel: 86-21-6275-5700 Fax: 86-21-6275-5060

#### China - Shenzhen

Microchip Technology Consulting (Shanghai)  
Co., Ltd., Shenzhen Liaison Office  
Rm. 1812, 18/F, Building A, United Plaza  
No. 5022 Binhe Road, Futian District  
Shenzhen 518033, China  
Tel: 86-755-82901380 Fax: 86-755-82966626

#### China - Qingdao

Rm. B503, Fullhope Plaza,  
No. 12 Hong Kong Central Rd.  
Qingdao 266071, China  
Tel: 86-532-5027355 Fax: 86-532-5027205

#### India

Microchip Technology Inc.  
India Liaison Office  
Divyasree Chambers  
1 Floor, Wing A (A3/A4)  
No. 11, O'Shaughnessey Road  
Bangalore, 560 025, India  
Tel: 91-80-2290061 Fax: 91-80-2290062

### Japan

Microchip Technology Japan K.K.  
Benex S-1 6F  
3-18-20, Shinyokohama  
Kohoku-Ku, Yokohama-shi  
Kanagawa, 222-0033, Japan  
Tel: 81-45-471-6166 Fax: 81-45-471-6122

### Korea

Microchip Technology Korea  
168-1, Youngbo Bldg. 3 Floor  
Samsung-Dong, Kangnam-Ku  
Seoul, Korea 135-882  
Tel: 82-2-554-7200 Fax: 82-2-558-5934

### Singapore

Microchip Technology Singapore Pte Ltd.  
200 Middle Road  
#07-02 Prime Centre  
Singapore, 188980  
Tel: 65-6334-8870 Fax: 65-6334-8850

### Taiwan

Microchip Technology (Barbados) Inc.,  
Taiwan Branch  
11F-3, No. 207  
Tung Hua North Road  
Taipei, 105, Taiwan  
Tel: 886-2-2717-7175 Fax: 886-2-2545-0139

### EUROPE

#### Austria

Microchip Technology Austria GmbH  
Durisolstrasse 2  
A-4600 Wels  
Austria  
Tel: 43-7242-2244-399  
Fax: 43-7242-2244-393

#### Denmark

Microchip Technology Nordic ApS  
Regus Business Centre  
Lautrup høj 1-3  
Ballerup DK-2750 Denmark  
Tel: 45 4420 9895 Fax: 45 4420 9910

#### France

Microchip Technology SARL  
Parc d'Activite du Moulin de Massy  
43 Rue du Saule Trapu  
Batiment A - 1er Etage  
91300 Massy, France  
Tel: 33-1-69-53-63-20 Fax: 33-1-69-30-90-79

#### Germany

Microchip Technology GmbH  
Steinheilstrasse 10  
D-85737 Ismaning, Germany  
Tel: 49-89-627-144 0 Fax: 49-89-627-144-44

#### Italy

Microchip Technology SRL  
Centro Direzionale Colleoni  
Palazzo Taurus 1 V. Le Colleoni 1  
20041 Agrate Brianza  
Milan, Italy  
Tel: 39-039-65791-1 Fax: 39-039-6899883

#### United Kingdom

Microchip Ltd.  
505 Eskdale Road  
Winnersh Triangle  
Wokingham  
Berkshire, England RG41 5TU  
Tel: 44 118 921 5869 Fax: 44-118 921-5820

12/05/02