

BACKSHELL KIT INCLUDES:

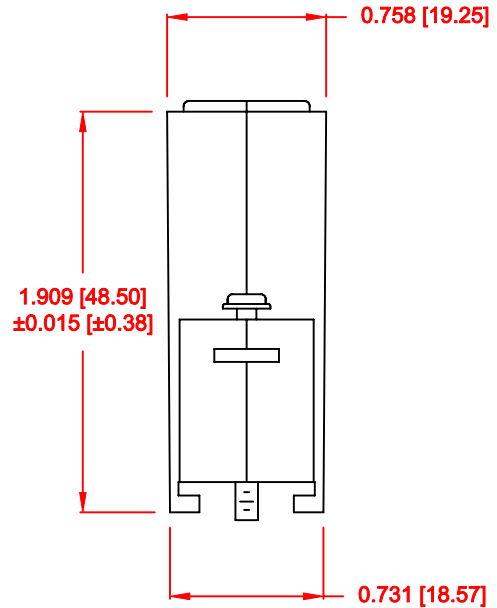
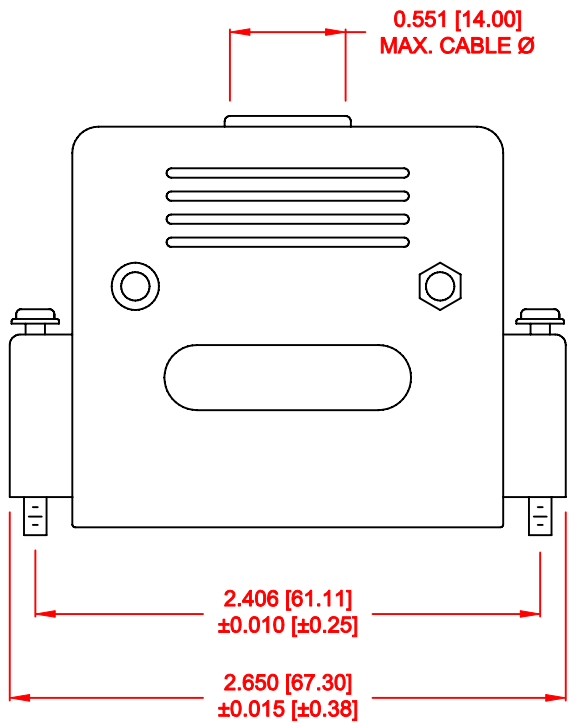
- (2) BACKSHELL HALVES
- (2) HOUSING SCREWS
- (2) HOUSING NUTS
- (2) 4-40 MOUNTING SCREWS
- (2) STRAIN RELIEF CLAMPS
- (2) STRAIN RELIEF SCREWS

METALIZED PLASTIC:

MATERIAL: ABS HIGH TEMPERATURE PLASTIC 94HB
 METALIZED PLATING: CHROME

PLASTIC:

MATERIAL: ABS HIGH TEMPERATURE PLASTIC 94HB



977-050-YYY R YY 1

SERIES _____
 POSITIONS _____
 050 _____
 MATERIAL _____
 010 = PLASTIC
 020 = METALIZED PLASTIC
 RoHS COMPLIANT _____
 R = HIGH TEMP. PROCESS
 COLOR _____
 03 = GRAY
 12 = METAL(IZED)
 PUT-UP _____
 1 = KIT

	THESE DRAWINGS AND SPECIFICATIONS ARE THE PROPERTY OF NorComp AND SHALL NOT BE REPRODUCED, COPIED OR USED AS THE BASIS FOR THE MANUFACTURE OR SALE OF APPARATUS WITHOUT WRITTEN PERMISSION.		DRAWN: C. SMITH	DATE: 04-10-06
			CHECKED:	DATE:
NorComp		SCALE:	SHEET 1 OF 1	REV 2
		DWG NO. 977-050-0Y0RYY1		