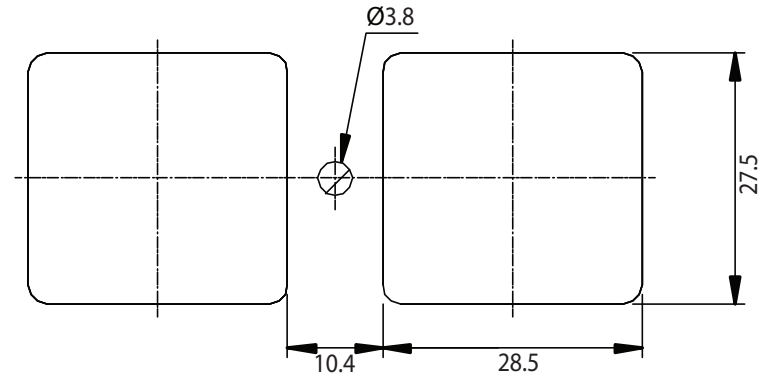
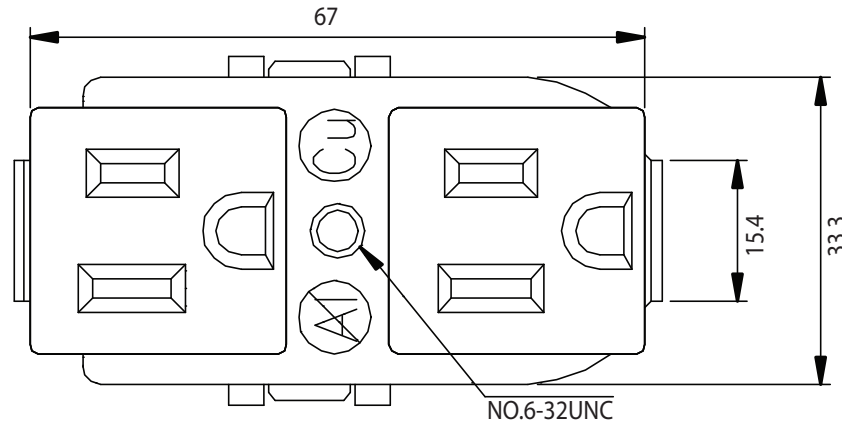
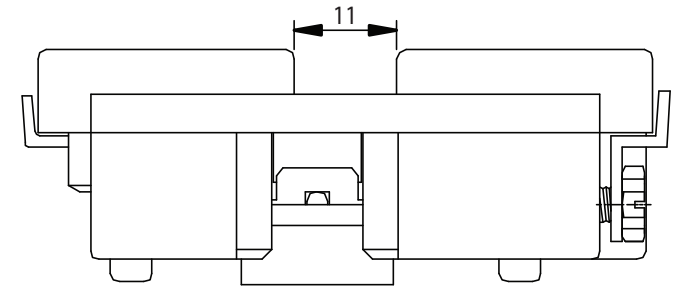
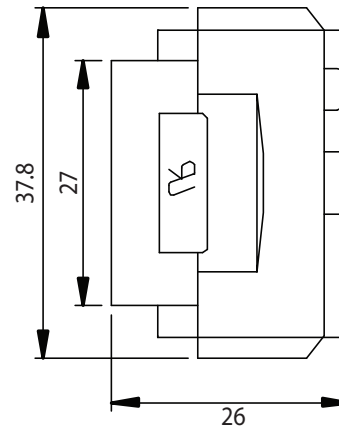
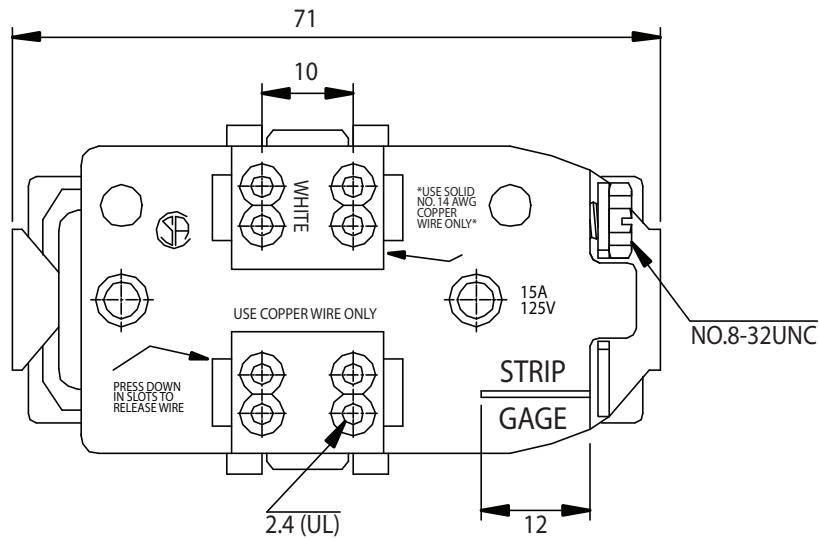


THESE DRAWINGS ARE THE PROPERTY OF QUALTEK ELECTRONICS AND NOT TO BE REPRODUCED FOR OR COMMUNICATED TO A THIRD PARTY WITHOUT THE EXPRESS WRITTEN PERMISSION OF AN OFFICER OF QUALTEK ELECTRONICS.

REVISION			
REV.	DESCRIPTION	DATE	APPROVED
B	RoHS Compliancy	06-01-06	DP



PANEL CUTOUT



CONTROLLED

NOTES:

USE SOLID 14 AWG COPPER WIRE ONLY
 15A 125V
 APPROVALS: UL,CSA
 RoHS COMPLIANT

Dim range (mm)	Tolerance +/- (mm)	Qualtek Electronics Corp. PPC DIVISION		
0-1	0.15	Part Number:	740W-D/01	RoHS Compliant
1-6	0.20	Description:	AC RECEPTACLE	
6-18	0.30		UNIT: mm	REV. B
18-50	0.50	Drawn / Date	Checked / Date	Approved / Date
50-120	0.70	S.CHEN 04-19-99	04-19-99	JJH / 04-19-99
120-250	0.90			
250-500	1.20			