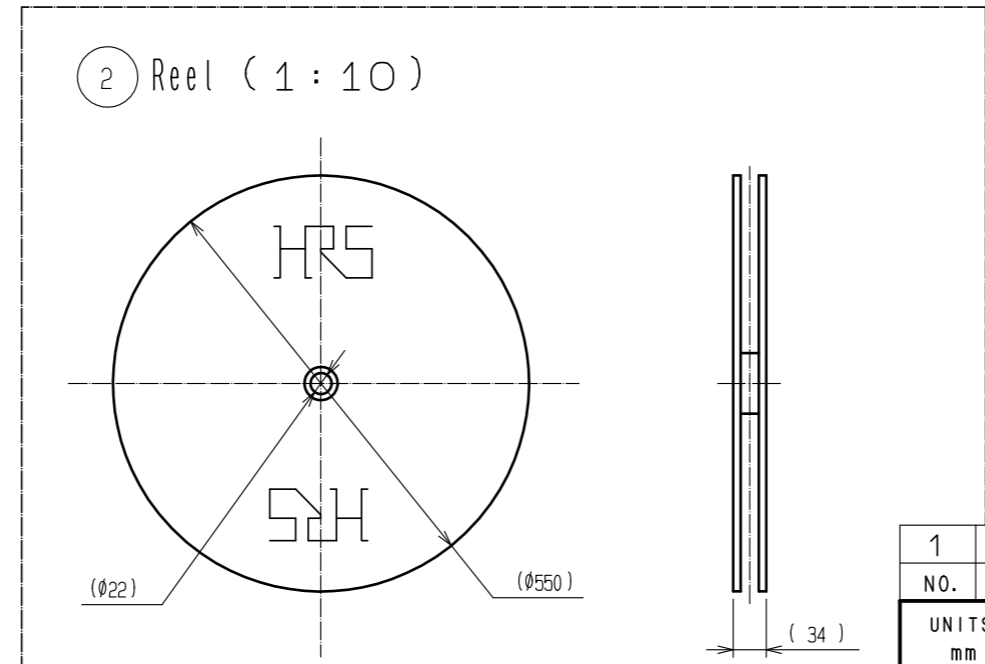
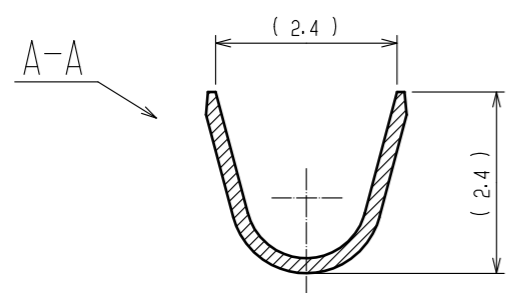
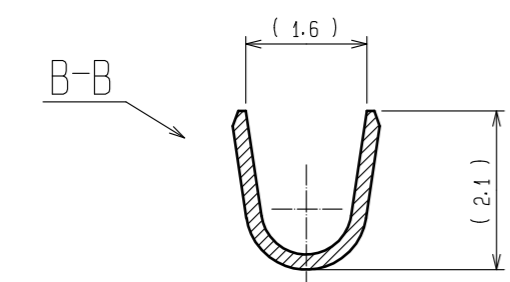
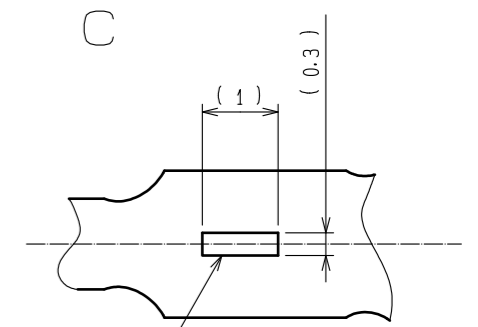
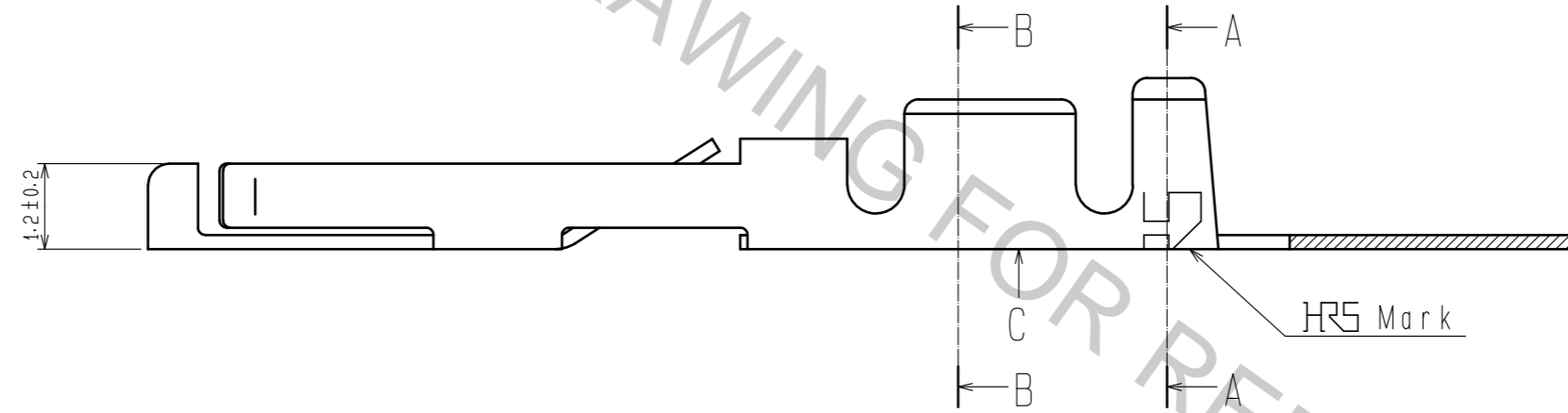
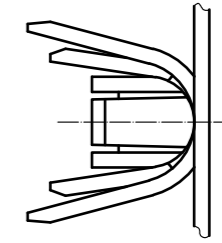
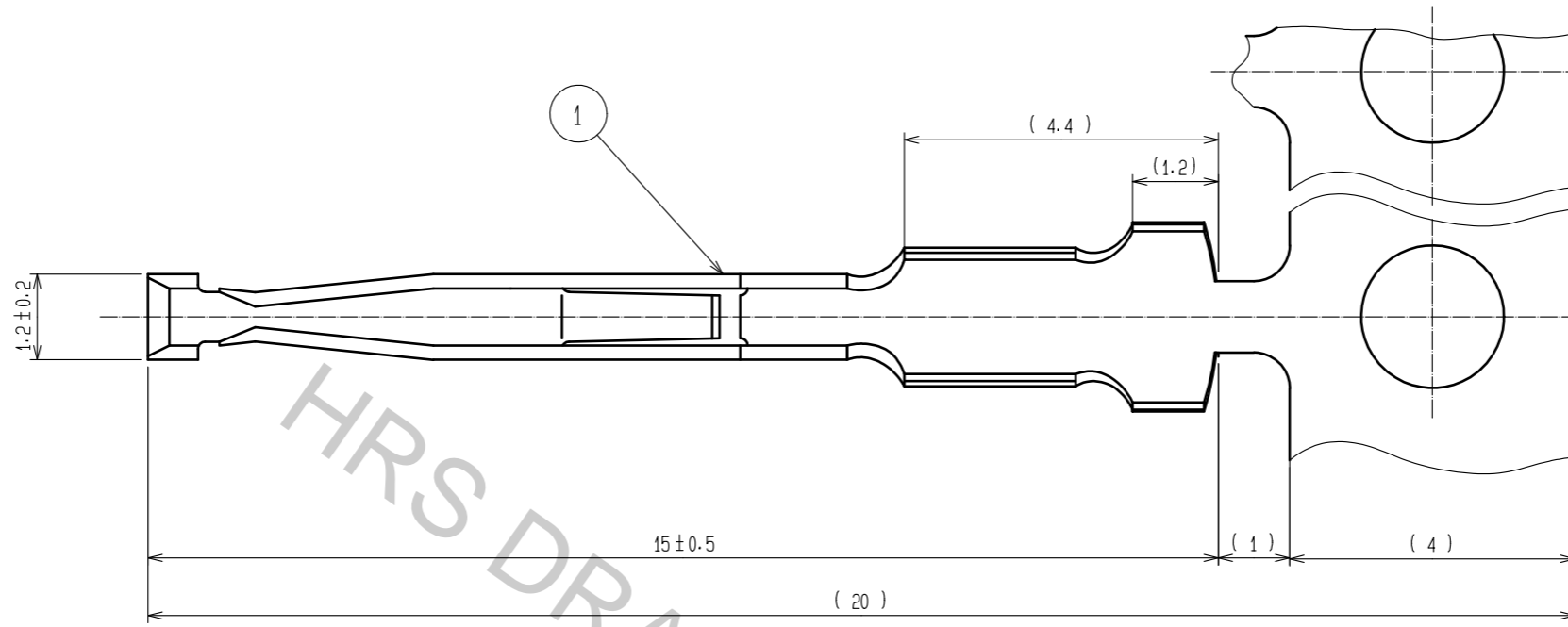
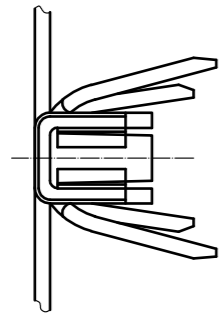


Oct.1.2018 Copyright 2018 HIROSE ELECTRIC CO., LTD. All Rights Reserved.  
 In case that the application demands a high level of reliability, such as automotive,  
 please contact a company representative for further information.



Note 1 Applicable wire : AWG#18 TO 22

1	Phosphor bronze	Silver plating (10,000pcs/bag)	2	Carton	(Terminal winding reel)		
NO.	MATERIAL	FINISH . REMARKS	NO.	MATERIAL	FINISH . REMARKS		
UNITS	⊙	SCALE	COUNT	DESCRIPTION OF REVISIONS	DESIGNED	CHECKED	DATE
mm		10 : 1	△				
APPROVED : E.J. KUNII				16.02.25	DRAWING NO. EDC-010243-00-00		
CHECKED : E.J. KUNII				16.02.25	PART NO. RP17-SC-212		
DESIGNED : MM. ISHII				16.02.24	CODE NO. CL113-0509-2-00		
DRAWN : MM. ISHII				16.02.24	1/1		