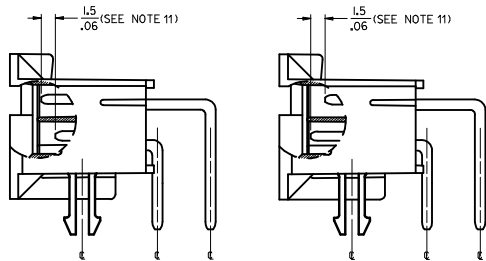
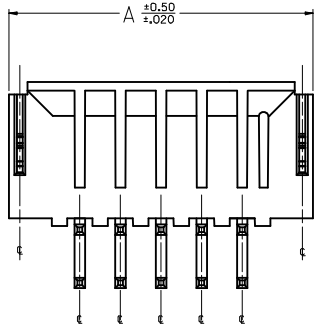


NOTES

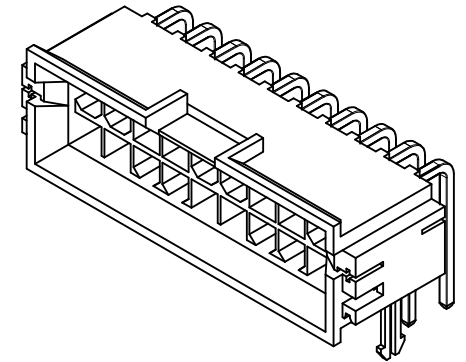
- 1) MATERIALS
HOUSING: NYLON 4/6 UL 94V-0 GLASS FILLED, COLOR: BLACK
TERMINAL: BRASS
BOARD RETENTION CLIP: BRASS
- 2) FINISHES:
TERMINAL:
1.=(0.00254)/.000100 MIN. MATTE TIN OVER
(0.00127)/.000050 MIN. NICKEL
2.-(0.00076)/.000030 MIN. SELECT GOLD AND
(0.00254)/.000100 MIN. SELECT MATTE TIN
OVER (0.00127)/.000050 MIN. NICKEL OVERALL
MOUNTING CLIP:
(0.00254)/.000100 MIN. MATTE TIN OVER
(0.00127)/.000050 MIN. NICKEL
- 3) PRODUCT SPECIFICATION: PS-43810-001
- 4) PACKAGING SPECIFICATION: PK-43810-001
- 5) PARTS MATES WITH MOLEX RECPACLE #5557, #42474, AND #44516 AND HEADER #42385
- 6) PART ALLOWS FOR (1.27)/.050 MAX MIS-ALIGNMENT WITH MATING HOUSINGS IN ANY DIRECTION
- 7) CONNECTOR ASSEMBLIES ARE NOT TO BE MATED AND UNMATED WHILE CIRCUITS ARE LIVE
- 8) PARTS ARE NOT DESIGNED FOR CURRENT SHARING
- 9) DISCOLORATION IN THE BANDOLIER CARRIER AREA OF THE PIN IS INHERENT TO THE PLATING PROCESS AND IS DUE TO THE MASKING EFFECT OF THE CARRIER. THIS DISCOLORATION IS IN A NON-FUNCTIONAL AREA OF THE PIN AND WILL NOT AFFECT THE PERFORMANCE OF THE HEADER ASSEMBLY.
- 10) PART CONFORMS TO CLASS 'B' REQUIREMENTS OF COSMETIC SPECIFICATION PS-45499-002
- 11) CIRCUITS SHOWN PROVIDE MATE-FIRST/BREAK-LAST FEATURE, SEE CHART ON SHEET 2 FOR CIRCUIT LOCATIONS. FOR PRODUCT NOT REQUIRING MATE-FIRST/BREAK-LAST OPTIONS, SEE DRAWINGS SD-43810-011, -031, -051 AND -071.
- 12) CLIPS WILL APPEAR DIFFERENTLY ON ACTUAL PARTS DEPENDING ON PCB THICKNESS.

▲ FORMING MARKS ARE ACCEPTABLE.

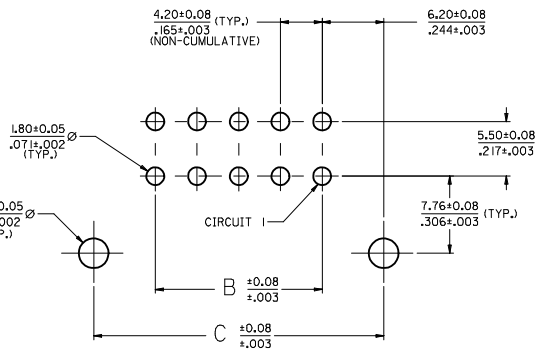


DETAIL A

HEADER ASSEMBLY WITH NO CLIP OPTION



20 CKT SHOWN



PCB LAYOUT, COMPONENT SIDE

SEE CHART ON SHEET 2 FOR RECOMMENDED NOMINAL PCB THICKNESS

ADD 43810-1008 IEC NO: UCT 2013-2220 DRAWN BY: CHKO,IBELL CHECKED BY: CHKO,IBELL APPROVED BY: CHKO,IBELL DATE: 2012/12/04 DATE: 2012/12/04 DATE: 2012/12/05	QUALITY SYMBOLS	GENERAL TOLERANCES (UNLESS SPECIFIED)	DIMENSION STYLE	SCALE	DESIGN UNITS	THIRD ANGLE PROJECTION
	▽=0	4 PLACES ±--- ±---	MM/IN	4:1	METRIC	☉
	▽=0	3 PLACES ±--- ±.010				
	▽=0	2 PLACES ±0.25 ±.015				
		1 PLACE ±0.38 ±---				
		ANGULAR ±1/2°				
	DRAFT WHERE APPLICABLE MUST REMAIN WITHIN DIMENSIONS		MATERIAL NO.	DATE	DATE	DATE
			SEE SHEET 2	2012/01/19	2012/01/19	2012/01/19
			MOLEX INCORPORATED		MOLEX INCORPORATED	
			SD-43810-080			
			1 OF 2			

