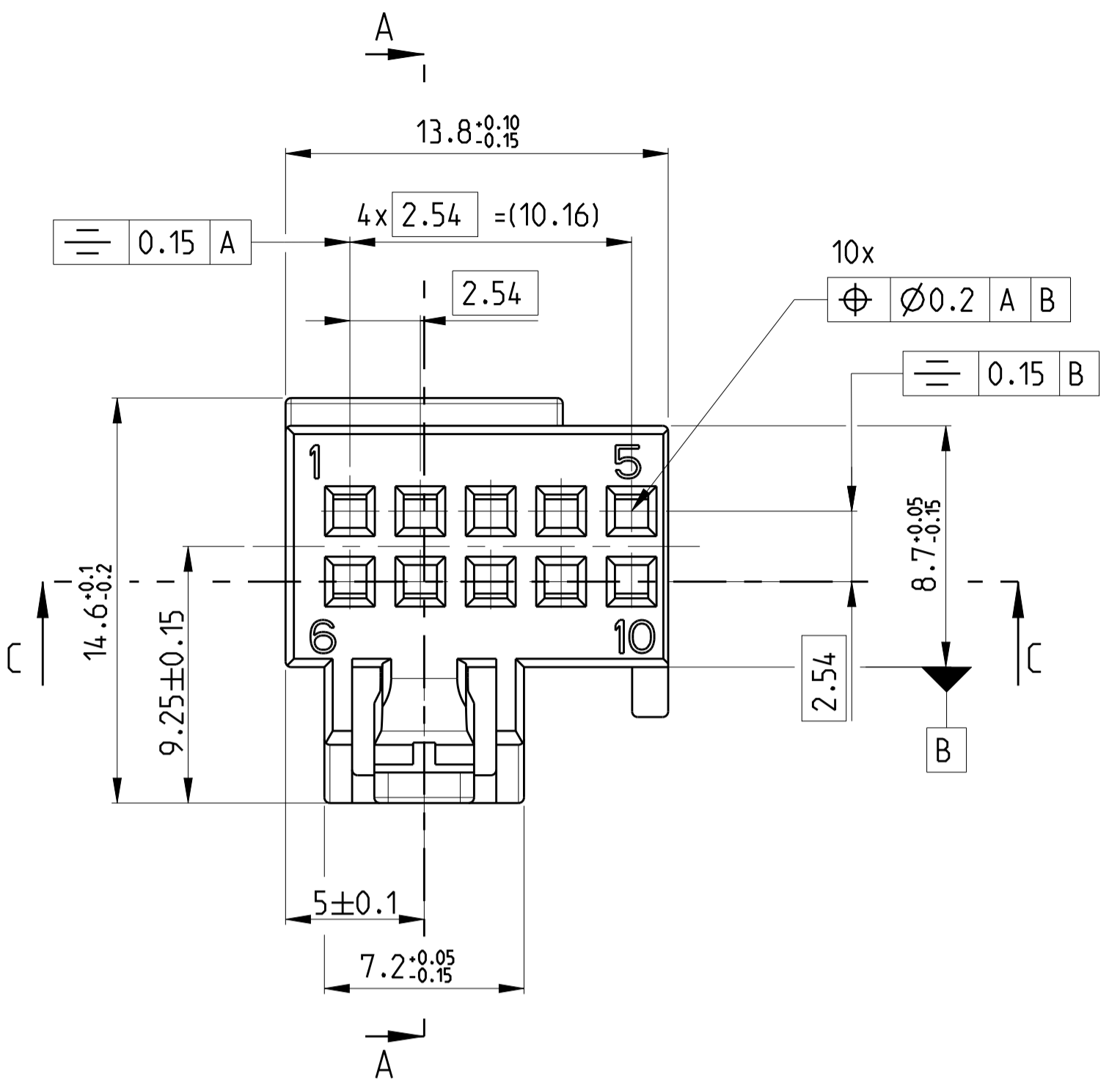
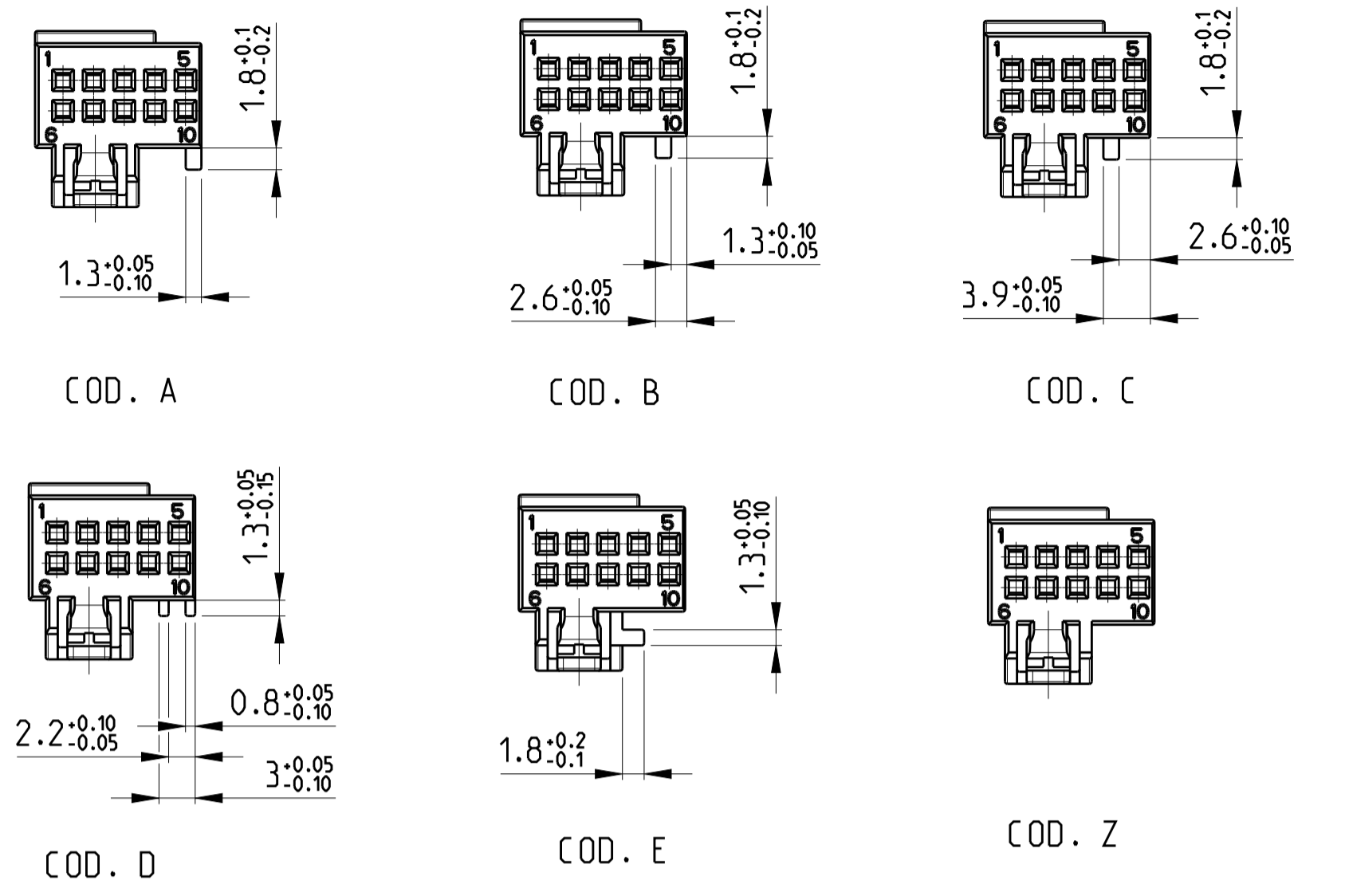
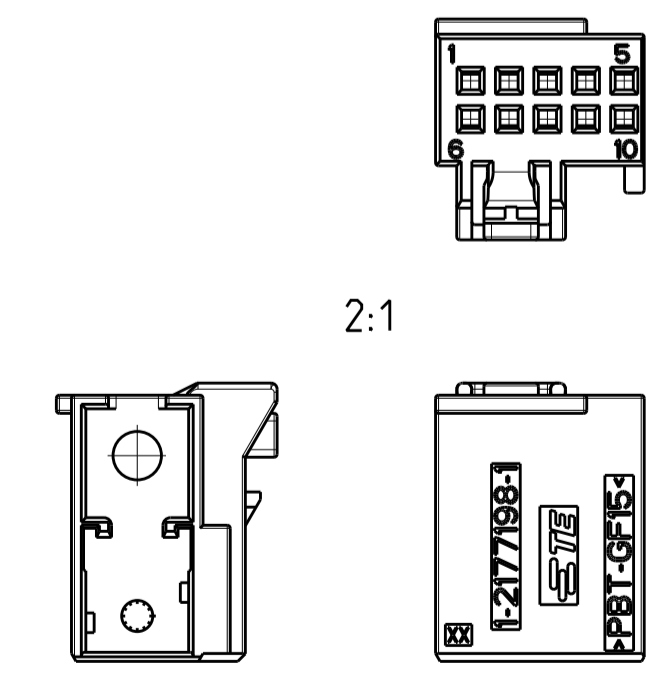
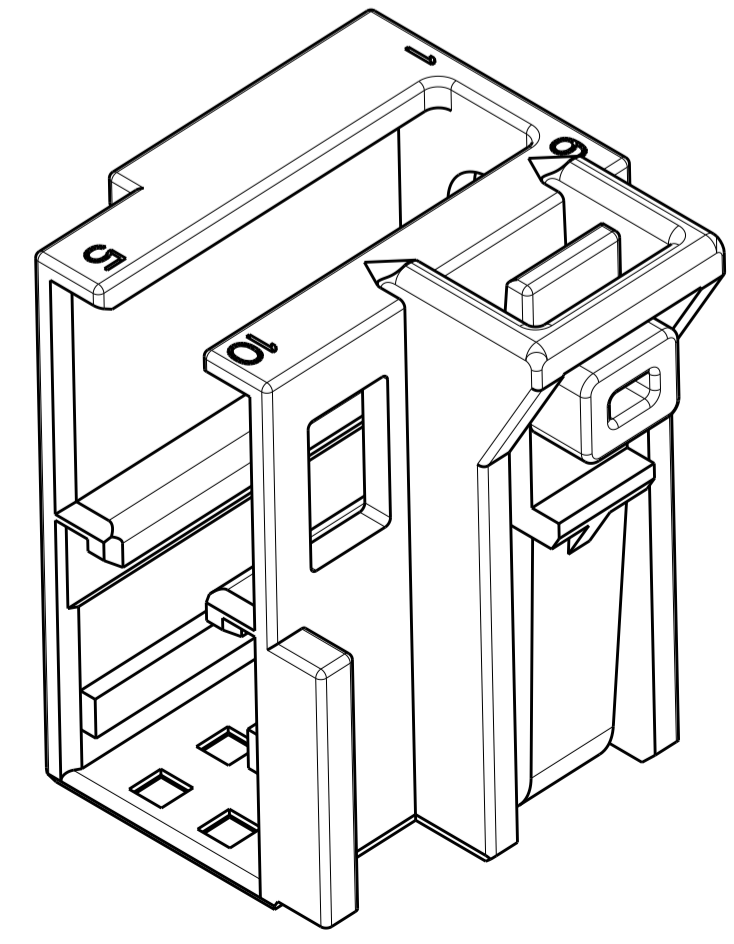
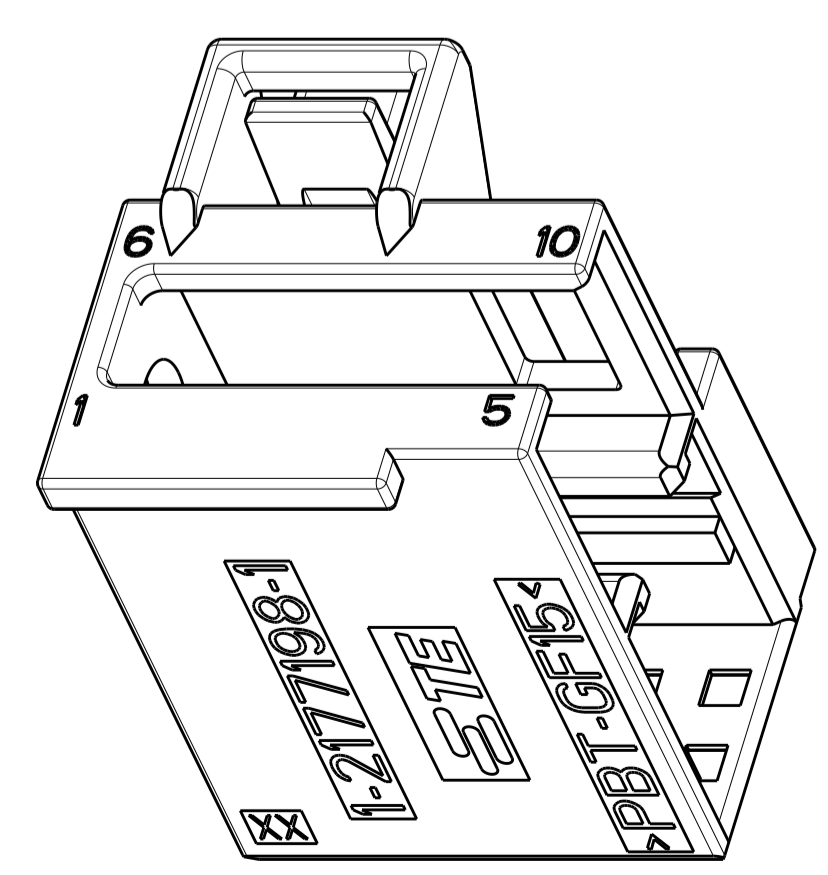
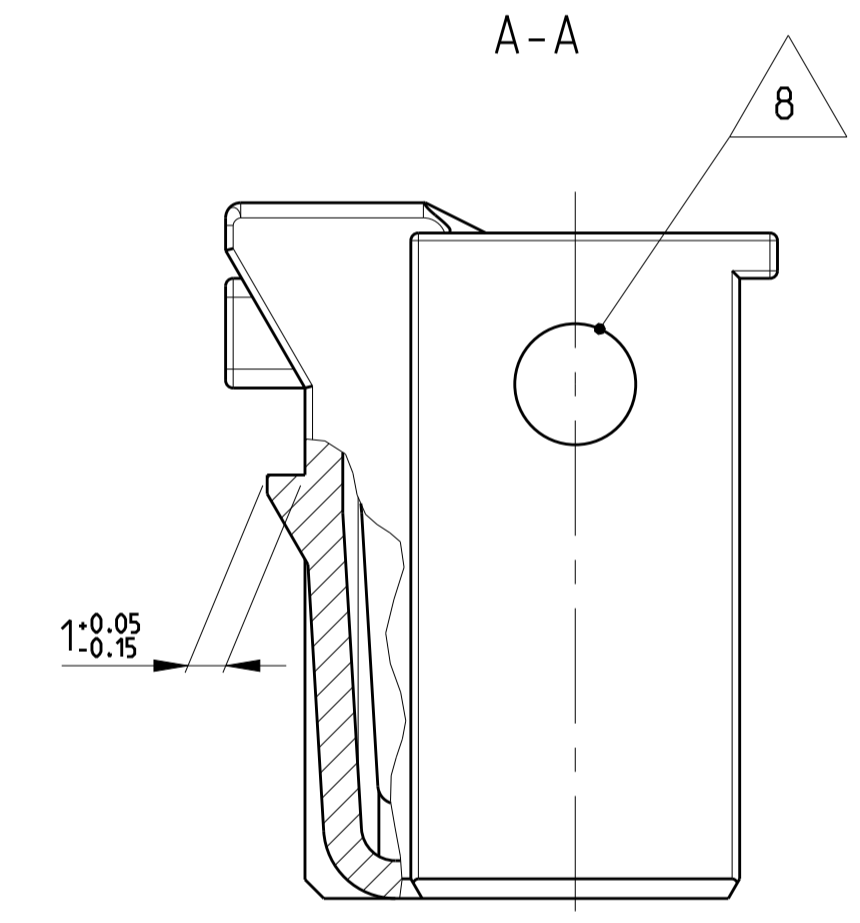
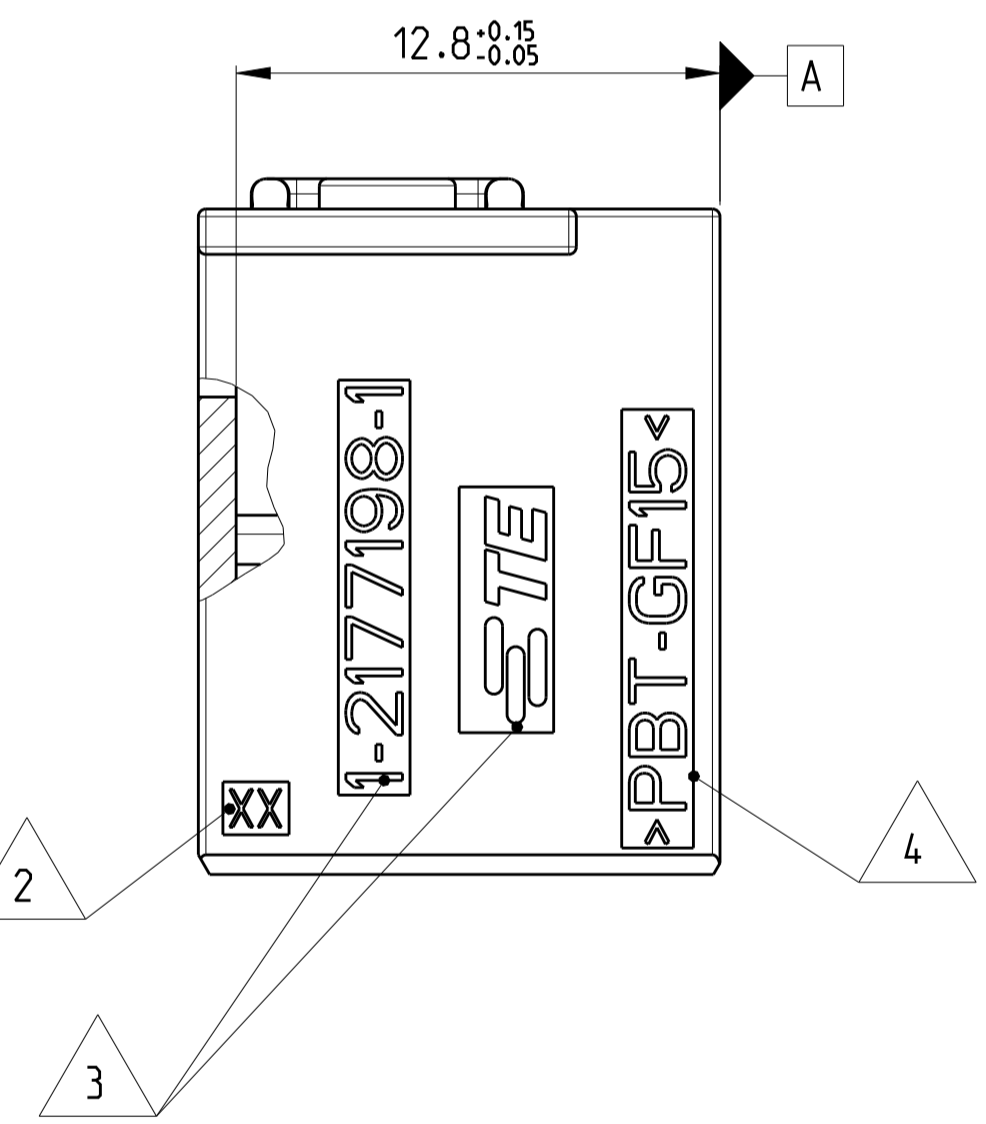
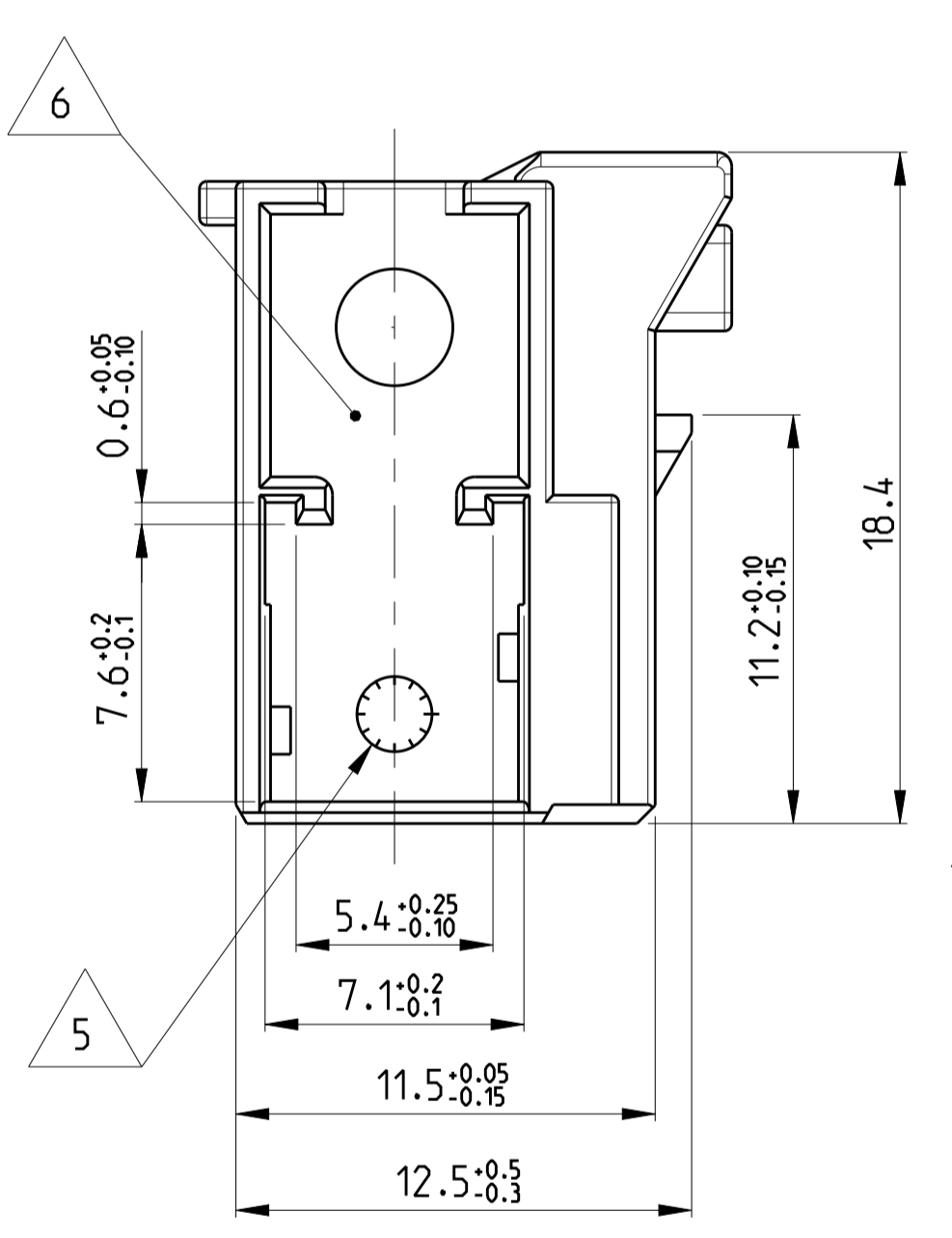
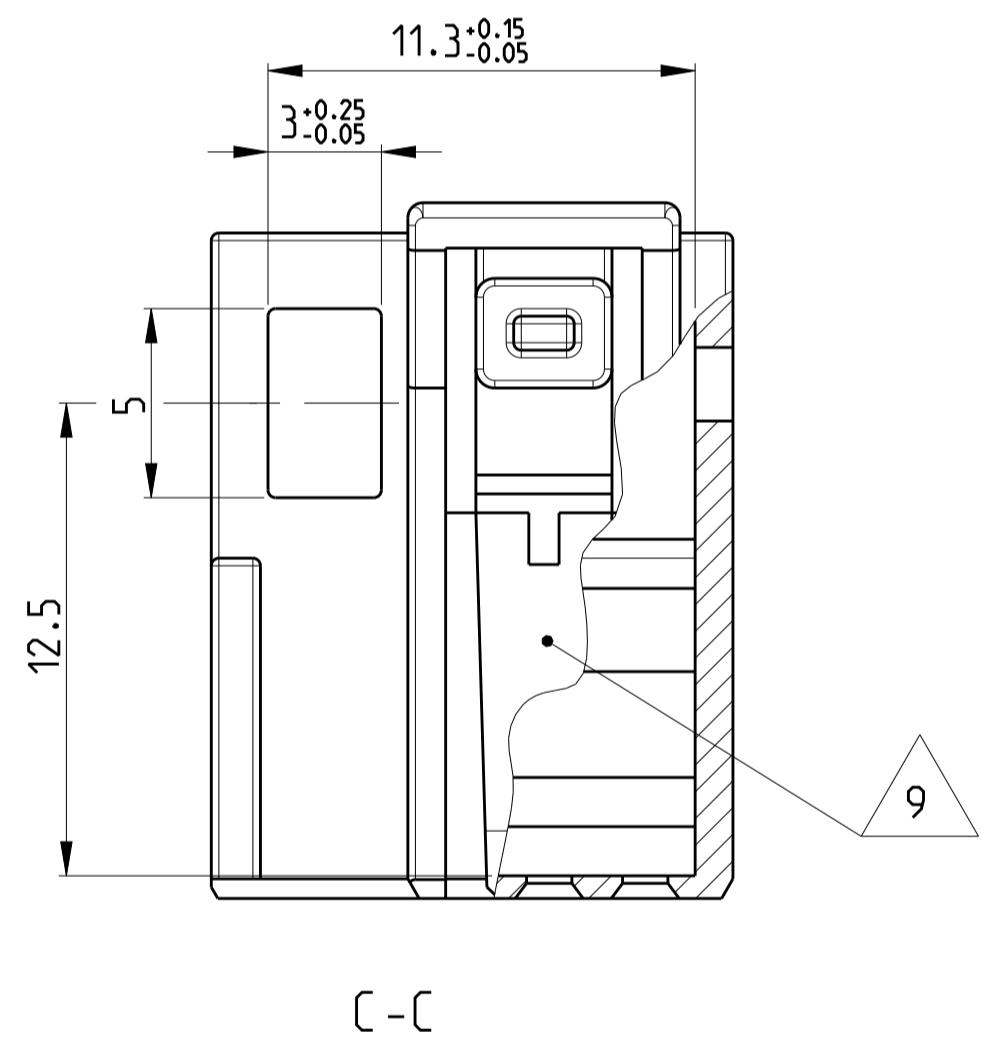


REVISIONS				
P	LTR	DESCRIPTION	DATE	DWN APVD
A1		REVISED PER ECO-13-004307	08MAR2013	DD MB
A2		REVISED PER ECO-16-017603	06DEC2016	DD AH

CODINGS
2:1



- NOTES:**
- 1 CODING 1- -1 AS SHOWN
 - 2 MOULD CAVITY MARKING
 - 3 SUPPLIER MARK
 - 4 MATERIAL IDENTIFICATION
 - 5 DATE CLOCK
 - 6 CAVITIES SUITABLE FOR TE MGS SOCKET HOUSING PN 968562
 - 7 FOR COUNTERPART INTERFACE DRAWING SEE SHEET 2 OF 2
 - 8 THROUGH HOLE NOT RELEVANT FOR FUNCTION OF CONNECTOR, TOOL RETENTION
 - 9 PRESSURE SENSOR NOT RELEVANT FOR FUNCTION OF CONNECTOR



DESCRIPTION	MASS [kg]	COD	TE ORDER NO.	REV.	MATERIAL	SURFACE/COLOUR
COVER, 10POS.	0.00119	Z	9-2177198-1	1	PBT-GF15	WATER BLUE SIMILAR RAL 5021
COVER, 10POS.	0.00121	E	5-2177198-1	1	PBT-GF15	GREEN SIMILAR RAL 6017
COVER, 10POS.	0.00122	D	4-2177198-1	1	PBT-GF15	VIOLET SIMILAR RAL 4004
COVER, 10POS.	0.00121	C	3-2177198-1	1	PBT-GF15	BLUE SIMILAR RAL 5012
COVER, 10POS.	0.00121	B	2-2177198-1	1	PBT-GF15	NATURE
COVER, 10POS.	0.00121	A	1-2177198-2	1	PBT-GF15	CURRY SIMILAR RAL 1027
COVER, 10POS.	0.00121	A	1-2177198-1	1	PBT-GF15	BLACK RAL 9011

THIS DRAWING IS A CONTROLLED DOCUMENT.

DIMENSIONS:	TOLERANCES UNLESS OTHERWISE SPECIFIED:	DWN: M. POLIZZI 05MAY2011	CHK: M. BANAS 05FEB2013	APVD: M. BANAS 14FEB2013	NAME: M. BANAS
mm	0 PLC ±0.15 1 PLC ±0.10 2 PLC ±0.10 3 PLC ±0.10 4 PLC ±0.10 ANGLES ±2°	PRODUCT SPEC: 108-20319			
MATERIAL: SEE TABLE	FINISH: SEE TABLE	WEIGHT: SEE TABLE	CUSTOMER DRAWING		

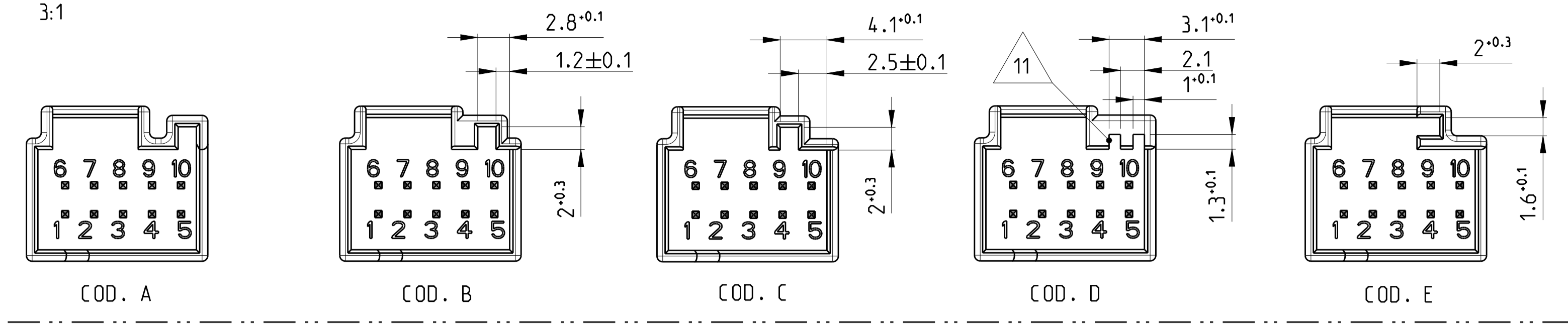
STE TE Connectivity

COVER, 10 POSITION MICRO QUADLOCK SYSTEM

SIZE: CAGE CODE: DRAWING NO: A1 00779 C=2177198

RESTRICTED TO: SCALE: 5:1 SHEET 1 OF 2 REV: A2

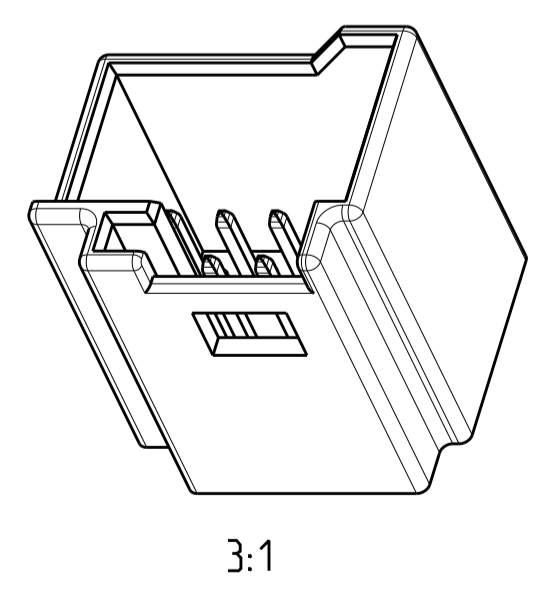
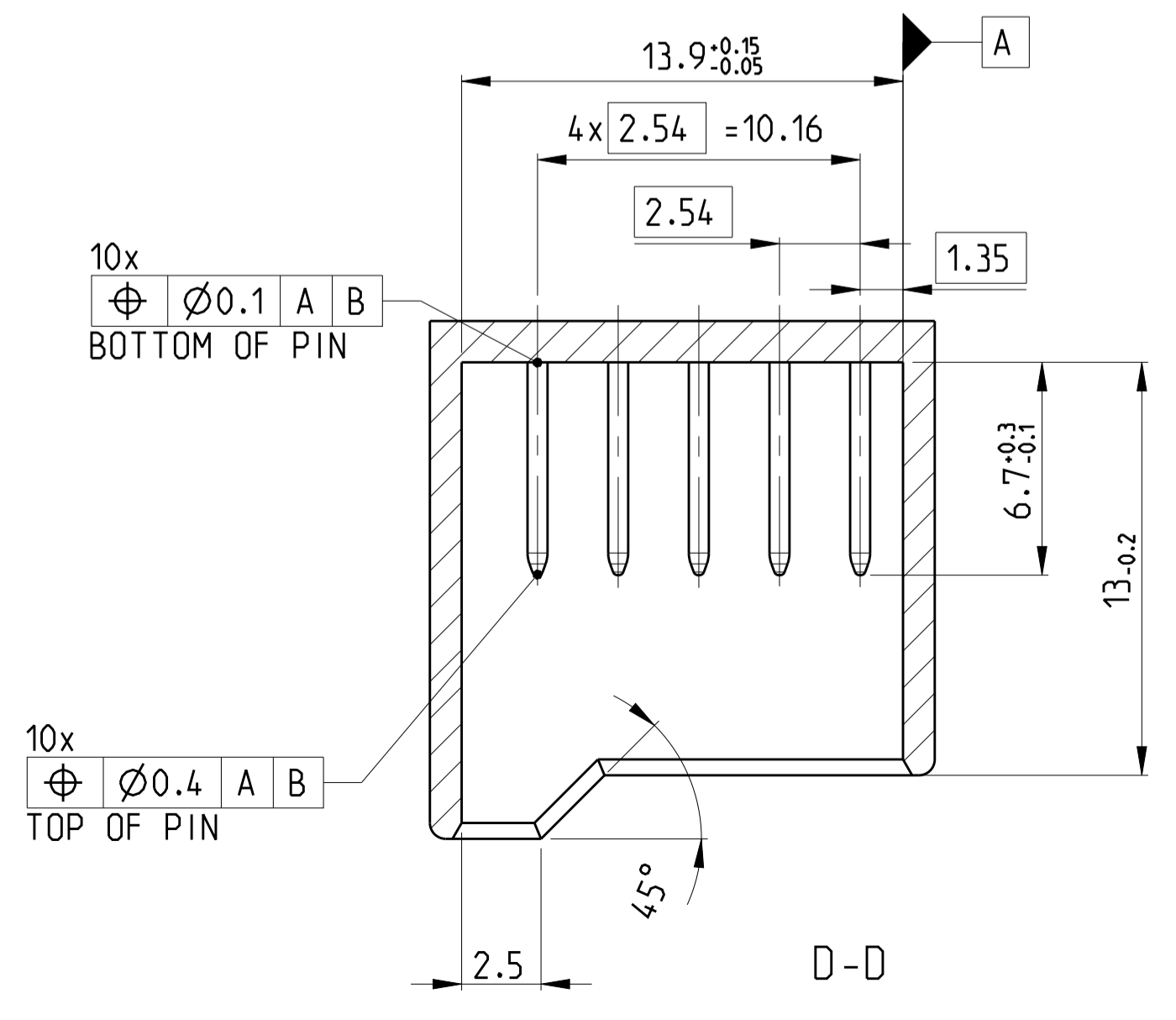
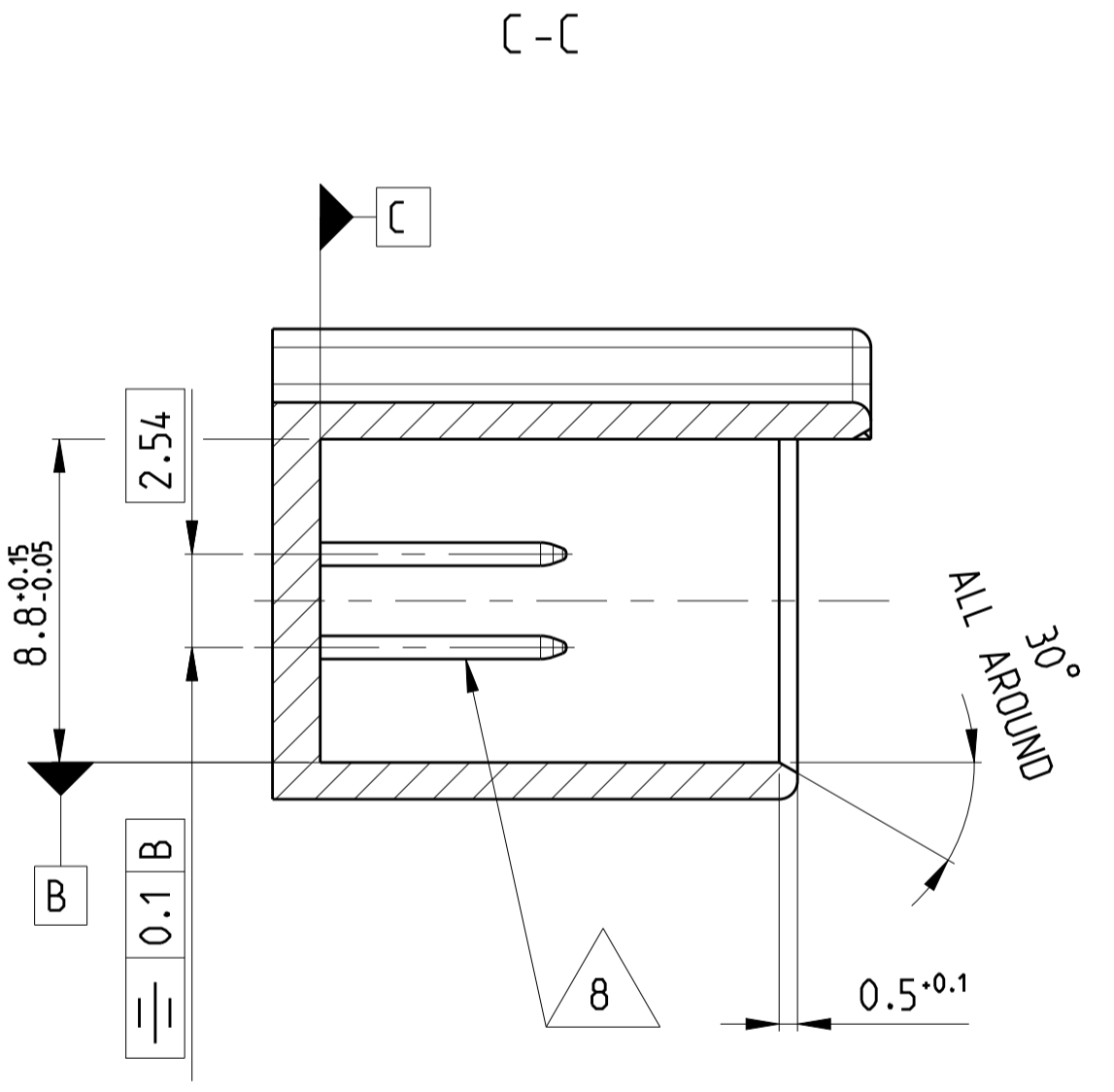
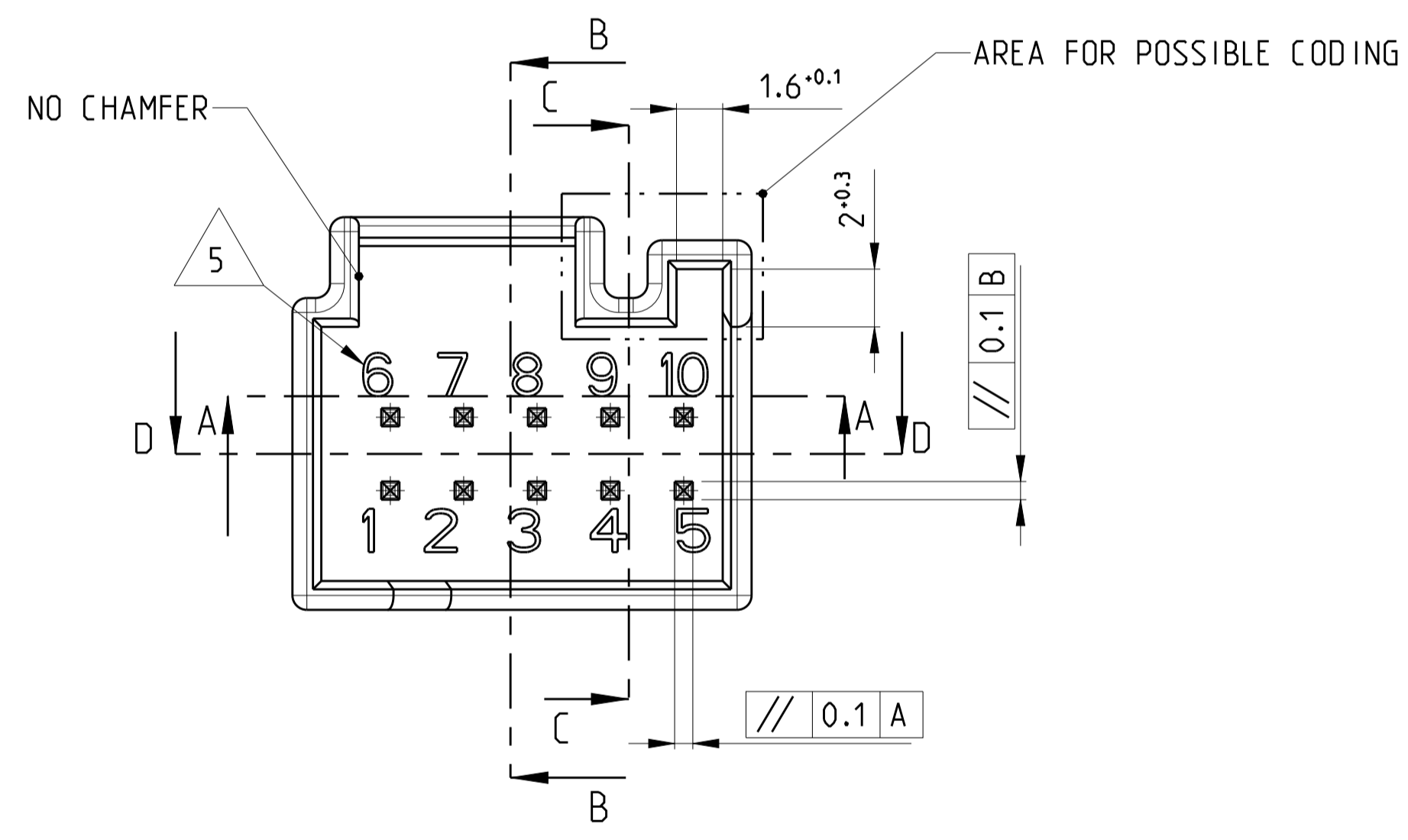
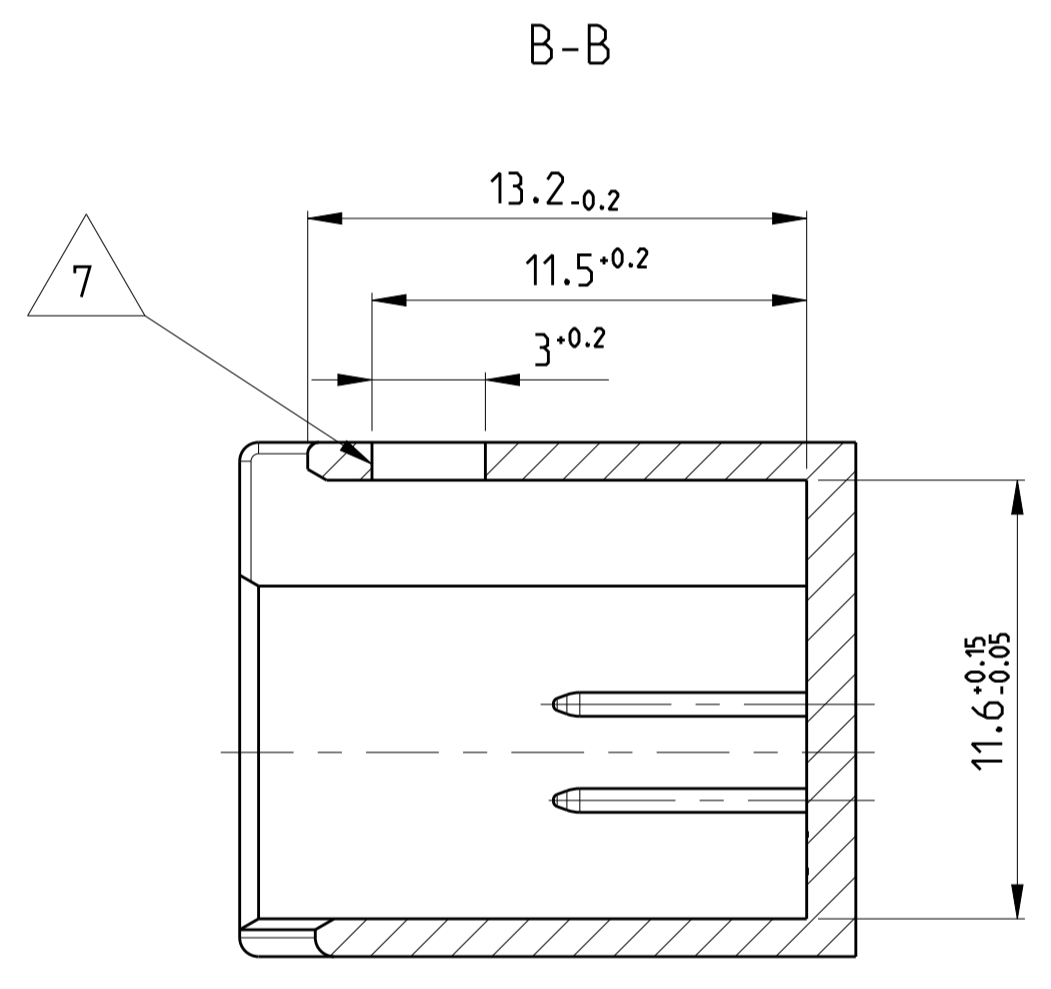
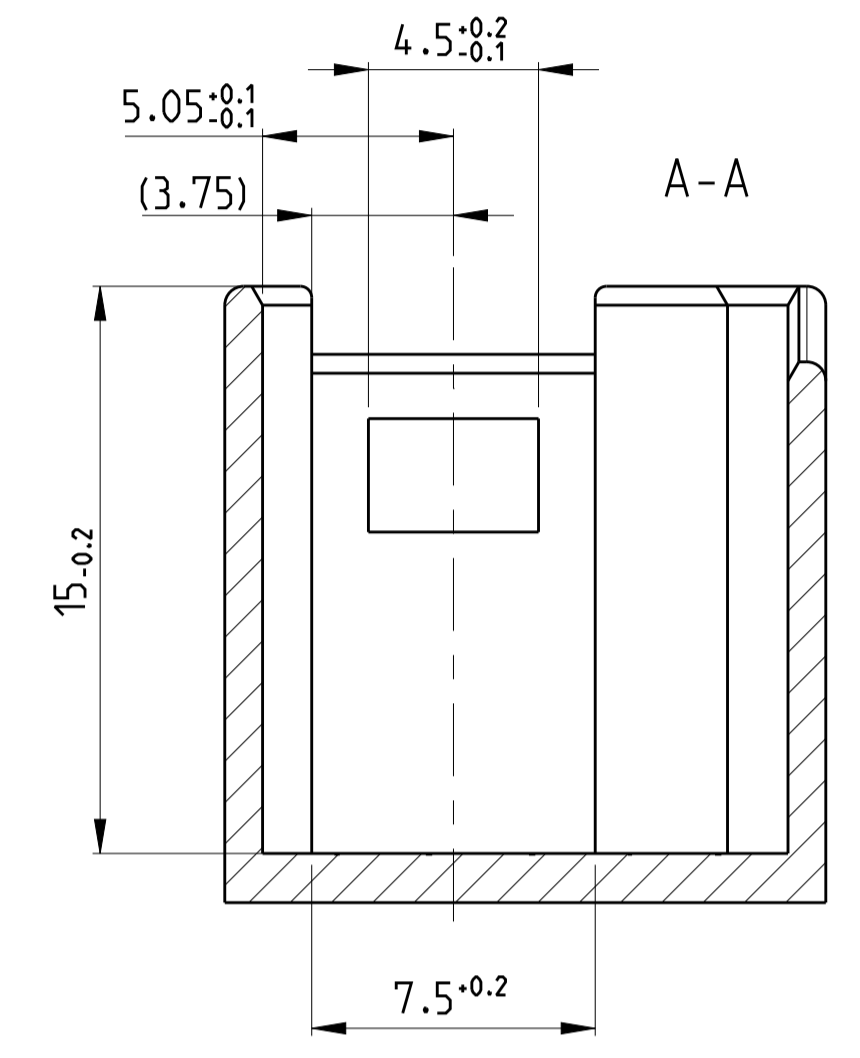
CODINGS
3:1



REVISIONS				
P	LTR	DESCRIPTION	DATE	APPD
-	-	SEE SHEET 1	-	-

NOTES:

- CODING A AS SHOWN
- REFERENCES [A], [B], FOR CENTERLINE DEFINITION 1 mm ABOVE REFERENCE [C]
- ALL SYMMETRIC DIMENSIONS $\equiv 0.05 \text{ } \text{C}$
- NO SPECIFIED RADII R0.5 mm
- CAVITY MARKING, CHARACTERS DEEP
- NO SPECIFIED WALL THICKNESS MIN. 1 mm
- IN THIS AREA MAX. 0.03 mm BURRS PERMITTED
- SPECIFICATION OF CONTACT PIN No 114-18063
- HEADER MATERIAL: PBT-GF10
- COUNTERPART SUITABLE FOR 10 POSITIONS MQS SOCKET HOUSING TE PN 2177198
- CODING AREA WITHOUT CHAMFER



THIS DRAWING IS A CONTROLLED DOCUMENT.		DWN: M. POLIZZI 05MAY2011	TE Connectivity
DIMENSIONS: mm		CHK: M. BANAS 05FEB2013	
TOLERANCES UNLESS OTHERWISE SPECIFIED:		APVD: M. BANAS 14FEB2013	NAME: COVER, 10 POSITION MICRO QUADLOCK SYSTEM
0 PLC ±0.15 1 PLC ±0.10 2 PLC ±0.10 3 PLC ±0.10 4 PLC ±0.10 ANGLES ±°		PRODUCT SPEC: 108-20319	SIZE: CAGE CODE: DRAWING NO: RESTRICTED TO:
MATERIAL: SEE TABLE		WEIGHT: SEE TABLE	A1 00779 C=2177198
FINISH: SEE TABLE		CUSTOMER DRAWING	SCALE: 5:1 SHEET 2 OF 2 REV: A2