


HC-D 7-KML-61/O1M20/PA

Order No.: 1604884

<http://eshop.phoenixcontact.de/phoenix/treeViewClick.do?UID=1604884>

HEAVYCON coupling housing D7, with single locking latch, height 51 mm, with support 1xM20, PA

Commercial data

| | |
|--------------------------|---|
| GTIN (EAN) |  4 017918 881603 |
| sales group | D011 |
| Pack | 10 pcs. |
| Customs tariff | 85472000 |
| Catalog page information | Page 509 (PC-2009) |

Product notes

WEEE/RoHS-compliant since:
03/01/2006

<http://www.download.phoenixcontact.com>
Please note that the data given here has been taken from the online catalog. For comprehensive information and data, please refer to the user documentation. The General Terms and Conditions of Use apply to Internet downloads.

Technical data

General data

| | |
|--------|---|
| Note | For contact inserts HC-D7, D8, A3, A4, B5, HS2-D7 |
| Design | D7 |
| Height | 61 mm |
| Width | 26.5 mm |
| Length | 26.5 mm |

| | |
|---------------------------------|--------------------------------|
| Housing type | Coupling housings |
| Locking type | With single locking latch |
| Type of the screw connection | 1x M20 |
| Degree of protection | IP54 / IP65 with sealing screw |
| Ambient temperature (operation) | -40 °C ... 125 °C |
| Housing material | PA |
| Housing surface material | PA, light gray |
| Material lock | PA |

Certificates / Approvals



Certification

GOST

Accessories

| Item | Designation | Description |
|------|-------------|-------------|
|------|-------------|-------------|

Assembly

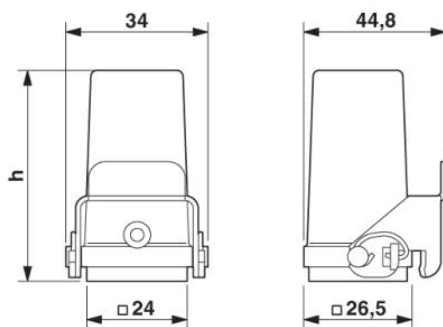
| | | |
|---------|----------------|------------------------------------|
| 1686229 | HC-D 7-DS-IP65 | Sealing screw, for IP65 protection |
|---------|----------------|------------------------------------|

General

| | | |
|---------|-------------|---|
| 1647967 | HC-M-DE-M20 | Pressure screw set, for housing with M20 thread, consisting of notched seal, 2 washers and pressure screw |
|---------|-------------|---|

Diagrams/Drawings

Dimensioned drawing



Address

PHOENIX CONTACT Inc., USA
586 Fulling Mill Road
Middletown, PA 17057, USA
Phone (800) 888-7388
Fax (717) 944-1625
<http://www.phoenixcon.com>



© 2010 Phoenix Contact
Technical modifications reserved;