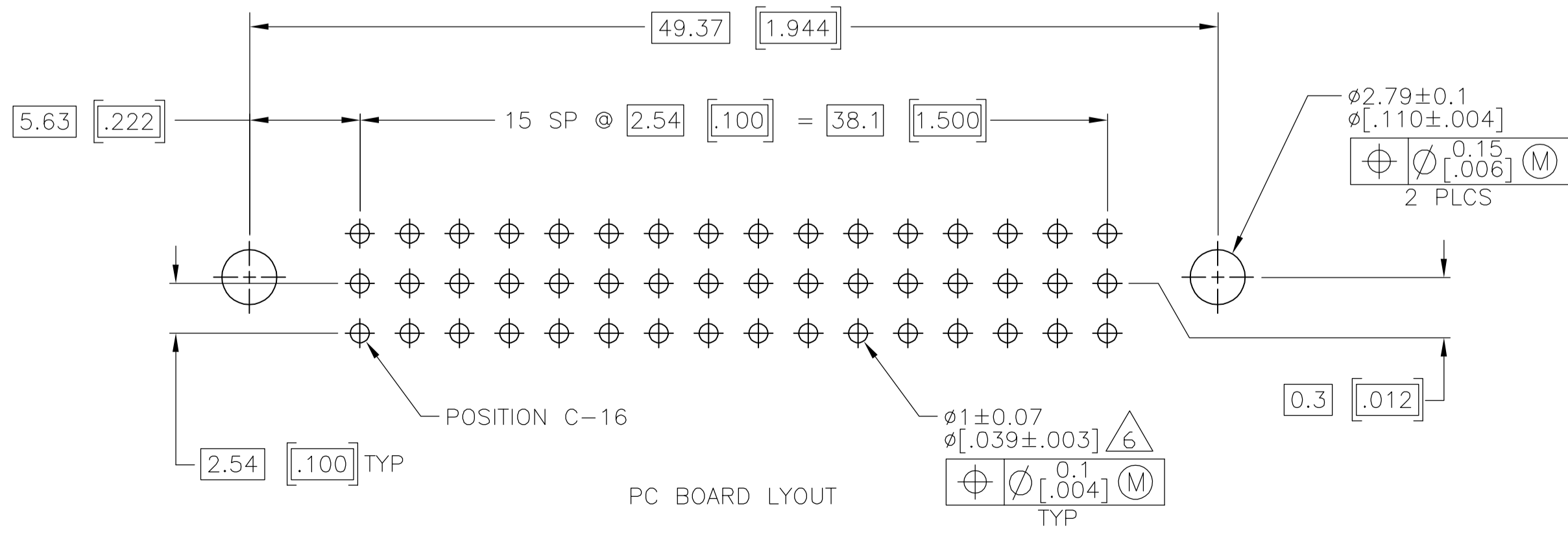
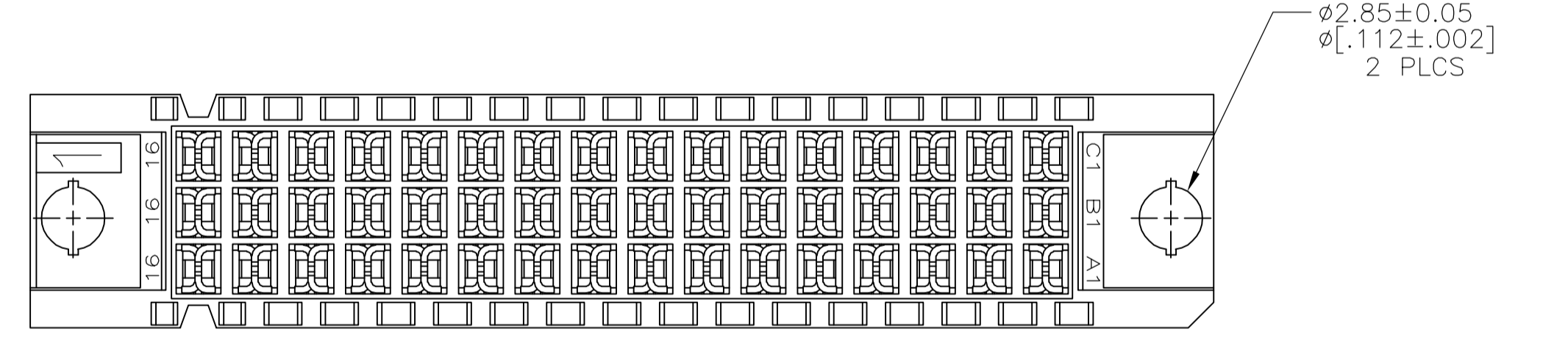
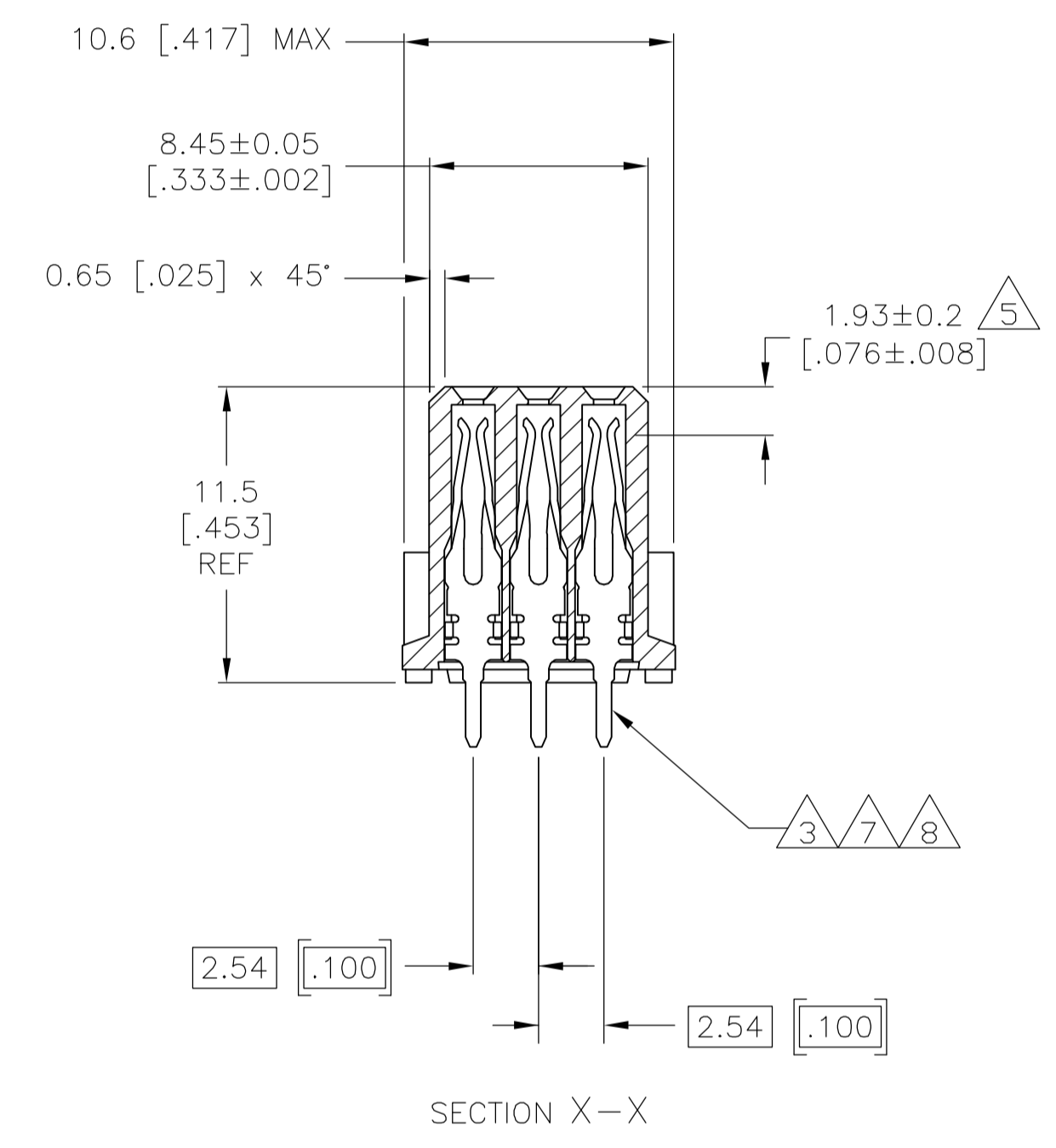
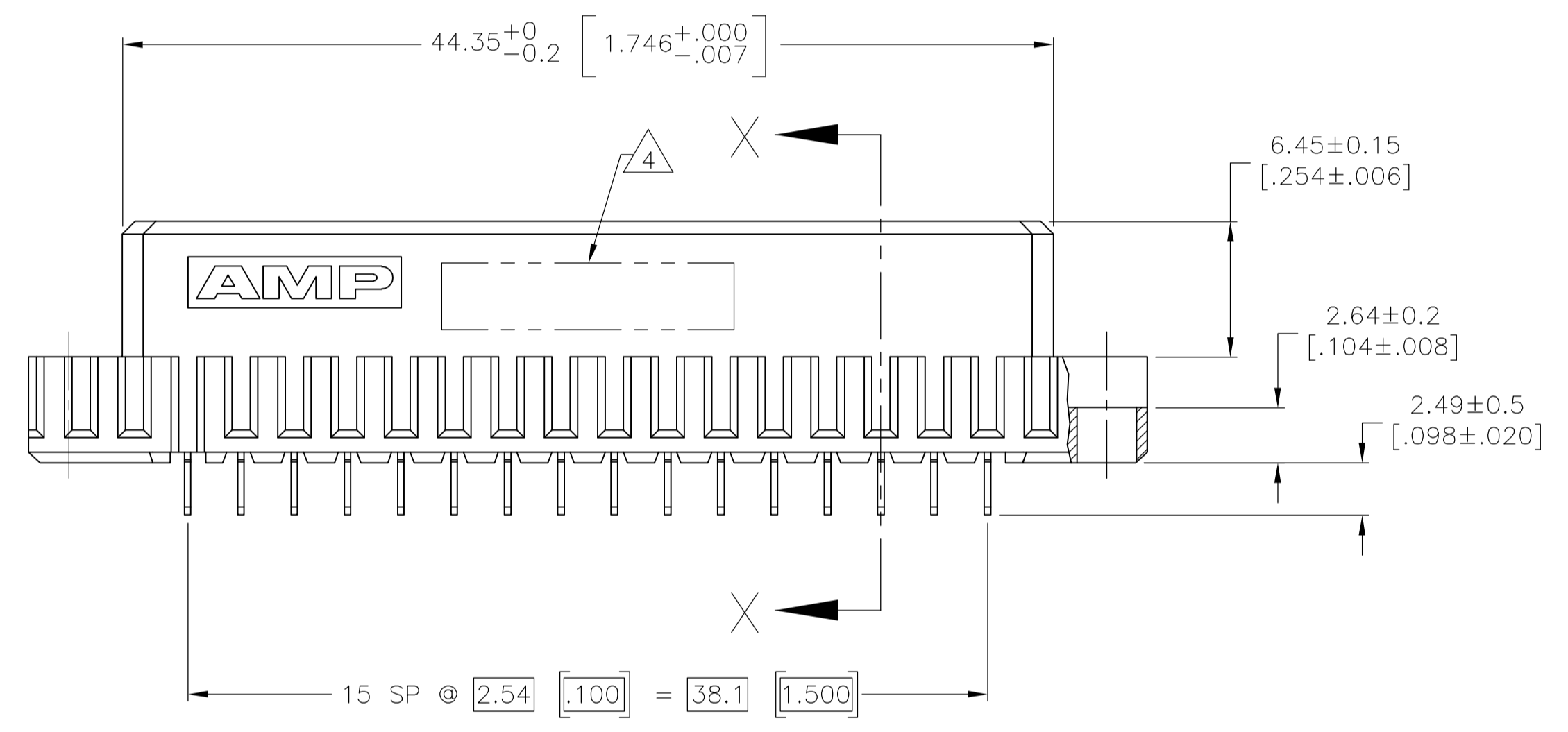


- 1 HOUSING MATERIAL: GLASS-FILLED POLYESTER. COLOR: GRAY.
- 2 CONTACT MATERIAL: PHOSPHOR BRONZE.
- 3 CONTACT FINISH: 0.00076[.000030] GOLD IN CONTACT AREA. 0.00127[.000050] NICKEL UNDERPLATE ALL OVER. TIN-LEAD ON POSTS.
- 4 PART NUMBER, DATE CODE IDENTIFICATION, CSA LOGO IN THIS APPROXIMATE AREA.
- 5 POINT OF MEASUREMENT FOR GOLD.
- 6 RECOMMENDED HOLE SIZE FOR MANUAL APPLICATION OF CONNECTOR ONTO PC BOARD.
- 7 CONTACT FINISH: DIN 41612 CLASS 3 IN CONTACT AREA. 0.00127 [.000050] NICKEL UNDERPLATE ALL OVER. TIN-LEAD ON POSTS.
- 8 CONTACT FINISH: DIN 41612 CLASS 2 IN CONTACT AREA. 0.00127 [.000050] NICKEL UNDERPLATE ALL OVER. TIN-LEAD ON POSTS.



OBSELETE	7	1 THRU 16	X	X	X	48	535091-9
	8	1 THRU 16	X	X	X	48	535091-5
SUPERSEDED BY 535091-5	3	1 THRU 16	X	X	X	48	535091-4
NOTES	POSITIONS LOADED	C	B	A	NO. OF LOADED POSITIONS	ASSY PART NUMBER	

THIS DRAWING IS A CONTROLLED DOCUMENT.

DIMENSIONS: mm [INCHES]	TOLERANCES UNLESS OTHERWISE SPECIFIED:	DIN L BRINER 6/11/89	tyco Electronics	Tyco Electronics Corporation		
0 PLC ± -	1 PLC ± -	CHK R PATTERSON 8/4/92		Harrisburg, PA 17105-3608		
2 PLC ± ± 0.13 [.005]	3 PLC ± ± -	APP'D R PATTERSON 8/4/92				
4 PLC ± ± -	ANGLES ± ± -	PRODUCT SPEC				
MATERIAL	FINISH	APPLICATION SPEC	SIZE	CAGE CODE	DRAWING NO	RESTRICTED TO
1 2	3 7 8		A1	00779	535091	
CUSTOMER DRAWING		SCALE	4:1	SHEET	1 of 1	REV H