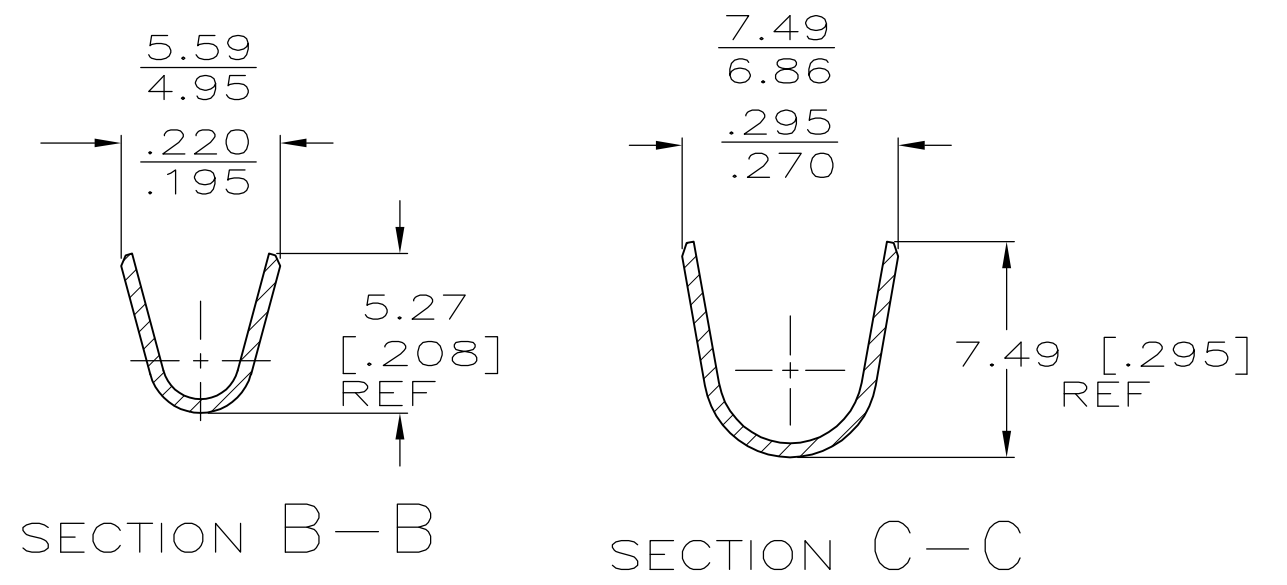
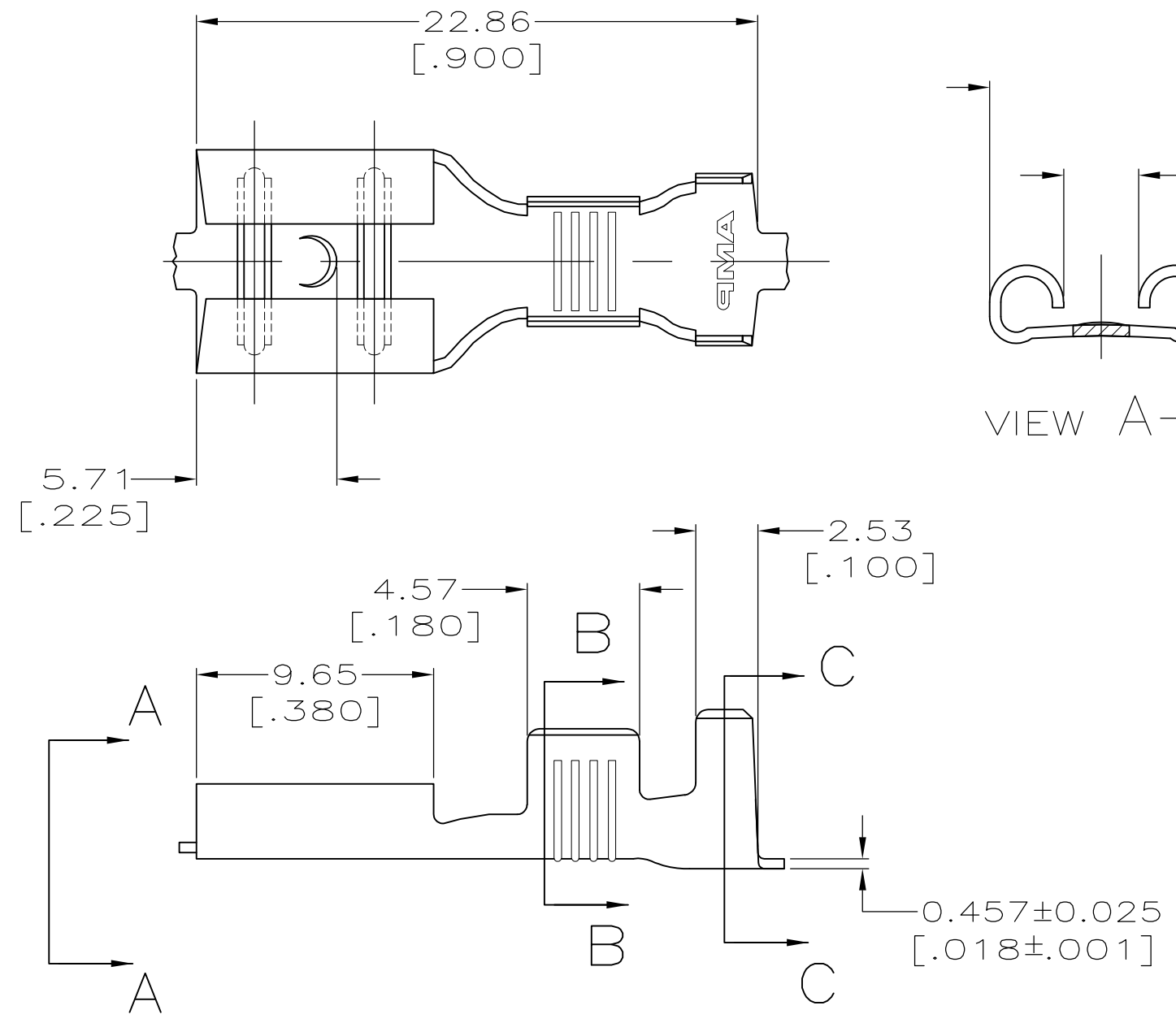


THIS DRAWING IS UNPUBLISHED. RELEASED FOR PUBLICATION
 © COPYRIGHT - By - ALL RIGHTS RESERVED.

| LOC | DIST | REVISIONS | | | | | |
|-----|------|-----------|-----|---------------------------|---------|-----|------|
| AF | 50 | P | LTR | DESCRIPTION | DATE | DWN | APVD |
| | | | F | REVISED PER ECR-12-013518 | 24NOV12 | KH | PD |

- 1 CONTINUOUS STRIP ON REELS
- 2 WIRE SIZE IS #14-#10 AWG
- 3 INSULATION RANGE IS 3.81-5.08
[.150-.200] DIA.
- 4 MATING TAB THK IS 0.81±0.025
[.032±.001]
- △5 PRELIMINARY - NOT FOR PRODUCTION



| | |
|------------------------------|------------|
| TIN | △5 63820-3 |
| 0.00381 [.000150] MIN SILVER | 63820-1 |
| FINISH | PART NO. |

| | | | | | | |
|--------------------|----------------|----------------------------------|-------------------|----------------|-----------------------------|------|
| F | 6.35 [.250] | 6.40 [.252] | F | 3.56 [.140] | 1.98 [.078] [#14] | |
| | | | | | 2.29 [.090] [#12] | |
| | | | | | 2.74 [.108] [#10] | |
| TYPE | WIDTH | STRIP LENGTH ±0.38 ±[.015] | TYPE | WIDTH | ±0.051 ±[.002] HEIGHT | WIRE |
| INSUL BARREL CRIMP | | | WIRE BARREL CRIMP | | | |

THIS DRAWING IS A CONTROLLED DOCUMENT.

| | | | |
|----------------------------|--|--------------------------------|--|
| DIMENSIONS: mm [INCHES] | TOLERANCES UNLESS OTHERWISE SPECIFIED: | DWN JR RUTH 11/3/94 | TE Connectivity RECEPTACLE, FASTON, 7.92 [.312] SERIES |
| | 0 PLC ± - | CHK MS FEHER 11/3/94 | |
| | 1 PLC ± - | APVD J GILLESPIE 11/3/94 | |
| | 2 PLC ± 0.25 [.010] | NAME | |
| | 3 PLC ± - | PRODUCT SPEC | |
| | 4 PLC ± - | APPLICATION SPEC | |
| | ANGLES ± - | 114-2036 | SIZE |
| MATERIAL BRASS | FINISH SEE TABLE | WEIGHT - | CAGE CODE A300779 |
| | | CUSTOMER DRAWING | DRAWING NO C-63820 |
| | | | RESTRICTED TO - |
| | | | SCALE 4:1 |
| | | | SHEET 1 OF 1 |
| | | | REV F |