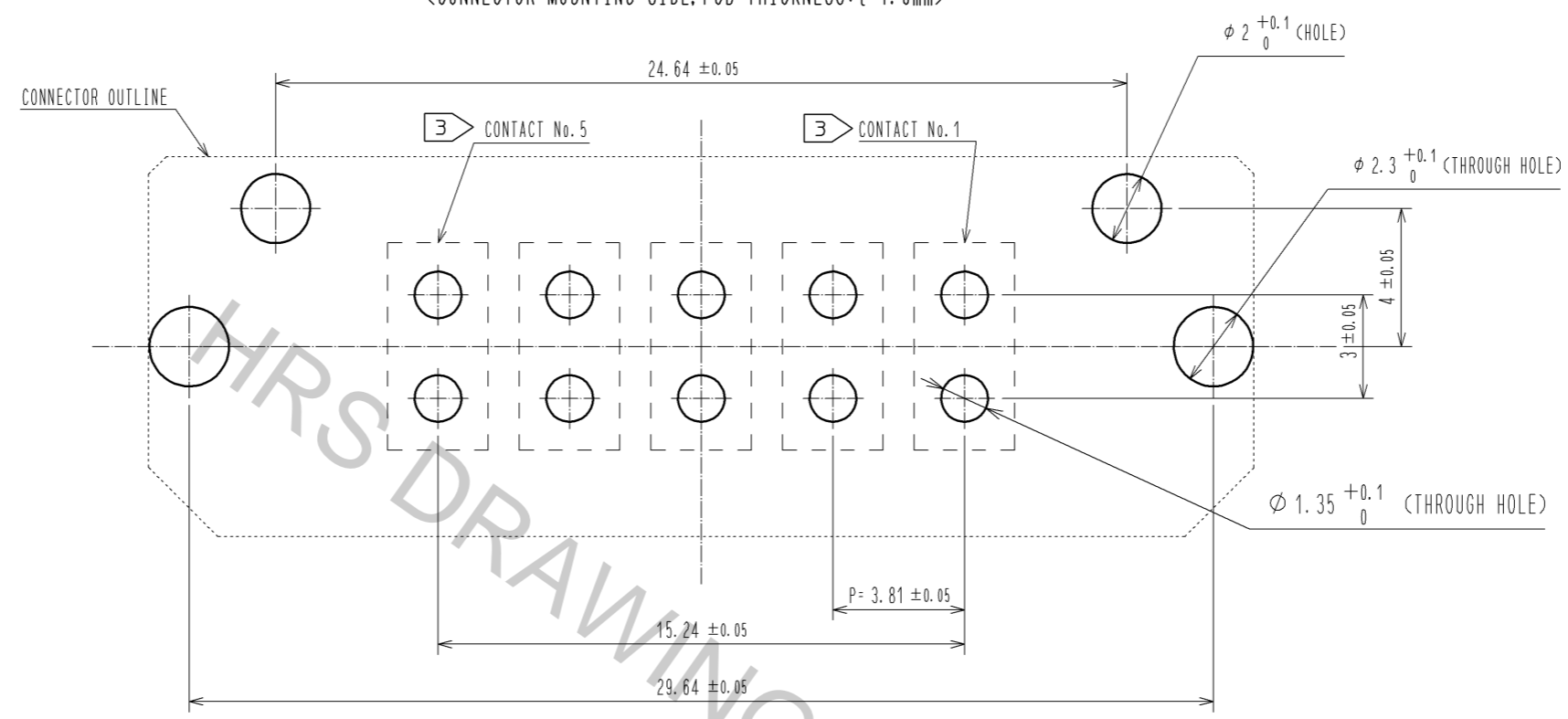


- NOTE
- 1 THIS PRODUCT IS PACKAGED IN TRAY. (35pcs/TRAY)
 - 2 BLEMISH AND HIT MARK CAN BE OCCURED THROUGH OUT THE MANUFACTURING PROCESS WHICH DOESN'T AFFECT QUALITY LEVEL. ALSO, BLACK SPOT COULD BE OBSERVED ON THE SURFACE OF HOUSING.
 - 3 FOR THE CONTACT NO., ADJACENT TWO PAIRS OF LEADS PLACED BACK-TO-BACK (4 LEADS IN TOTAL) COMPOSE ONE LINE.
 - 4 MISALIGNMENT ABSORBING RANGE: ± 0.3mm max.
 - 5 THE DIMENSION IN PARENTHESES ARE FOR REFERENCES.
 - 6 LOT NO. IS INDICATED AT EITHER ONE OF THE POSITION AS SHOWN.

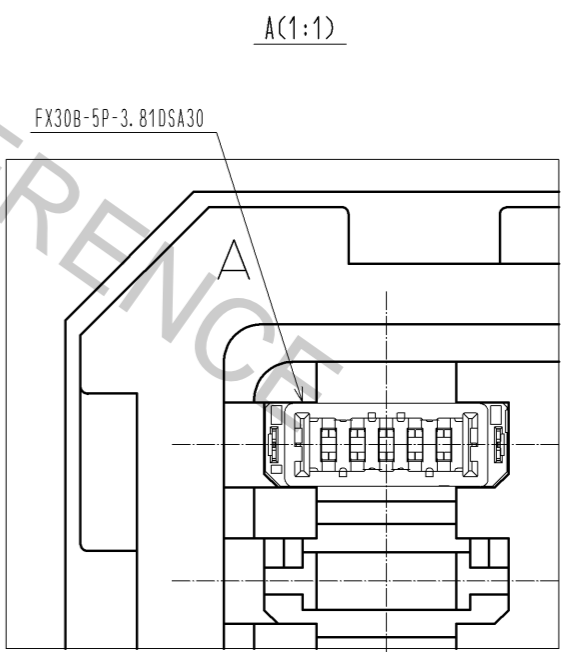
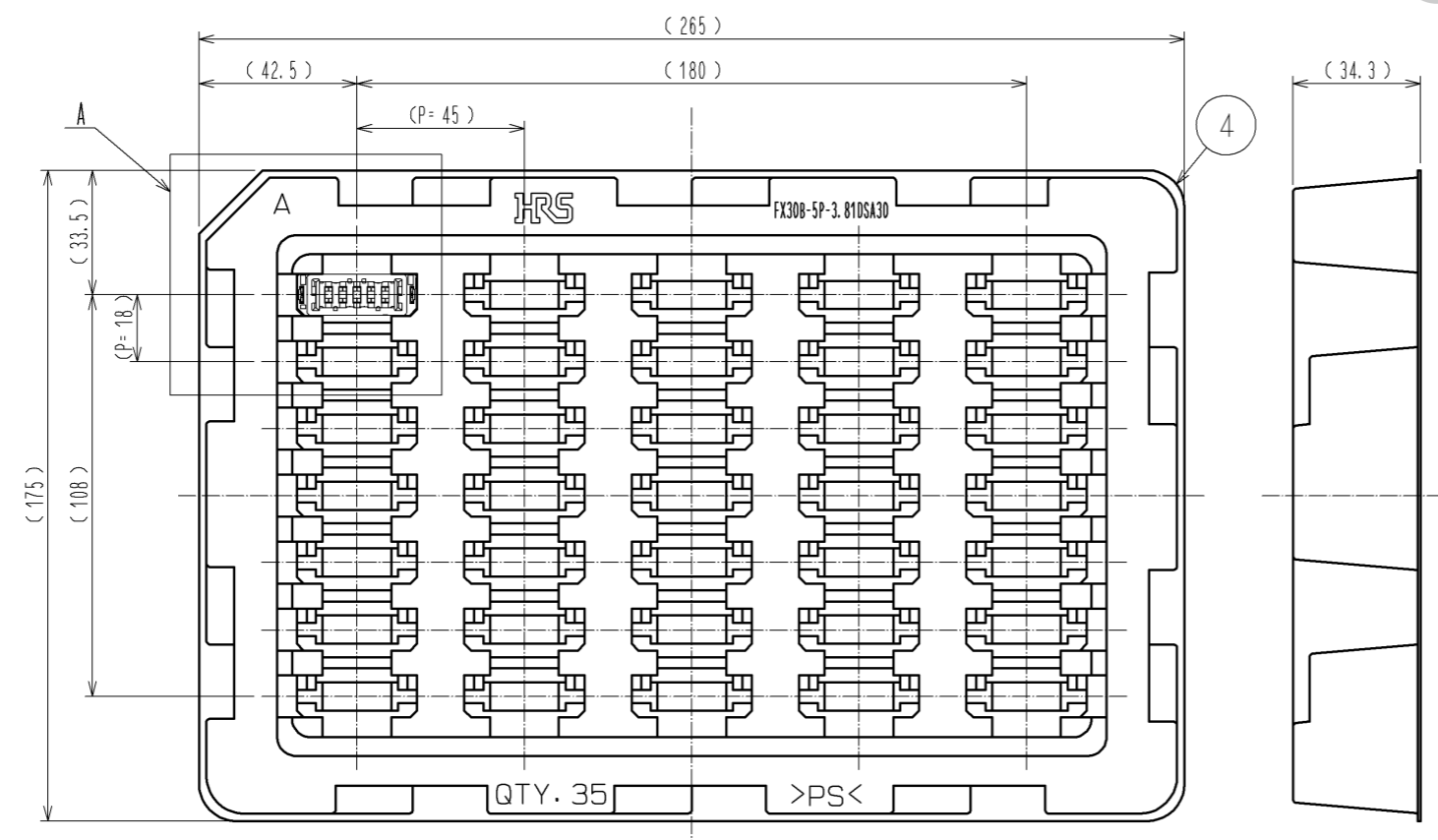
2	COPPER ALLOY	CONTACT AREA:GOLD-PLATING 0.1 μm	4	POLYSTYRENE			
		LEAD AREA:TIN-PLATING 1.0 μm					
		UNDER PLATING:NICKEL 1.0 μm					
1	POLYAMIDE	BLACK UL94V-0	3	PHOSPHOR BRONZE			
		TIN-PLATING 3.0 μm					
		UNDER PLATING:NICKEL 1.0 μm					
NO.	MATERIAL	FINISH . REMARKS	NO.	MATERIAL	FINISH . REMARKS		
UNITS mm		SCALE 2 : 1	COUNT △	DESCRIPTION OF REVISIONS	DESIGNED	CHECKED	DATE
HRS HIROSE ELECTRIC CO., LTD.		APPROVED : HS. OKAWA	13.03.13	DRAWING NO.	EDC3-347267-00		
		CHECED : KI. HIROKAWA	13.03.12	PART NO.	FX30B-5P-3.81DSA30		
		DESIGNED : DK. AIMOTO	13.03.11	CODE NO.	CL570-3303-0-00		
		DRAWN : DK. AIMOTO	13.03.11		△ 1/2		

Apr.1.2017 Copyright 2017 HIROSE ELECTRIC CO., LTD. All Rights Reserved.

RECOMMENDED HOLE PATTERN DIMENSION OF PCB(5:1)
(CONNECTOR MOUNTING SIDE, PCB THICKNESS: t=1.6mm)



1 DRAWING FOR PACKAGING(1:2)



HRS	DRAWING NO.	EDC3-347267-00	△ 2/2
	PART NO.	FX30B-5P-3.81DSA30	
	CODE NO.	CL570-3303-0-00	