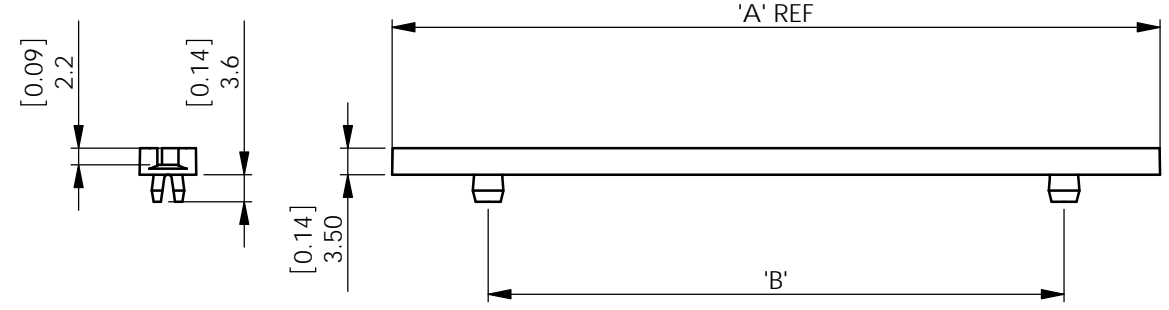
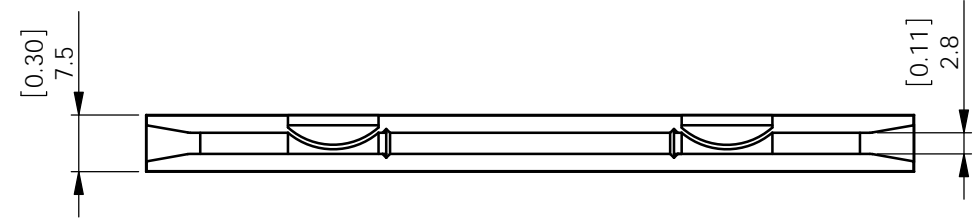
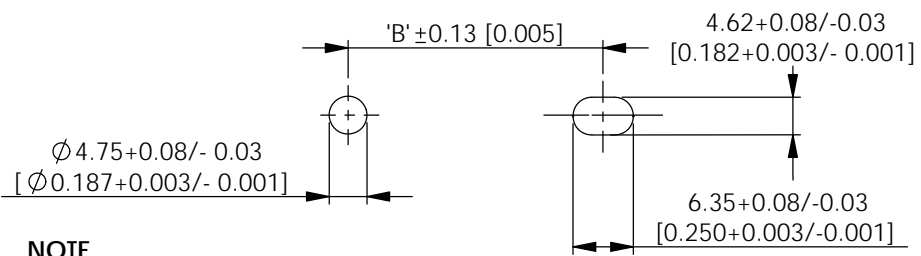


REV.	MODIFICATION.	DATE	DRN
01	Sales Release	04/09/09	PH
02	CO2011179	29/07/11	SF
03	CO2011212	31/10/11	SF



**PANEL DETAILS**



**NOTE**  
ACCEPTS PCB 0.8 TO 2.0 [0.032 TO 0.079]  
MOUNTS INTO PANEL 0.5 TO 2.0 [0.020 TO 0.079]

Part Number	Dimension 'A' REF	Dimension 'B' ± 0.25 [0.01]
MPCGCN-250	63.5 [2.50]	38.1 [1.50]
MPCGCN-300	76.2 [3.00]	50.8 [2.00]
MPCGCN-400	101.6 [4.00]	76.2 [3.00]
MPCGCN-550	139.7 [5.50]	114.4 [4.50]

ALTERNATE UNITS FOR REFERENCE ONLY

INFORMATION CONTAINED IN THIS DOCUMENT IS CONFIDENTIAL TO RICHCO INTERNATIONAL Co. Ltd. AND MAY NOT BE DISCLOSED OR REPRODUCED IN WHOLE OR PART WITHOUT THEIR WRITTEN CONSENT.

<b>RICHCO, INC.</b> <a href="http://WWW.RICHCO-INC.COM">WWW.RICHCO-INC.COM</a>	ALL DIMENSIONS IN mm GENERAL TOLERANCES ±0.25 UNLESS OTHERWISE STATED 1 DECIMAL PLACE ± 2 DECIMAL PLACES ± ANGULAR ±1°	THIRD ANGLE 

MATERIAL: Nylon 6 Conductive Compound (RMS -392)      COLOUR: BLACK

DESCRIPTION: ESD MULTI PANEL CARD GUIDE      PART No: SEE TABLE

DRG No: 09-091      NPR No: EU09-0046      SHEET SIZE A4

DRN PH	DATE 21/08/09	CHKD TC	DATE 04/09/09	SCALE NTS	SHEET No. 1 OF 1
-----------	------------------	------------	------------------	--------------	---------------------