

## Sensor/Actuator cable - SAC-3P- 2,0-400/MINFR - 1532108

Please be informed that the data shown in this PDF Document is generated from our Online Catalog. Please find the complete data in the user's documentation. Our General Terms of Use for Downloads are valid (<http://phoenixcontact.com/download>)



Sensor/Actuator cable, 3-position, PVC, Yellow RAL 1021, free cable end, on Socket angled 7/8"-16UNF, A-coded, Cable length: 2 m

### Product Features

- ✓ Easy and safe: 100% electrically tested plug-in components
- ✓ Robust connectors in size 7/8"-16UNF
- ✓ High-performance: connectors and cables with a large conductor cross section for power supply



### Key commercial data

Packing unit	1 pc
Weight per Piece (excluding packing)	156.9 GRM
Custom tariff number	85444290
Country of origin	Germany

### Technical data

#### Dimensions

Length of cable	2 m
-----------------	-----

#### Ambient conditions

Ambient temperature (operation)	-25 °C ... 80 °C (Plug / socket)
Degree of protection	IP65
	IP67
	IP68

#### General

Rated current at 40°C	10 A
Rated voltage	300 V
Number of positions	3
Contact resistance	≤ 5 mΩ

## Sensor/Actuator cable - SAC-3P- 2,0-400/MINFR - 1532108

### Technical data

#### General

Insulation resistance	≥ 10 MΩ
Coding	A - standard
Status display	No
Protective circuit/component	Unwired
Surge voltage category	II
Pollution degree	2
Test voltage	2500 V
Insertion/withdrawal cycles	> 500

#### Material

Inflammability class according to UL 94	HB
Contact material	CuSn
Contact surface material	Au
Contact carrier material	PUR
Material of grip body	PUR
Material, knurls	Nickel-plated brass

#### Cable

Cable type	PVC yellow IEC color code
Conductor cross section	0.75 mm <sup>2</sup>
AWG signal line	18
Conductor structure signal line	41x 0.16 mm
Wire colors	brown, blue, black
External sheath, color	Yellow RAL 1021
External cable diameter	5.80 mm
Outer sheath, material	PVC
Ambient temperature (operation)	-10 °C ... 105 °C (cable, fixed installation)
	-5 °C ... 105 °C (cable, flexible installation)

### Classifications

#### eCl@ss

eCl@ss 4.0	27060306
eCl@ss 4.1	27060306
eCl@ss 5.0	27061801
eCl@ss 5.1	27061801
eCl@ss 6.0	27061801
eCl@ss 7.0	27061801

# Sensor/Actuator cable - SAC-3P- 2,0-400/MINFR - 1532108

## Classifications

eCl@ss

eCl@ss 8.0	27061801
------------	----------

## ETIM

ETIM 2.0	EC000830
ETIM 3.0	EC001855
ETIM 4.0	EC001855
ETIM 5.0	EC001855

## UNSPSC

UNSPSC 6.01	31251501
UNSPSC 7.0901	31251501
UNSPSC 11	31251501
UNSPSC 12.01	31251501
UNSPSC 13.2	31251501

## Approvals

### Approvals

Approvals

UL Listed / cUL Listed / cULus Listed

Ex Approvals

Approvals submitted

### Approval details

UL Listed	
mm <sup>2</sup> /AWG/kcmil	18
Nominal current I <sub>N</sub>	10 A
Nominal voltage U <sub>N</sub>	300 V

# Sensor/Actuator cable - SAC-3P- 2,0-400/MINFR - 1532108

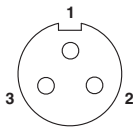
## Approvals

cUL Listed	
mm <sup>2</sup> /AWG/kcmil	18
Nominal current I <sub>N</sub>	10 A
Nominal voltage U <sub>N</sub>	300 V

cULus Listed	
--------------	--

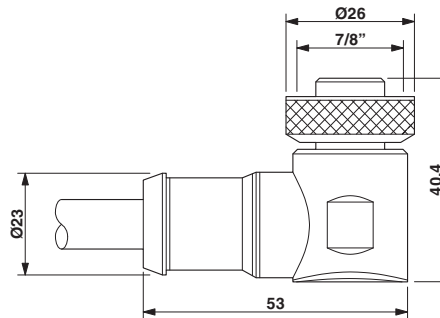
## Drawings

Schematic diagram



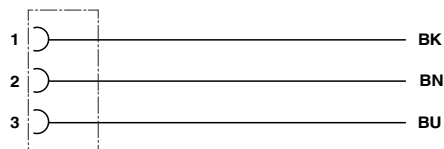
Pin assignment, socket, 7/8"-16UNF, 3-pos., view of female side

Dimensioned drawing



7/8"-16UNF socket, angled

Circuit diagram



Contact assignment of 7/8" plugs/sockets, cable type 400

