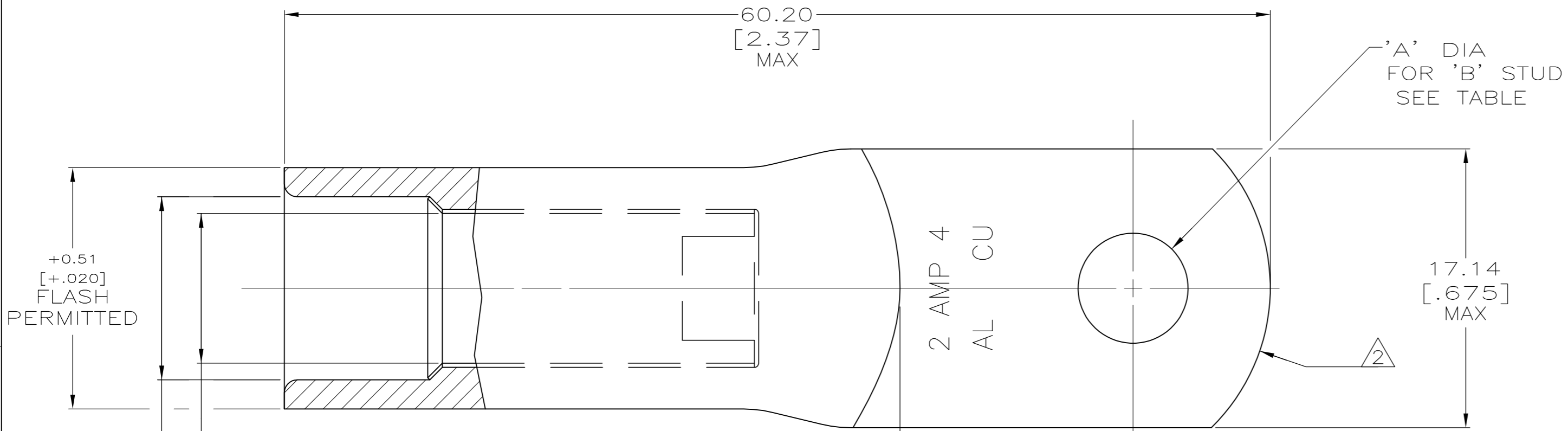
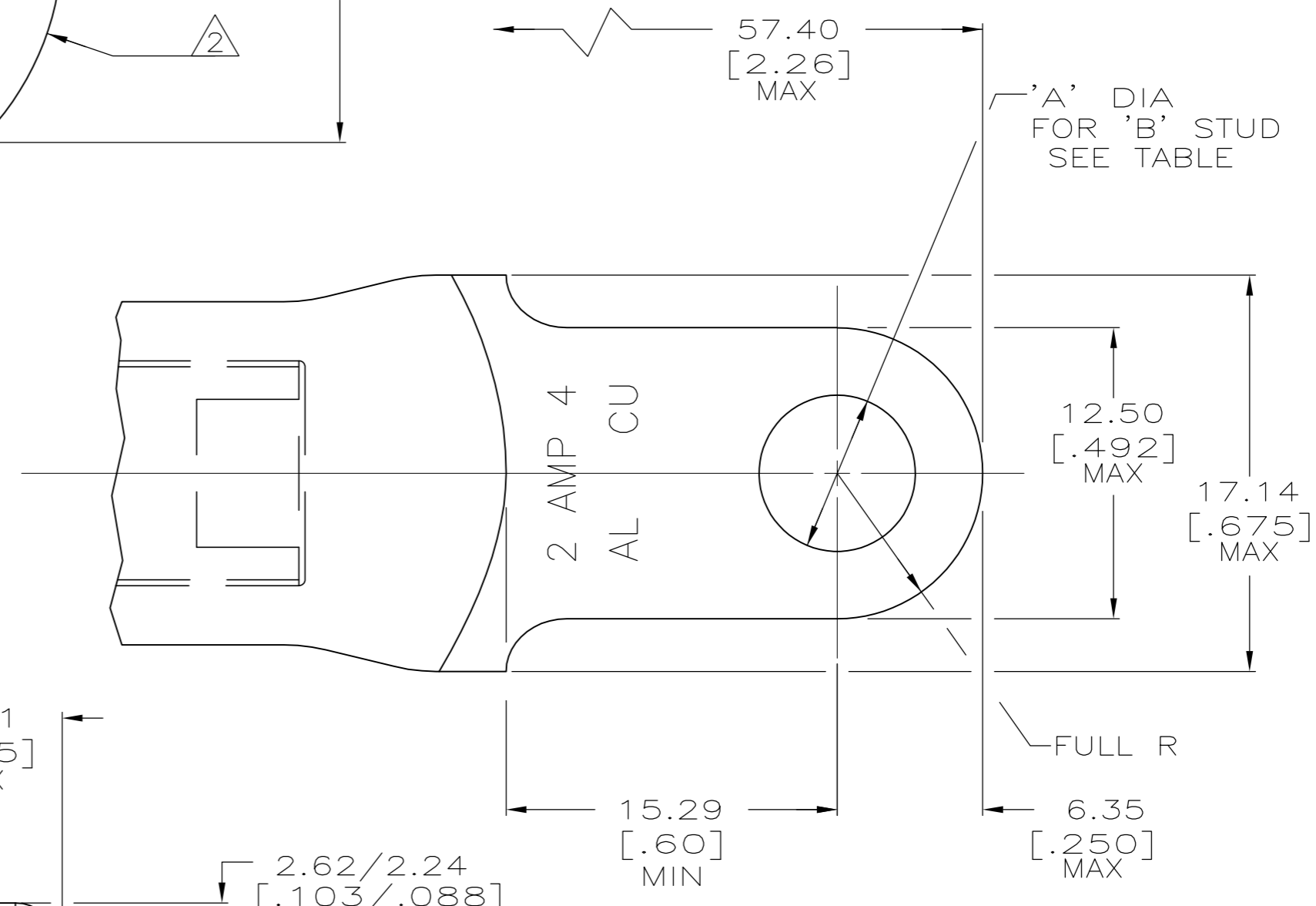
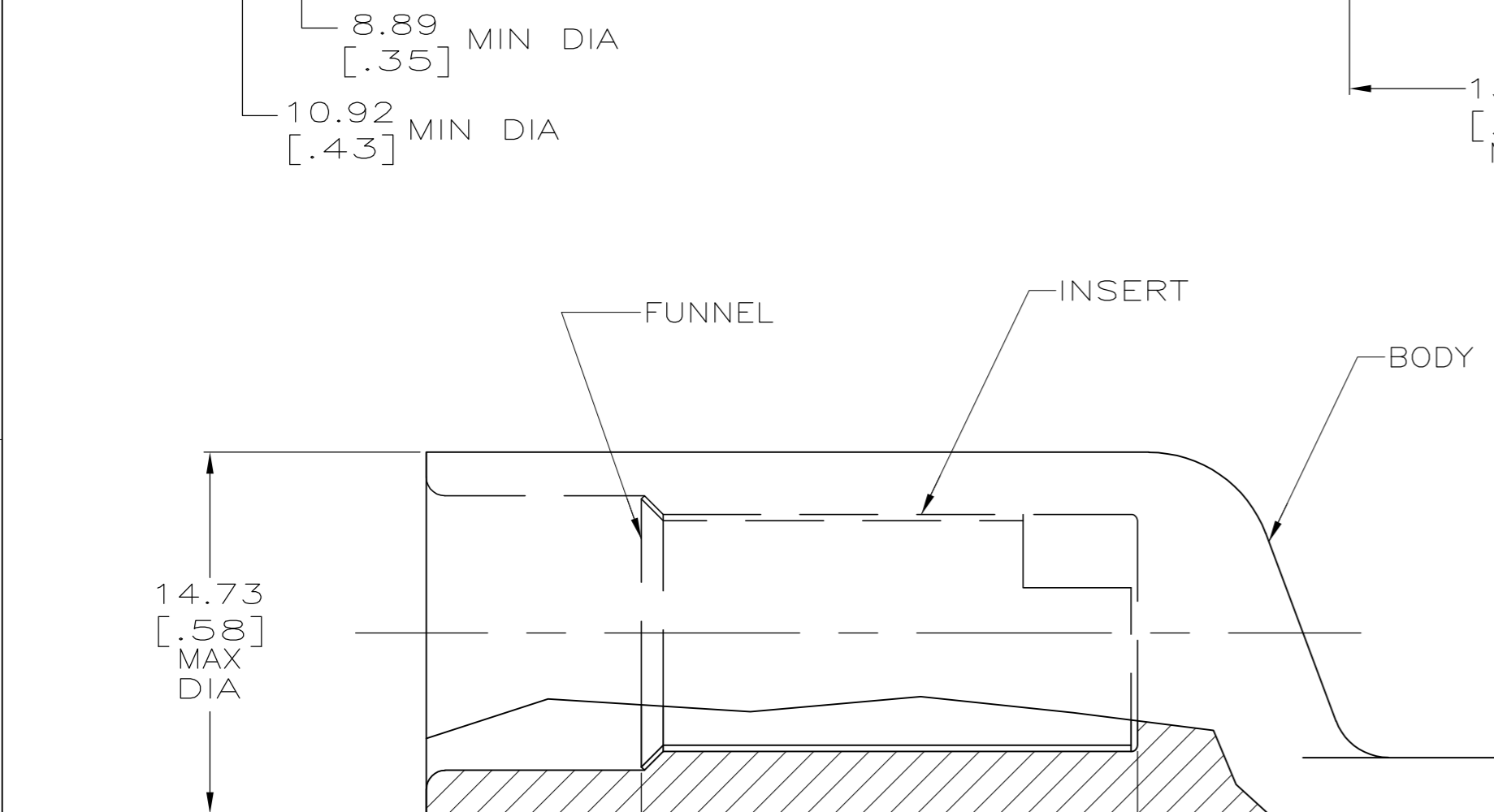


THIS DRAWING IS UNPUBLISHED. RELEASED FOR PUBLICATION
 © COPYRIGHT - By - ALL RIGHTS RESERVED.

LOC	DIST	REVISIONS					
		P	LTR	DESCRIPTION	DATE	DWN	APVD
G	86	J		REV PER ECO-12-008339	21JUN12	PY	BW



- 1 WIRE INSULATION: 8.64[.340] - 9.65[.380] DIA
- △ THE TONGUE RADIUS FEATURE IS NOT A TOOLING CONTROLLED DIMENSION AND MAY NOT BE A TRUE RADIUS.



FOR 277150-4 ONLY

WEIGHT	'A'	'B'	MATERIAL & FINISH	PART NO.
34.0 ±3 GRAMS	6.73±0.13 [.265±.005]	1/4	BODY: COPPER ASTM-B187 ANNEALED TIN PL MIL-T-10727 0.00381[.000150] MIN THK INSERT & FUNNEL: BRASS ASTM B36 NICKEL PL SAE AMS QQ-N-290A, DATED JULY 2000, 0.00254 [.000100] MIN THK	277150-4
35.5 ±3 GRAMS	9.91±0.13 [.390±.005]	3/8		277150-3
36.0 ±3 GRAMS	8.33±0.13 [.328±.005]	5/16		277150-2
	6.73±0.13 [.265±.005]	1/4		277150-1

THIS DRAWING IS A CONTROLLED DOCUMENT.

DWN DK SCHRUM 6/23/89	 TE Connectivity				
CHK MS FEHER 10/16/90					
APVD AJ KAUFMAN 10/23/90					
PRODUCT SPEC 108-11011					
APPLICATION SPEC 114-2134	NAME WIRE TERMINAL, RING TONGUE, SEALED COPALUM, 35.0mm [2] ALUMINUM 22.0mm [4] COPPER				
MATERIAL SEE TABLE	FINISH SEE TABLE	SIZE A2	CAGE CODE 00779	DRAWING NO C-277150	RESTRICTED TO -
CUSTOMER DRAWING		SCALE 4:1	SHEET 1 of 1	REV J	