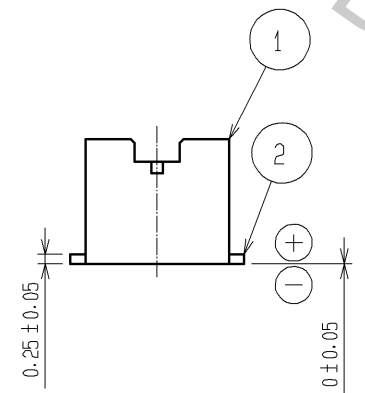
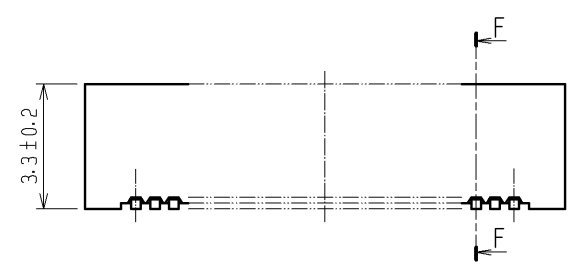
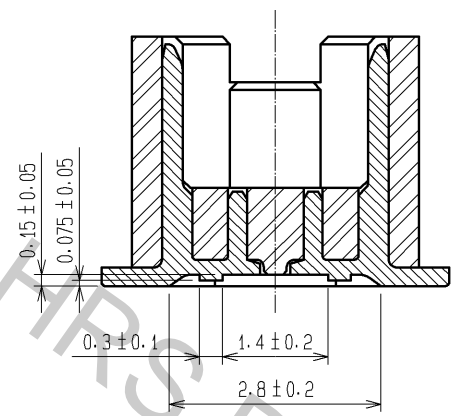
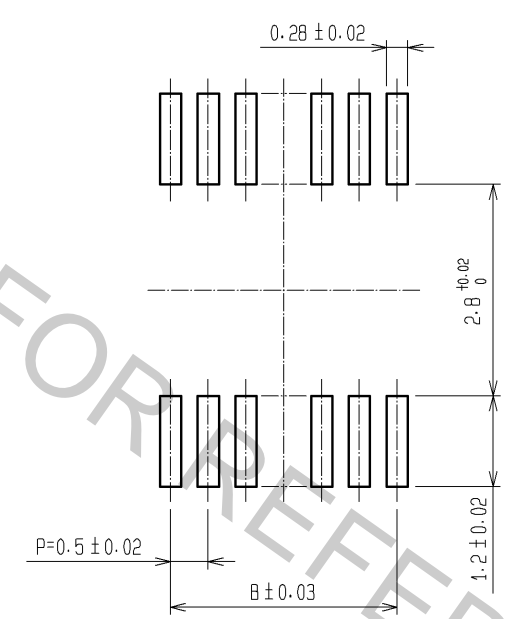


F-F (10:1)

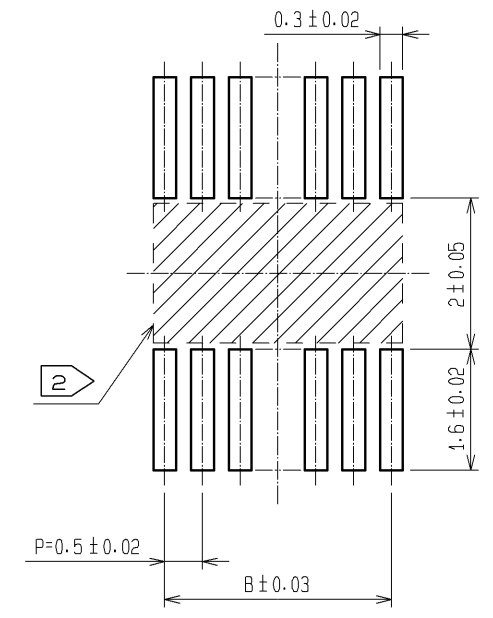


CODE No.	CONTACT	A	B	C	D	E
CL537-0553-7-81	20	7.2	4.5	5.3	5.7	5.3
CL537-0555-2-81	30	9.7	7.0	7.8	8.2	7.8
CL537-0929-0-81	32	10.2	7.5	8.3	8.7	8.3
CL537-0556-5-81	36	11.2	8.5	9.3	9.7	9.3
CL537-0557-8-81	40	12.2	9.5	10.3	10.7	10.3
CL537-0559-3-81	50	14.7	12.0	12.8	13.2	12.8
CL537-0561-5-81	60	17.2	14.5	15.3	15.7	15.3

RECOMMEND METAL MASK PATTERN (10:1)

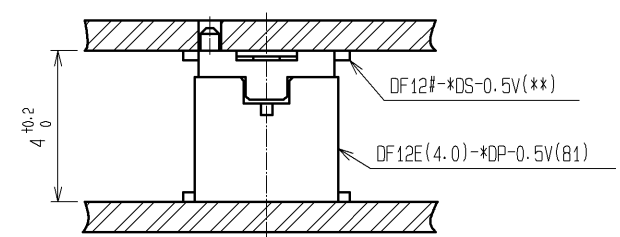
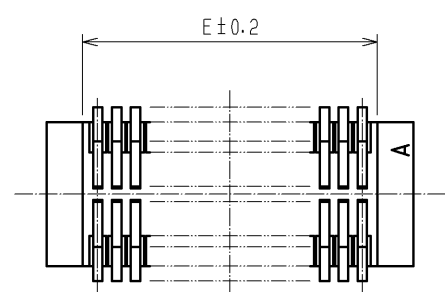


RECOMMENDED LAND PATTERN (10:1)



RECOMMENDED THICKNESS OF METAL MASK : 120 μm

RECOMMENDED THICKNESS OF SOLDER PASTE : 120 μm



NOTES 1 LEAD CO-PLANARITY SHALL BE 0.08 mm MAX.  
 2 IF THERE IS PATTERN ON PART, THERE IS A POSSIBILITY THAT IT WILL MAKE CONTACT WITH THE LEADS.

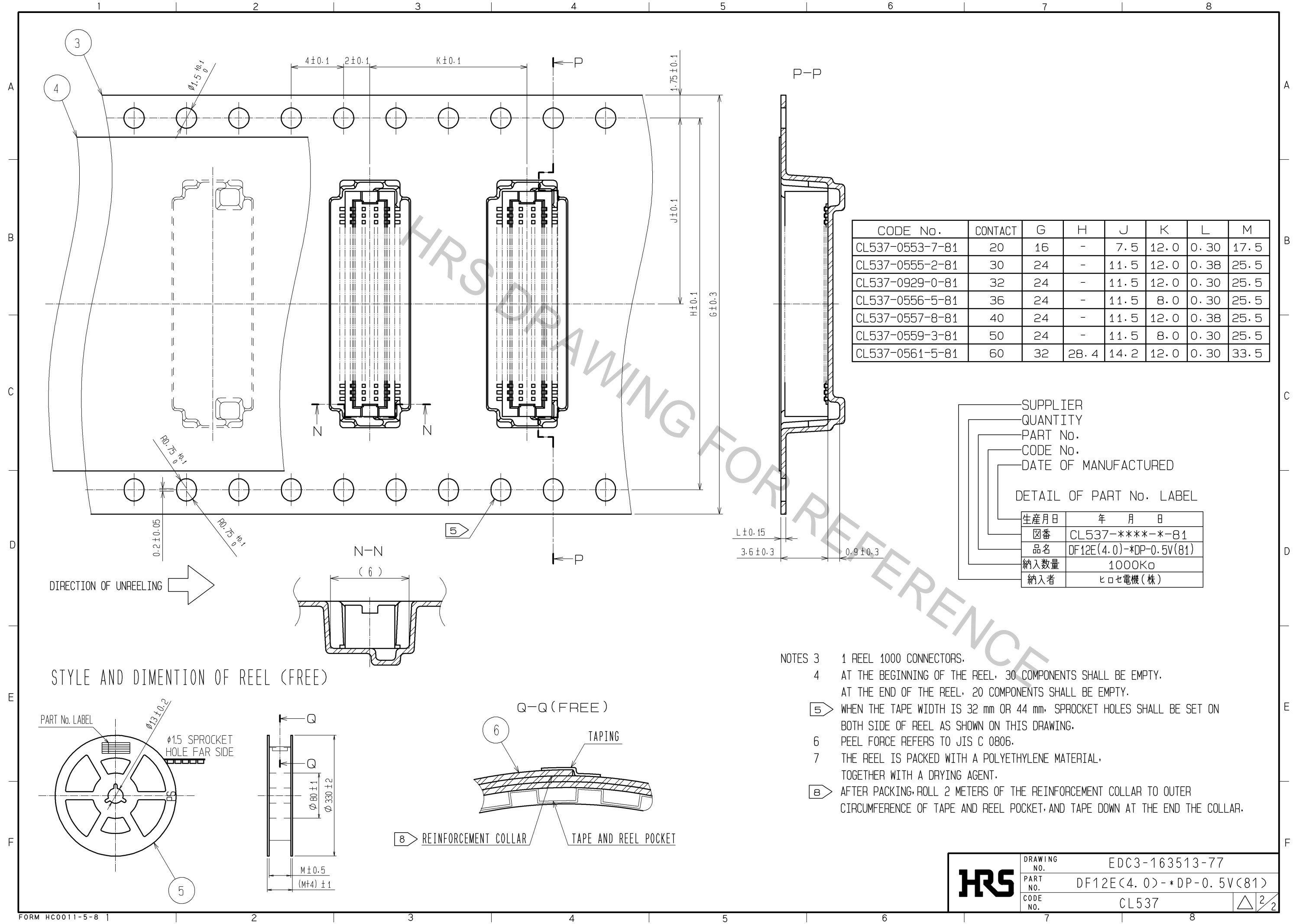
NO.	MATERIAL	FINISH	REMARKS	NO.	MATERIAL	FINISH	REMARKS
2	PHOSPHOR BRONZE		CONTACT AREA:GOLD PLATED 0.2μm min LEAD AREA:GOLD PLATED 0.015μm min OTHERS(UNDER PLATING):NICKEL PLATED 2μm min	6	PS		CLEAR (REINFORCEMENT COLLAR)
				5	PS		BLACK (PLASTIC REEL)
				4	POLYESTER		CLEAR (COVER TAPE)
1	POLYAMIDE		UL94V-0, NATURAL (BEIGE)	3	PS		CLEAR (EMBOSSED CARRIER TAPE)

UNITS	SCALE	COUNT	DESCRIPTION OF REVISIONS	DESIGNED	CHECKED	DATE
mm	5:1	△	APPROVED : KH. IKEDA 12.04.17 CHECKED : YH. MICHIDA 12.04.16 DESIGNED : YN. SAKAMOTO 12.04.13 DRAWN : YN. SAKAMOTO 12.04.13			

DRAWING NO.	PART NO.	CODE NO.
EDC3-163513-77	DF12E(4.0)-*DP-0.5V(81)	CL537



CODE No.	CONTACT	G	H	J	K	L	M
CL537-0553-7-81	20	16	-	7.5	12.0	0.30	17.5
CL537-0555-2-81	30	24	-	11.5	12.0	0.38	25.5
CL537-0929-0-81	32	24	-	11.5	12.0	0.30	25.5
CL537-0556-5-81	36	24	-	11.5	8.0	0.30	25.5
CL537-0557-8-81	40	24	-	11.5	12.0	0.38	25.5
CL537-0559-3-81	50	24	-	11.5	8.0	0.30	25.5
CL537-0561-5-81	60	32	28.4	14.2	12.0	0.30	33.5

SUPPLIER  
 QUANTITY  
 PART No.  
 CODE No.  
 DATE OF MANUFACTURED

DETAIL OF PART No. LABEL

生産月日	年 月 日
図番	CL537-****-*-81
品名	DF12E(4.0)-*DP-0.5V(81)
納入数量	1000K口
納入者	ヒロセ電機(株)

- NOTES
- 1 REEL 1000 CONNECTORS.
  - AT THE BEGINNING OF THE REEL, 30 COMPONENTS SHALL BE EMPTY.  
AT THE END OF THE REEL, 20 COMPONENTS SHALL BE EMPTY.
  - WHEN THE TAPE WIDTH IS 32 mm OR 44 mm, SPROCKET HOLES SHALL BE SET ON BOTH SIDE OF REEL AS SHOWN ON THIS DRAWING.
  - PEEL FORCE REFERS TO JIS C 0806.
  - THE REEL IS PACKED WITH A POLYETHYLENE MATERIAL, TOGETHER WITH A DRYING AGENT.
  - AFTER PACKING, ROLL 2 METERS OF THE REINFORCEMENT COLLAR TO OUTER CIRCUMFERENCE OF TAPE AND REEL POCKET, AND TAPE DOWN AT THE END THE COLLAR.

<b>HRS</b>	DRAWING NO.	EDC3-163513-77
	PART NO.	DF12E(4.0)-*DP-0.5V(81)
	CODE NO.	CL537
		△ 2/2