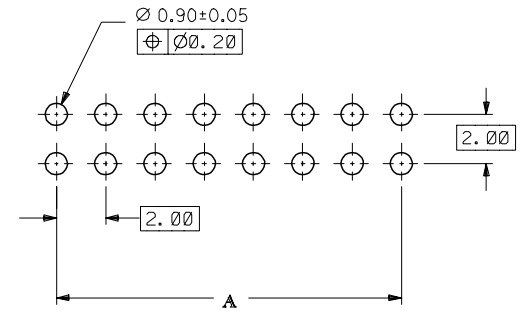
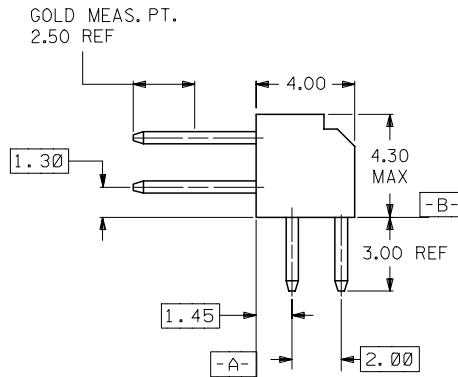
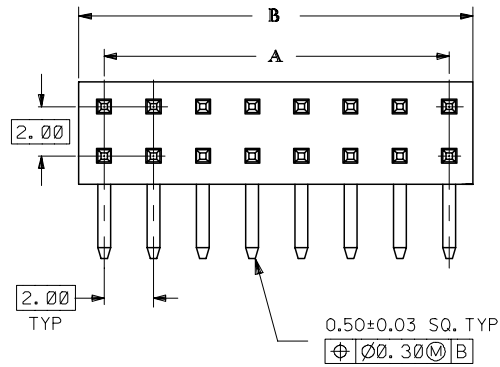
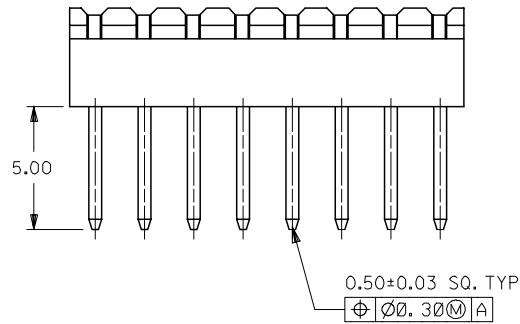


10 9 8 7 6 5 4 3 2 1

| | | | | |
|------------------|------------------------|-------------|-----------|-------|
| PLATING Δ | PART NUMBER IN TRAY | CKT SIZE | DIMENSION | |
| | | | A | B |
| TIN/LEAD | 87760-0002 | 16 | 14.00 | 16.00 |
| TIN | 87760-0006 | 16 | 14.00 | 16.00 |



RECOMMENDED P.C. PATTERN

NOTES:

Δ PLATING:
 0.38um / 15u" MIN. GOLD IN CONTACT AREA
 TIN/LEAD OR TIN IN SOLDER TAIL AREA
 BOTH OVER NICKEL OVERALL

2) MATERIAL:
 HOUSING : HIGH TEMPERATURE THERMOPLASTIC,
 94V-0, COLOR - BLACK
 PIN : 0.5mm SQ. BRASS

3) PRODUCT SPECIFICATION PS-87761-100 APPLIES.

4) RECOMMENDED PC BOARD THICKNESS IS 1.60 ± 0.13mm.

5) PART PACKED IN TRAY.

| | | | | | | | | | | |
|--|-------------|--|--|-------|-----------------|-------------|--------------|---|--|--|
| EC NO: S2005-0307 2004/10/18 DRAWN: BOKOK CHKD: PTLIM APPR: SLOW 2004/10/19 | DESCRIPTION | QUALITY SYMBOLS $\blacktriangledown = 0$ $\sphericalangle = 0$ | GENERAL TOLERANCES (UNLESS SPECIFIED) | | DIMENSION STYLE | SCALE | DESIGN UNITS | THIRD ANGLE PROJECTION | | |
| | | | mm | INCH | MM ONLY | NTS | METRIC | | | |
| REV | REV | DESCRIPTION | 4 PLACES | ± --- | ± --- | DRAWN BY | DATE | TITLE SALES DRAWING MGRID, 2MM DUAL ROW HDR. R/A | | |
| | | | 3 PLACES | ± --- | ± --- | KSEE | 2002/11/20 | | | |
| | | | 2 PLACES | ± 0.2 | ± --- | CHECKED BY | DATE | MOLEX INCORPORATED | | |
| | | | 1 PLACE | ± --- | ± --- | KCLING | 2002/12/04 | | | |
| | | | ANGULAR ± 3 ° | | | APPROVED BY | DATE | DOCUMENT NO. SD-87760-012 | | |
| | | | DRAFT WHERE APPLICABLE MUST REMAIN WITHIN DIMENSIONS | | | SKTOH | 2002/12/05 | | | |
| | | | SIZE A3 | | SEE TABLE | | | THIS DRAWING CONTAINS INFORMATION THAT IS PROPRIETARY TO MOLEX INCORPORATED AND SHOULD NOT BE USED WITHOUT WRITTEN PERMISSION | | |

9 8 7 6 5 4 3 2 1