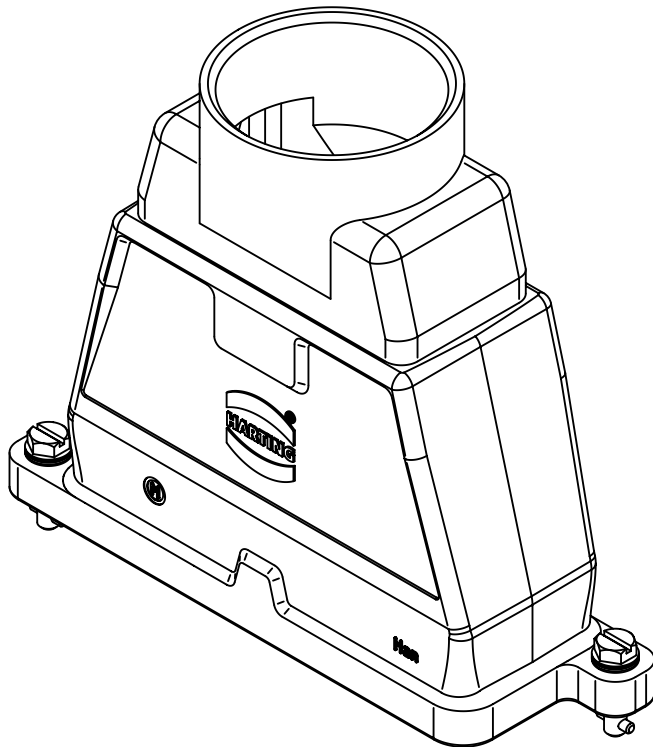
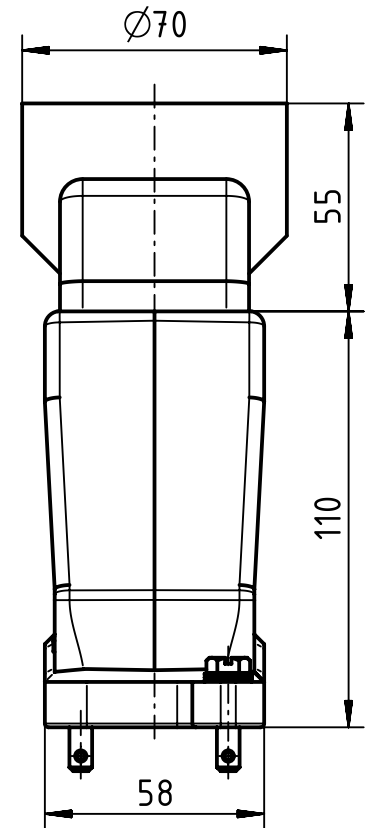
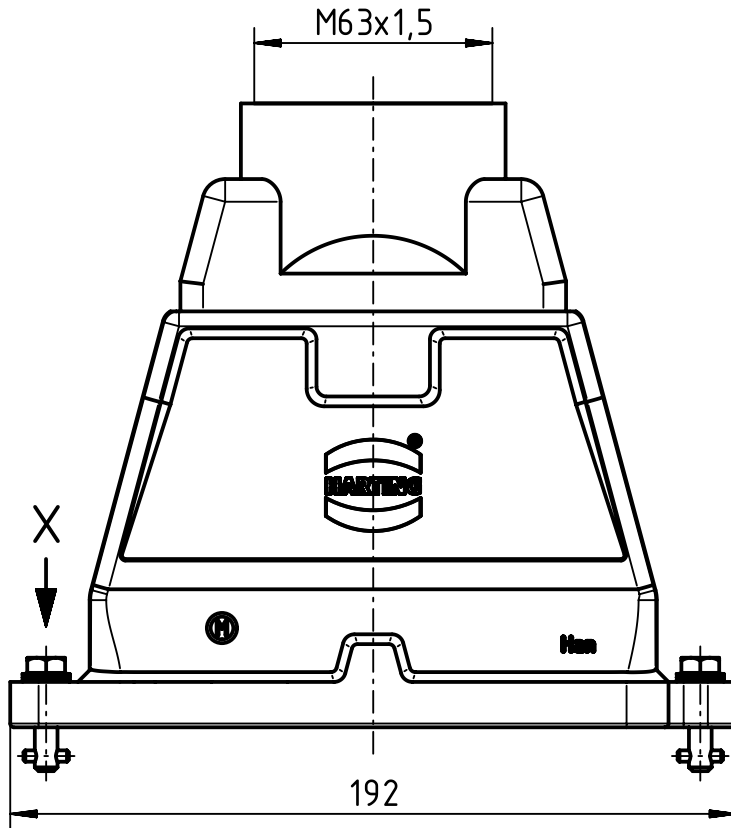
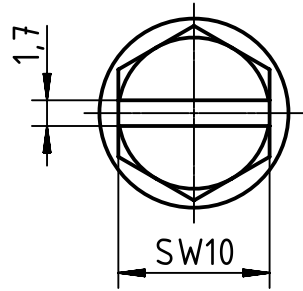


X (2:1)



	All Dimensions in mm Original Size DIN A4		Scale 1:2	Free size tol.		Ref. Sub. TB 19 40 024 0410 v. 10.01.11	
		All rights reserved Department EL PD - DE	Created by FINKEV	Inspected by SCHNIEDER	Standardisation TIEMANNA	Date 2014-09-11	State Final Release
HARTING Electric GmbH & Co. KG D-32339 Espelkamp		Title Han 24HPR-gg-KV-M63			Doc-Key / ECM-Nr. 100201933/UGD/004/A 500000078763		
			Type TB	Number 19 40 024 0410		Rev. A	Page 1/1