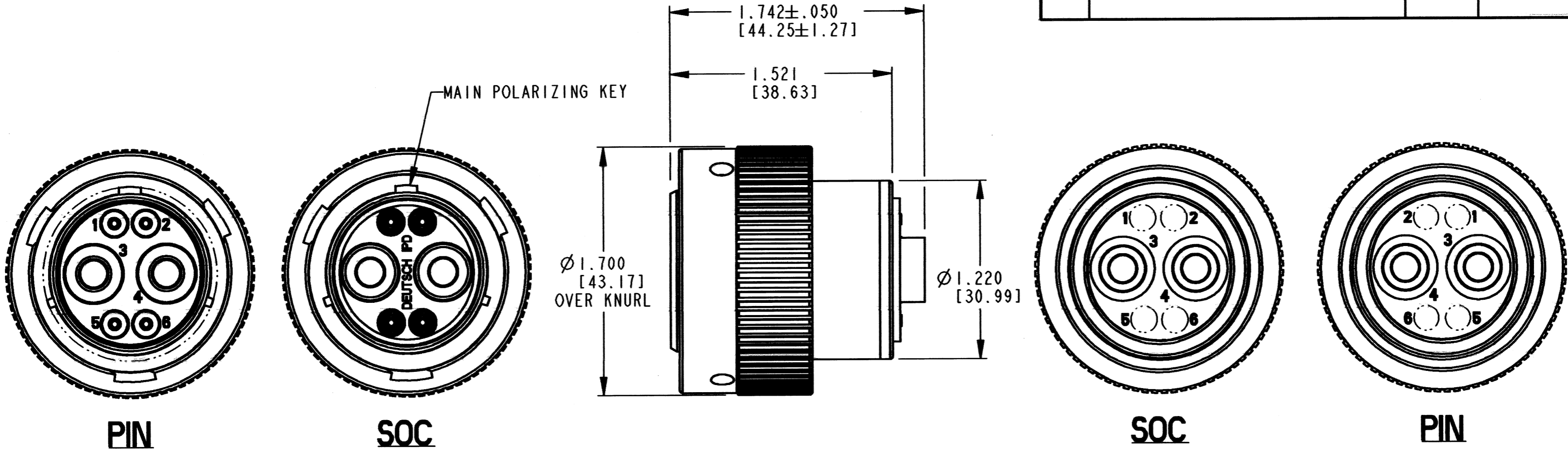


REV
A HDP26-18-6P/S*-C030

REVISIONS			
SYM	DESCRIPTION	DATE	APPROVED
NC	NEW RELEASE PER E.O. PI9153	3/1/06	RDR
A	REVISED PER E.O.P20618	10-26-10	RDR



- 3. DIMENSIONS ARE IN INCHES [MILLIMETERS].
- 2. THIS CONNECTOR WILL ACCOMMODATE THE FOLLOWING WIRE INSULATION DIAMETERS.

SEAL TYPE	CONTACT SIZE	MIN O.D.	MAX O.D.	△ WIRE GAUGE AWG [mm ²] RANGE
N	4	.280 [7.11]	.292 [7.42]	6 [13]
E	4	.261 [6.63]	.292 [7.42]	6 [13]

1. CONSULT FACTORY FOR ELECTRICAL AND MATERIAL SPECIFICATIONS.
NOTES:

- 6. DIMENSION TOLERANCES ARE $\pm .025$ [$\pm .063$] UNLESS OTHERWISE SPECIFIED.
- 5. THIS PART MATES WITH HDP24-18-6P/S*-C030. * = TYPE OF SEAL.
- 4. △ FOR CONTACT AND WIRE PERFORMANCE AND APPLICATION CHARACTERISTICS SEE ENVELOPE DWG. 0425-015-0000 AND 0425-021-0000.

SIGNATURE & DATE		PLUG CONNECTOR 18-6 ARRANGEMENT HDP20 SERIES -C030 MOD	EP	MATL. CODE
DR	R. MESSENGER 8FEB06		3850 INDUSTRIAL AVE. HEMET, CA 92545	
CHK	R. Messey 10/25/10		DEUTSCH INDUSTRIAL	
PE	R. Messey 10/2/10		B HDP26-18-6P/S*-C030	
APPD	S. Beatty 10-11-10		DWG SIZE	CODE 11139
SCALE	NONE	WT	ENVELOPE	