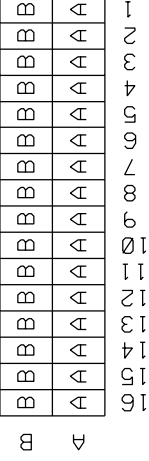


VIEW ON MATING SIDE



A = 16 CONTACTS L=2,8
 B = 16 CONTACTS L=2,8

S = 32 TOTAL NUMBER OF CONTACTS

Marking	Standard
Performance level	G2/0 = Contact area perform. level2 / Termination tin
Flux proof	no
Fixing clip	no
Dimensions	SDA-85050-0002 sht.1
TechnicalData	PS-85052-0001

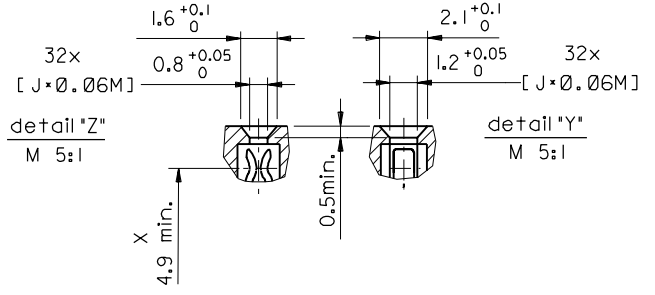
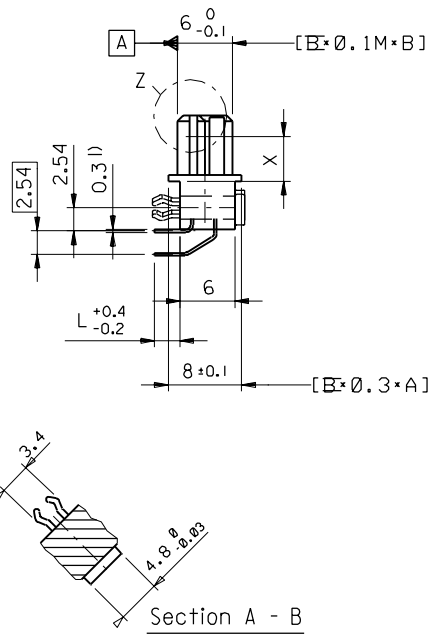
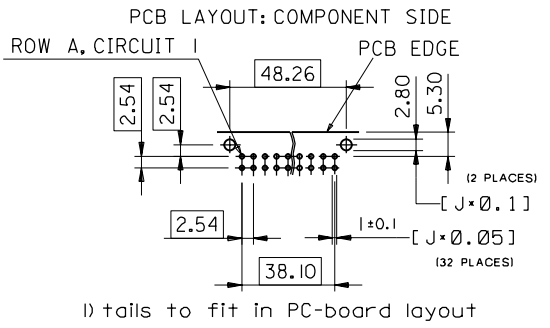
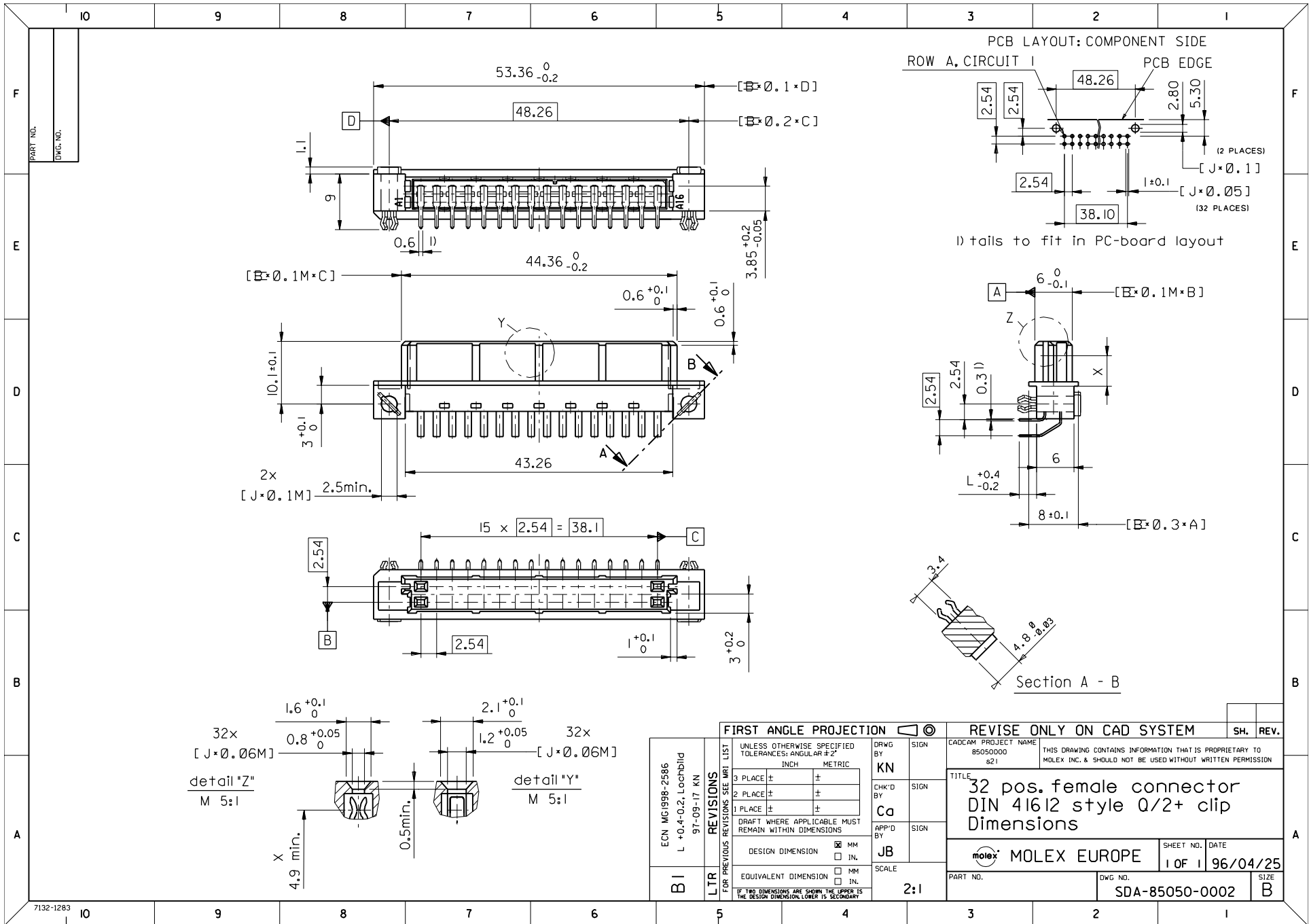
B	G2/0	b1-l6
A	G2/0	a1-l6
Contact symbol	Perform. level	Contact position number

ECN 2264	Produkt spec.	96-10-21 KN
REVISIONS	FOR PREVIOUS REVISIONS SEE MRI LIST	
LTR	A-1	

UNLESS OTHERWISE SPECIFIED TOLERANCES: ANGULAR $\pm 2'$			
3 PLACE	\pm	•	\pm
2 PLACE	\pm	•	\pm
1 PLACE	\pm	•	\pm
DRAFT WHERE APPLICABLE MUST REMAIN WITHIN DIMENSIONS			
DESIGN DIMENSION	<input type="checkbox"/> MM	<input type="checkbox"/> IN.	
EQUIVALENT DIMENSION	<input type="checkbox"/> MM	<input type="checkbox"/> IN.	
IF TWO DIMENSIONS ARE SHOWN, THE UPPER IS THE DESIGN DIMENSION, LOWER IS SECONDARY			

DRWG BY	Cc	SIGN
CHK'D BY	KN	SIGN
APPD BY		SIGN
SCALE		

CAD/CAM PROJECT NAME	SD8505000	SH. REV.
MOLEX INC. & SHOULD NOT BE USED WITHOUT WRITTEN PERMISSION	S01	
TITLE	32 pos. female connector acc. DIN 41612 style A/2 contacts arrangement	SHEET NO. DATE
		1 OF 1 96/06/13
PART NO.	85050-0000	DWG NO.
	SDA-85050-0000	SIZE
		A



FIRST ANGLE PROJECTION		REVISE ONLY ON CAD SYSTEM		SH.	REV.
UNLESS OTHERWISE SPECIFIED TOLERANCES: ANGULAR ±2°		DRWG BY	SIGN	CAD/CAM PROJECT NAME	
INCH METRIC		KN		85050000	
3 PLACE ± ±		CHK'D BY	SIGN	THIS DRAWING CONTAINS INFORMATION THAT IS PROPRIETARY TO MOLEX INC. & SHOULD NOT BE USED WITHOUT WRITTEN PERMISSION	
2 PLACE ± ±		Ca		TITLE	
1 PLACE ± ±		APP'D BY	SIGN	32 pos. female connector DIN 41612 style Q/2+ clip Dimensions	
DRAFT WHERE APPLICABLE MUST REMAIN WITHIN DIMENSIONS		JB		MOLEX EUROPE	
DESIGN DIMENSION <input checked="" type="checkbox"/> MM <input type="checkbox"/> IN.		SCALE		SHEET NO.	DATE
EQUIVALENT DIMENSION <input type="checkbox"/> MM <input type="checkbox"/> IN.		2:1		1 OF 1	96/04/25
IF TWO DIMENSIONS ARE SHOWN THE UPPER IS THE DESIGN DIMENSION, LOWER IS SECONDARY		PART NO.	DWG NO.	SIZE	
			SDA-85050-0002	B	