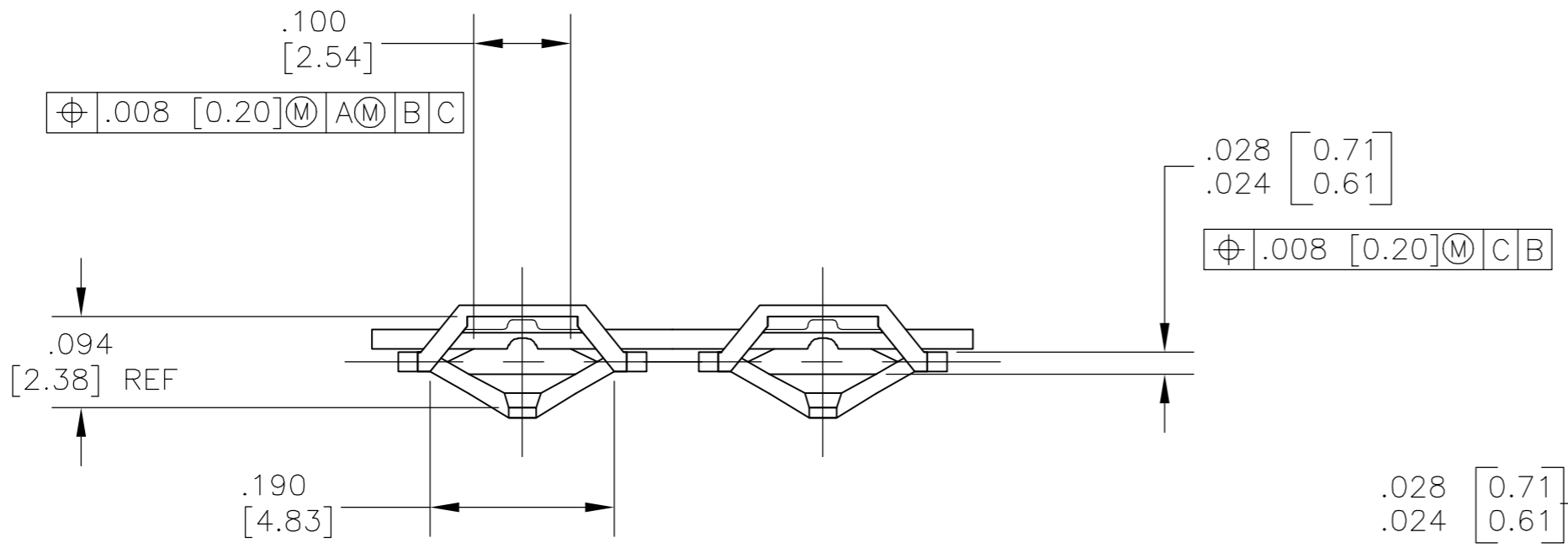
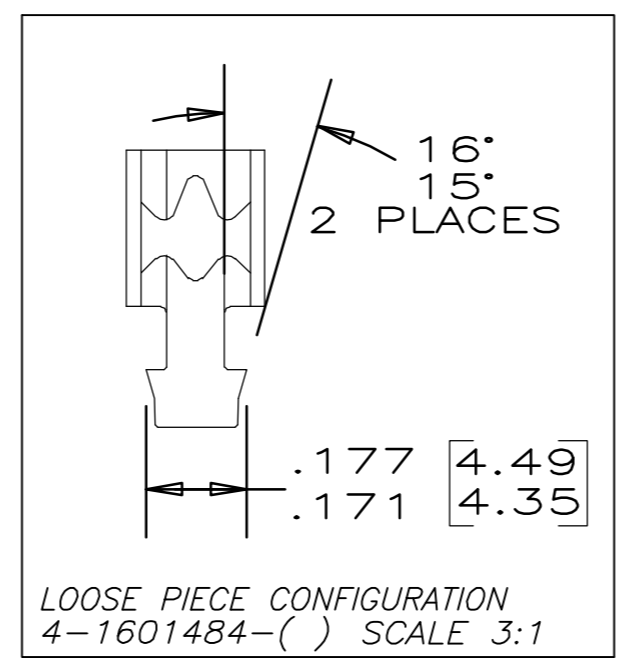
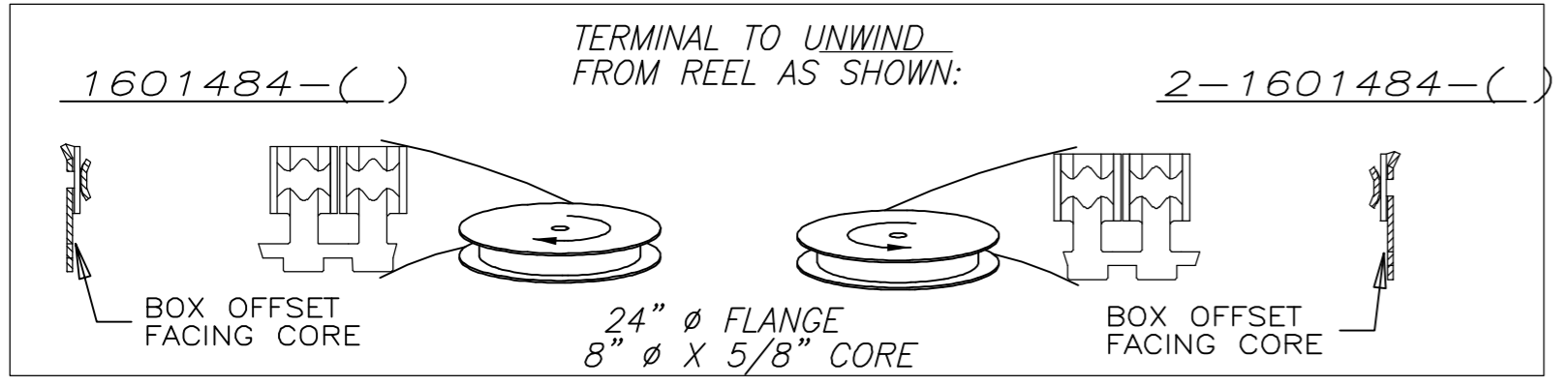
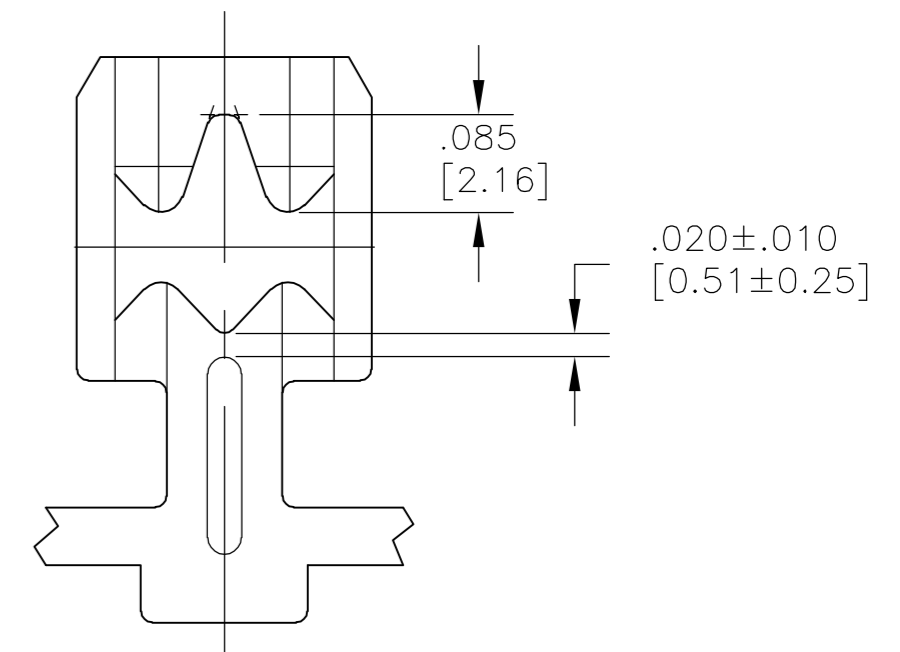
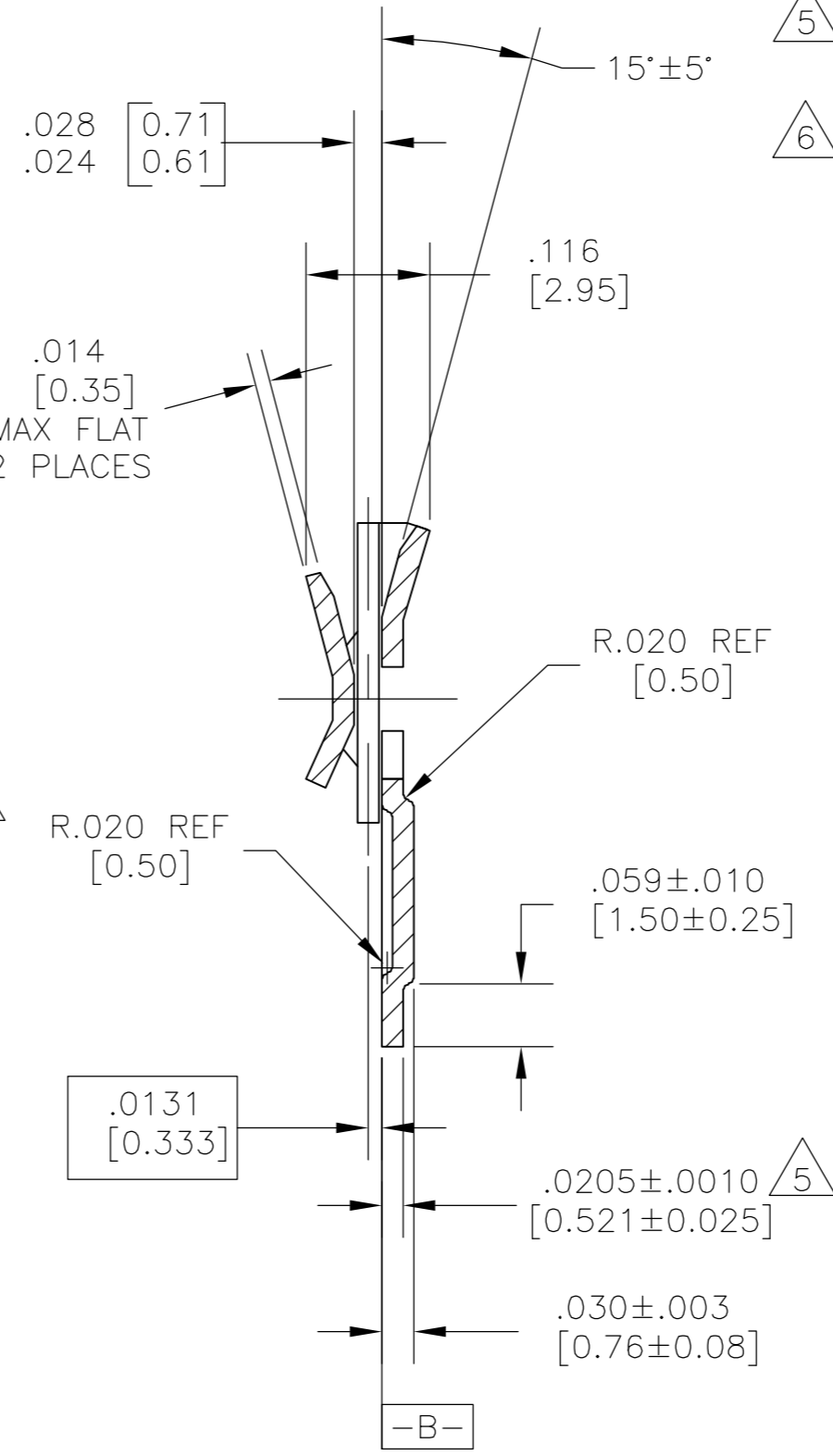
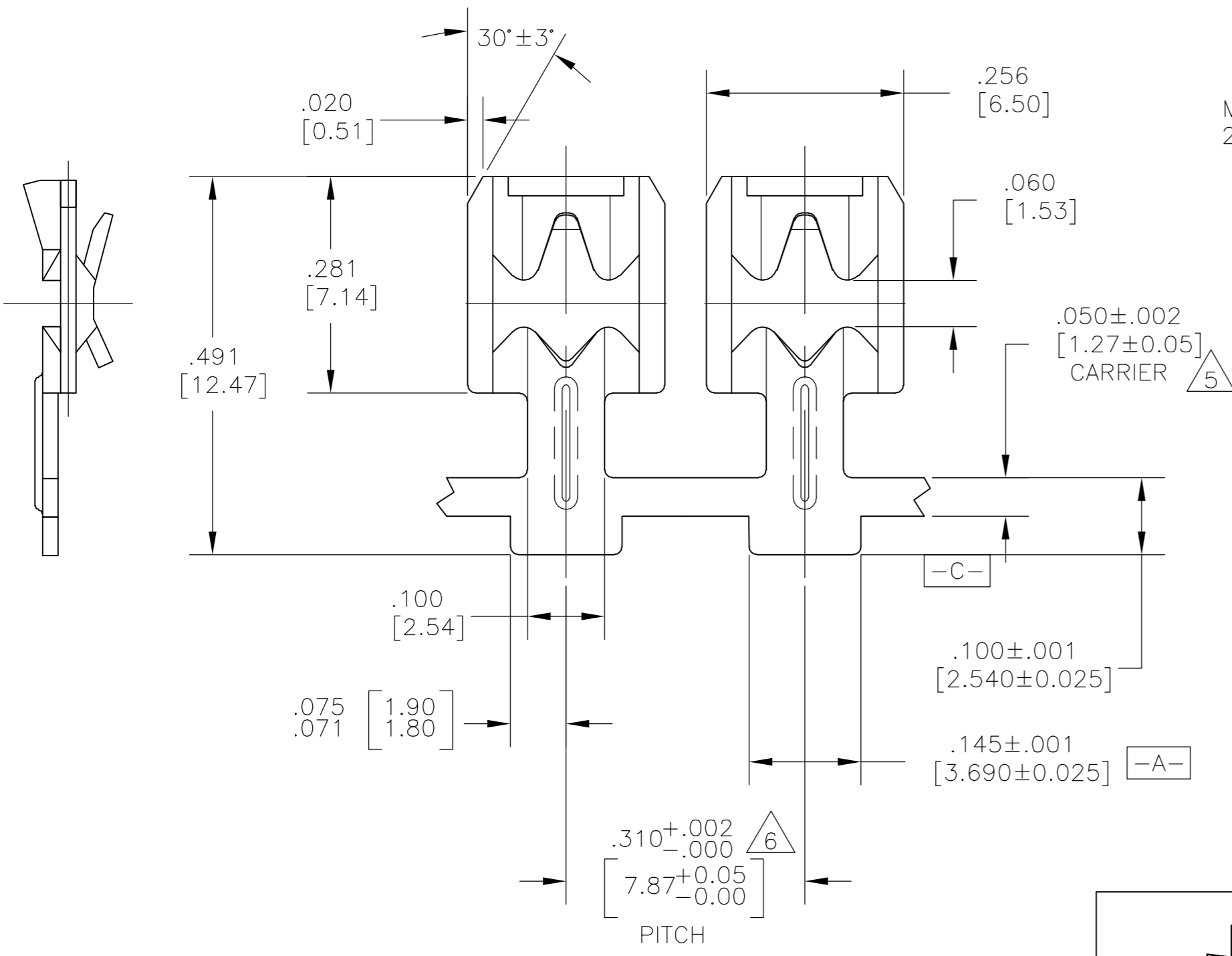


THIS DRAWING IS UNPUBLISHED. RELEASED FOR PUBLICATION
 © COPYRIGHT BY TYCO ELECTRONICS CORPORATION. ALL RIGHTS RESERVED.

LOC		DIST		REVISIONS			
P	LTR	DESCRIPTION	DATE	DWN	APVD		
	B2	REV PER ECR 07-002947	14MAR07	JR	KR		



- SPECIFICATION: TAB BLADE 2mm X 0.8mm OTHER SIZES MAY BE ACCOMMODATED, CONSULT TYCO ELECTRONICS FOR APPROVAL.
- POCKET RECOMMENDATION: 1601441.
- TERMINALS SUPPLIED ON REELS CAN BE SUPPLIED LOOSE PIECE.
- $\triangle 4$.000080-.000150 [0.002032-0.00381] POST-TIN PLATE OVER .000050-.000100 [0.00127-0.00254] NICKEL UNDERPLATE.
- $\triangle 5$ CARRIER STRIP THICKNESS OVER THREE TERMINALS INCLUSIVE NOT TO EXCEED .024 [0.61] MAX.
- $\triangle 6$ NON-ACCUMULATING TOLERANCE. PITCH OVER 10 GAPS TO BE $3.103+.003/-0.000$ [78.816+0.076/-0.000] MEASURED AT CARRIER STRIP.



THIS DRAWING IS A CONTROLLED DOCUMENT.		MATERIAL		REELING		FINISH		PART NUMBER	
DWN 28JUL2005 MICHAEL S. FEHER		H02 C510 PHOSPHOR BRONZE		MASONITE		$\triangle 5$		1601484-1	
CHK 01SEP2005 KURT A. RANDOLPH		SEE TABLE		SEE TABLE		SEE TABLE		SEE TABLE	
APVD 01SEP2005 KURT A. RANDOLPH		SEE TABLE		SEE TABLE		SEE TABLE		SEE TABLE	
TOLERANCES UNLESS OTHERWISE SPECIFIED:		SEE TABLE		SEE TABLE		SEE TABLE		SEE TABLE	
DIMENSIONS: INCHES		SEE TABLE		SEE TABLE		SEE TABLE		SEE TABLE	
0 PLC ± -		SEE TABLE		SEE TABLE		SEE TABLE		SEE TABLE	
1 PLC ± -		SEE TABLE		SEE TABLE		SEE TABLE		SEE TABLE	
2 PLC ± .01[0.25]		SEE TABLE		SEE TABLE		SEE TABLE		SEE TABLE	
3 PLC ± .005[0.13]		SEE TABLE		SEE TABLE		SEE TABLE		SEE TABLE	
4 PLC ± -		SEE TABLE		SEE TABLE		SEE TABLE		SEE TABLE	
ANGLES ± 2°		SEE TABLE		SEE TABLE		SEE TABLE		SEE TABLE	
FINISH		SEE TABLE		SEE TABLE		SEE TABLE		SEE TABLE	
MATERIAL		SEE TABLE		SEE TABLE		SEE TABLE		SEE TABLE	
WEIGHT		-		A2 00779		C=1601484		-	
CUSTOMER DRAWING		SCALE 6:1		SHEET 1 of 1		REV B2		-	