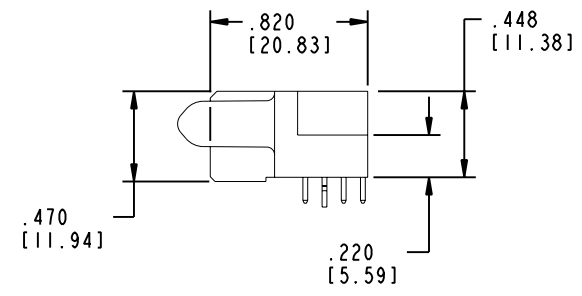
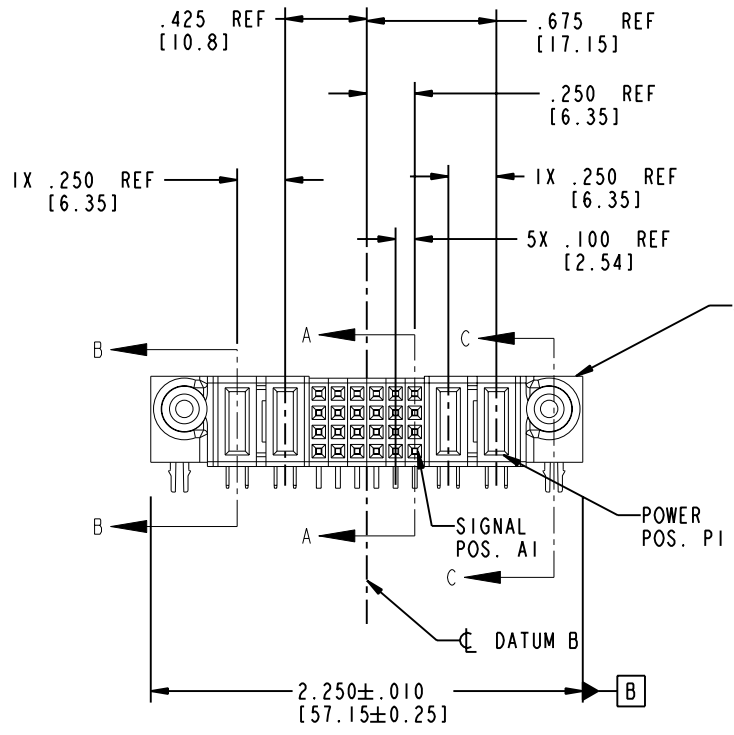
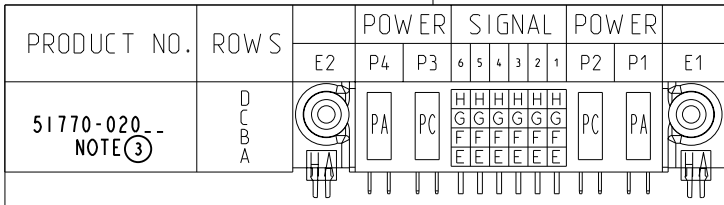


Tous droits strictement réservés. Reproduction ou communication a des tiers interdite sous quelque forme que ce soit sans autorisation écrite du propriétaire. Propriété de c FCI. Droits de reproduction FCI.

All rights strictly reserved. Reproduction or issue to third parties in any form whatever is not permitted without written authority from the proprietor. Property of FCI. Copyright FCI.



CODE	DIM "M" MATING LENGTH	CONTACT TYPE
PC	.092 [2.34]	POWER
PA	.042 [1.07]	POWER
H	N/A [N/A]	SIGNAL
G	N/A [N/A]	SIGNAL
F	N/A [N/A]	SIGNAL
E	N/A [N/A]	SIGNAL
HA	N/A [N/A]	HOLD-DOWN

mat'l code SEE NOTE 2				tolerances unless otherwise specified				CUSTOMER		www.fciconnect.com	
ltr	ecn no.	dr	date	linear	.XX±.01/0.X±0.3			COPY		title	
A	DG05-0096	SW	04/28/05		.XXX±.005/0.XX±0.13			projection		2P + 24S + 2P	
					.XXX±.0020/0.XX±0.051					R/A STB RECEPTACLE	
				angles	0° ± 2°			INCH/MM		product family	
				dr	STEVEN WANG	04/28/05	scale		PwrBlade		code
				engr	STEVEN WANG	04/28/05	1:1		size		213
				chr	VICTOR LIN	04/28/05			dwg no		sheet
				appd	JOSEPH HSIA	04/28/05			A 51770-020		1 of 4
sheet index	revision	A	A	A	A						
	sheet	1	2	3	4						

cage code 22526

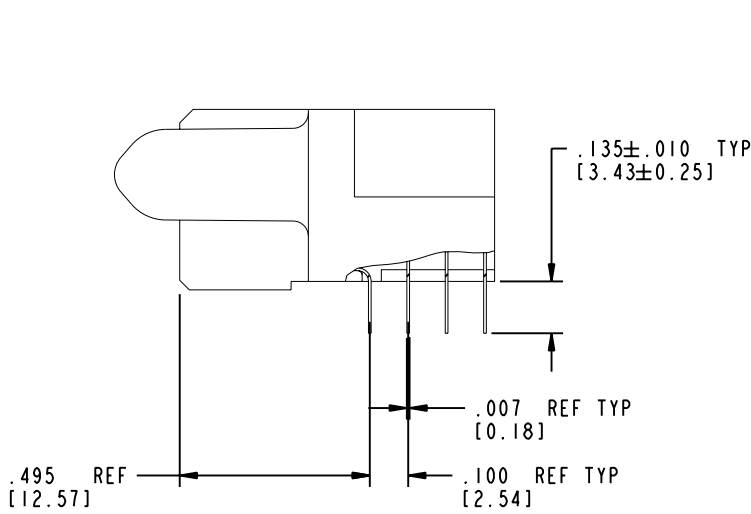
Pro/E

Tous droits strictement réservés. Reproduction ou communication a des tiers interdite sous quelque forme que ce soit sans autorisation écrite du propriétaire. Propriété de c FCI. Droits de reproduction FCI.

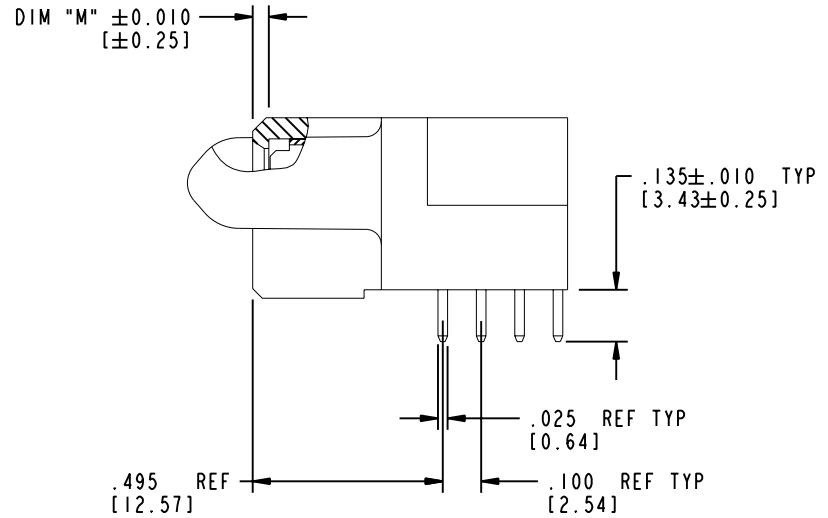
A FCI

All rights strictly reserved. Reproduction or issue to third parties in any form whatever is not permitted without written authority from the proprietor. Property of FCI. Copyright FCI.

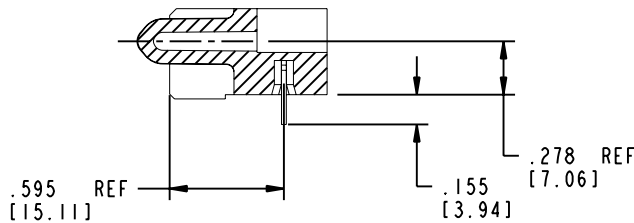
PRODUCT NUMBER
51770-020--
 NOTE ③



BROKEN-OUT SECTION A-A
 SCALE 2:1



BROKEN-OUT SECTION B-B
 SCALE 2:1



SECTION C-C

mat'l code		SEE NOTE 2		tolerances unless otherwise specified		CUSTOMER		 www.fciconnect.com	
ltr	ecn no.	dr	date	linear	.XX±.01/0.X±0.3	COPY		title	
A				linear	.XXX±.005/0.XX±0.13	projection		2P + 24S + 2P	
				angles	.XXX±.0020/0.XX±0.051			R/A STB RECEPTACLE	
				dr	STEVEN WANG 04/28/05	INCH/MM		product family	
				enr	STEVEN WANG 04/28/05			PwrBlade	
				chr	VICTOR LIN 04/28/05	scale		code	
				appd	JOSEPH HSIA 04/28/05	1:1		213	
sheet index		revision sheet						sheet	
								2 of 4	

Pro/E

cage code **22526**

PDM: Rev:A

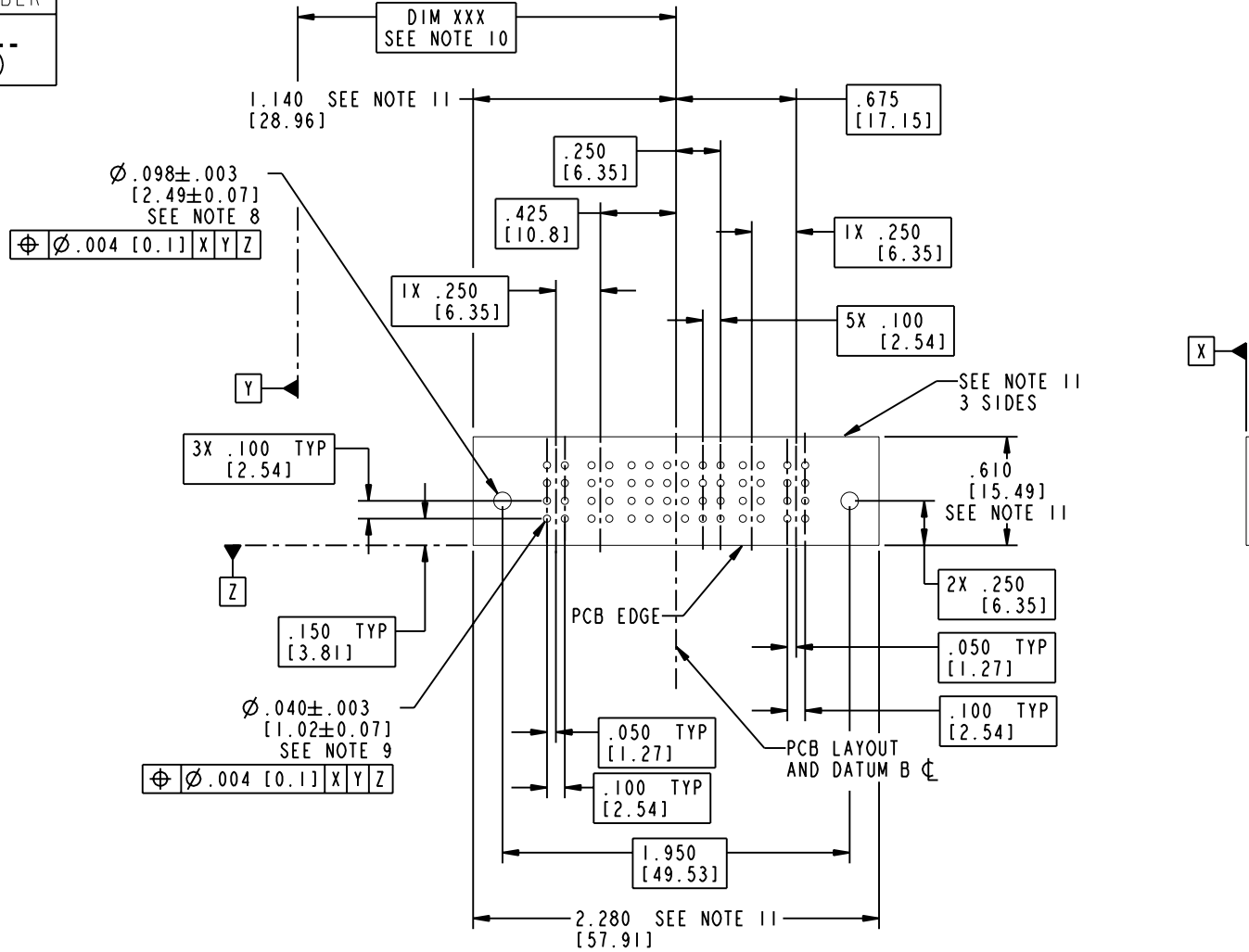
STATUS: Released

Printed: Dec 20, 2010

Tous droits strictement réservés. Reproduction ou communication a des tiers interdite sous quelque forme que ce soit sans autorisation écrite du propriétaire. Propriété de c FCI. Droits de reproduction FCI.

All rights strictly reserved. Reproduction or issue to third parties in any form whatever is not permitted without written authority from the proprietor. Property of FCI. Copyright FCI.

PRODUCT NUMBER
51770-020--
 NOTE ③



mat'l code		SEE NOTE 2		tolerances unless otherwise specified		CUSTOMER		 www.fciconnect.com	
ltr	ecn no.	dr	date	linear	.XX±.01/0.X±0.3	COPY		title	
A				projection	.XXX±.005/0.XX±0.13			2P + 24S + 2P R/A STB RECEPTACLE	
				angles	.XXX±.0020/0.XXX±0.051	INCH/MM		product family	
				dr	0° ± 2°	scale		PwrBlade	
				enr	STEVEN WANG 04/28/05	1:1		code	
				chr	STEVEN WANG 04/28/05			213	
				appd	VICTOR LIN 04/28/05			sheet	
					JOSEPH HSIA 04/28/05			3 of 4	
sheet index	revision sheet							cage code 22526	

Pro/E

cage code **22526**

PDM: Rev:A

STATUS: Released

Printed: Dec 20, 2010

Tous droits strictement réservés. Reproduction ou communication a des tiers interdite sous quelque forme que ce soit sans autorisation écrite du propriétaire. Propriété de c FCI. Droits de reproduction FCI.

A FCI

All rights strictly reserved. Reproduction or issue to third parties in any form, whenever is not permitted without written authority from the proprietor. Property of FCI. Copyright FCI.

B

PRODUCT NUMBER

51770-020--
NOTE ③

NOTES:

1. DIMENSIONS AND TOLERANCES ARE IN ACCORDANCE WITH ASME Y14.5M, 1994 UNLESS OTHERWISE SPECIFIED.

CONNECTOR NOTES:

②. HOUSING MATERIAL: UL 94 V-0 GLASS FILLED

HIGH-TEMP THERMOPLASTIC
POWER CONTACT MATERIAL: COPPER ALLOY
SIGNAL PIN MATERIAL: COPPER ALLOY

3. PLATING:

51770-020 Singal Pin: 30u"/0.76um Au OVER 50u"/1.27um Ni ON CONTACT AREA.
AND 100u"/2.54um SnPb PLATING OVER 50u"/1.27um Ni ON THE TERMINATION SECTION.
Power Pin: 30u"/0.76um Au OVER 50u"/1.27um Ni ON THE CONTACT AREA,
AND 100u"/2.54um SnPb PLATING OVER 50u"/1.27um Ni ON THE TERMINATION SECTION.

51770-020LF Singal Pin: 30u"/0.76um Au OVER 50u"/1.27um Ni ON CONTACT AREA.
AND 78u"/2.00um Sn PLATING OVER 50u"/1.27um Ni ON THE TERMINATION SECTION.
Power Pin: 30u"/0.76um Au OVER 50u"/1.27um Ni ON THE CONTACT AREA,
AND 78u"/2.00um Sn PLATING OVER 50u"/1.27um Ni ON THE TERMINATION SECTION.

PART NUMBER 51770-020LF MEETS EUROPEAN UNION DIRECTIVE AND OTHER COUNTRY REGULATIONS AS DESCRIBED IN GS-22-008.

THE HOUSING WILL WITHSTAND EXPOSURE TO 260° PEAK TEMPERATURE FOR 10 SECONDS IN A WAVE SOLDER APPLICATION WITH A CIRCUIT BOARD.

④. MANUFACTURER'S NAME, P/N, AND DATE CODE TO APPEAR ON THIS SURFACE.

5. PRODUCT SPECIFICATION GS-12-149.
APPLICATION SPECIFICATION BUS-20-067.

6. PACKAGED IN TRAYS.

PCB NOTES:


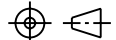
7. ALL HOLE DIAMETERS ARE FINISHED HOLE SIZE.

⑧. MOUNTING HOLES, WHERE APPLICABLE, ARE UNPLATED.

⑨. $\varnothing .0453 \pm .0010$ [1.151 ± 0.025] DRILLED HOLES PLATED WITH .0003 [0.008] MIN SnPb OVER .001 [0.03] TO .003 [0.08] Cu PLATING TO ACHIEVE $\varnothing .040 \pm .003$ [1.02 ± .07] HOLE.

⑩. "DIM XXX" TO BE DETERMINED BY THE CUSTOMER.

⑪. CONNECTOR KEEP-OUT ZONE.

mat'l code		SEE NOTE 2		tolerances unless otherwise specified		CUSTOMER		 www.fciconnect.com	
ltr	ecn no.	dr	date	linear	.XX±.01/0.X±0.3		COPY		title 2P + 24S + 2P R/A STB RECEPTACLE
A					.XXX±.005/0.XX±0.13		projection		
				angles	.XXX±.0020/0.XXX±0.051				product family PwrBlade code 213
				dr	STEVEN WANG	04/28/05	INCH/MM		
				enr	STEVEN WANG	04/28/05	scale 1:1		
				chr	VICTOR LIN	04/28/05			
				appd	JOSEPH HSIA	04/28/05			
sheet index	revision sheet								

Pro/E

cage code **22526**

PDM: Rev:A

STATUS: **Released**

Printed: Dec 20, 2010