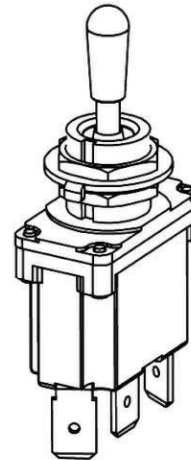
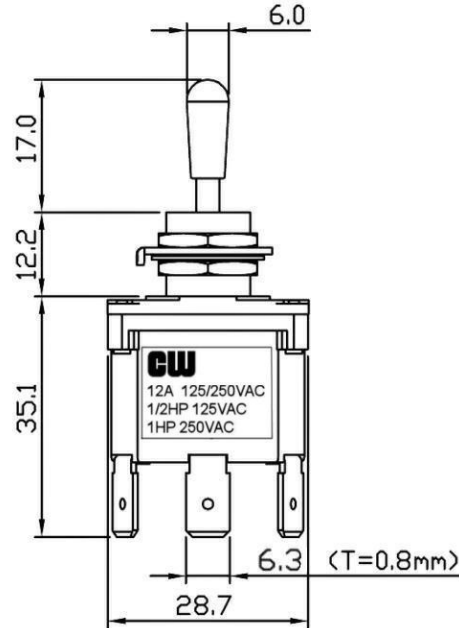
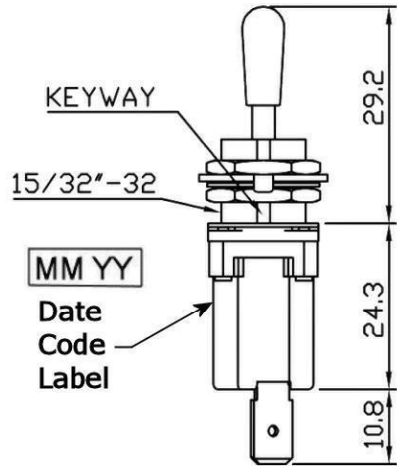
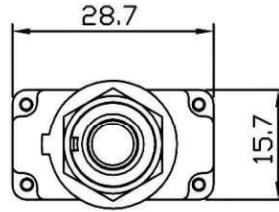
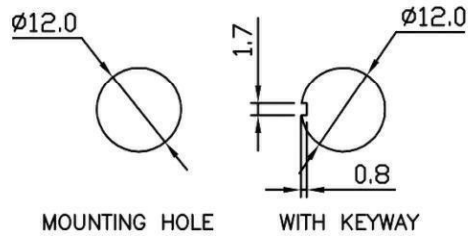


SPECIFICATION:

Contact resistance: 20m ohm max. (initial)
Insulation resistance: 100M ohm min. (at 500V DC)
Dielectric strength: 1,500V AC 50/60 Hz for 1 minute
Service life: Mechanically: 100,000 operations min.
Electrically: 30,000 operations min.
Rating: 12A 125V AC / 250V AC
1/2 HP 125VAC / 1HP 250VAC / 5A 125VAC "L"
Function: ON - OFF - ON SPDT
Actuator: Brass with Dull Nickle Plated
Waterproof rating: IP68



RoHS Compliant

CW INDUSTRIES
 Southampton, Pa. 18966
 Tel 215.355.7080/www.cwind.com

Date Drawn: 3-23-12

Rev. 0

Unit: mm

Checked By: *G. Gold*

Title:
TOGGLE SWITCH

CW P/N:
GTB1B11