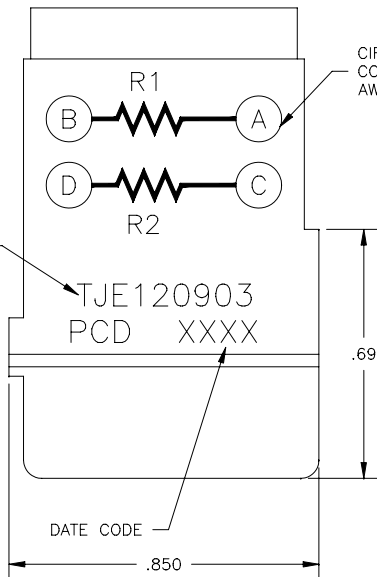
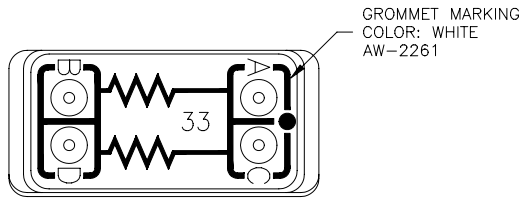
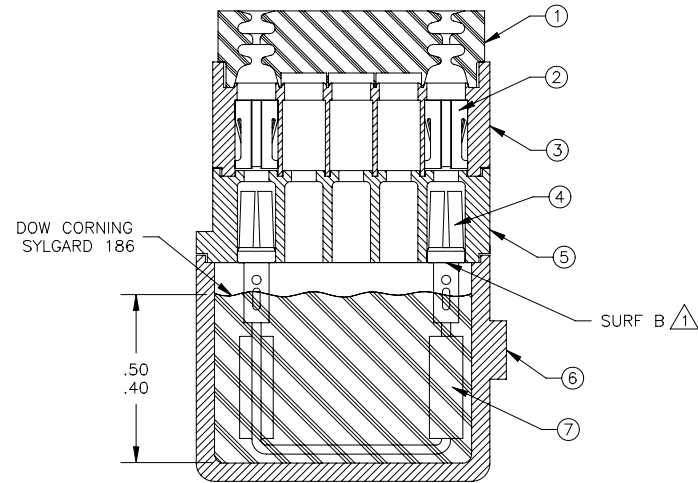
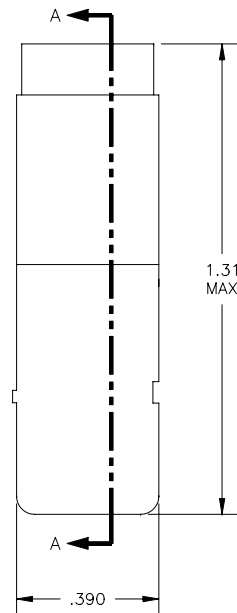


TJE120903

REV	ECN	DESCRIPTION	APP'D
-	3768	RELEASE	



CIRCUIT DIAGRAM
COLOR: WHITE
AW-2262



SECTION A-A
ITEMS 2, 4 & 7 NOT SECTIONED

NOTES:
 ITEM #4 CONTACTS SHALL BE SEATED WITHIN .020 MAX BELOW AND .010 MAX ABOVE SURF B OF ITEM #5 BUS HOUSING.

TJE120903

TJE120903

ITEM	PART NO.	DESCRIPTION	QTY
1	270100340	GROMMET, SZ 20/22, 4 POS	1
2	310000101	RETAINER CLIP SIZE 20	4
3	220320000	HOUSING, CLIP, SZ 16/20	1
4	210210003	CONTACT, SOCKET, SZ 16/20 PLATED	4
5	220420000	HOUSING, BUS, SZ 16/20	1
6	220620000	HOUSING, COMPONENT, ELECTRONIC	1
7	320003351	RESISTOR, RLR07C0330GM, 33, 1/4W	2

DIMENSIONS ANSI Y14.5M UNITS: INCHES ACAD FILE	TOLERANCES .XX ±.01 .XXX ±.005 ANGLES ±2°	PROJECTION
ORIGINAL NOT FOR CUSTOMER DISTRIBUTION	THIS DOCUMENT CONTAINS PROPRIETARY INFORMATION WHICH IS THE CONFIDENTIAL PROPERTY OF PCD, INC. PEABODY, MA, USA	

REFERENCE SPECIFICATION
ENGR A. PATRIE 6/4/99
CHKD
APPD

TITLE ELECTRONIC MODULE ASSEMBLY RESISTOR		REV -
SIZE B	DWG NO. TJE120903	REV -
CODE: 58982	SCALE: 3X	SHEET 1 OF 1