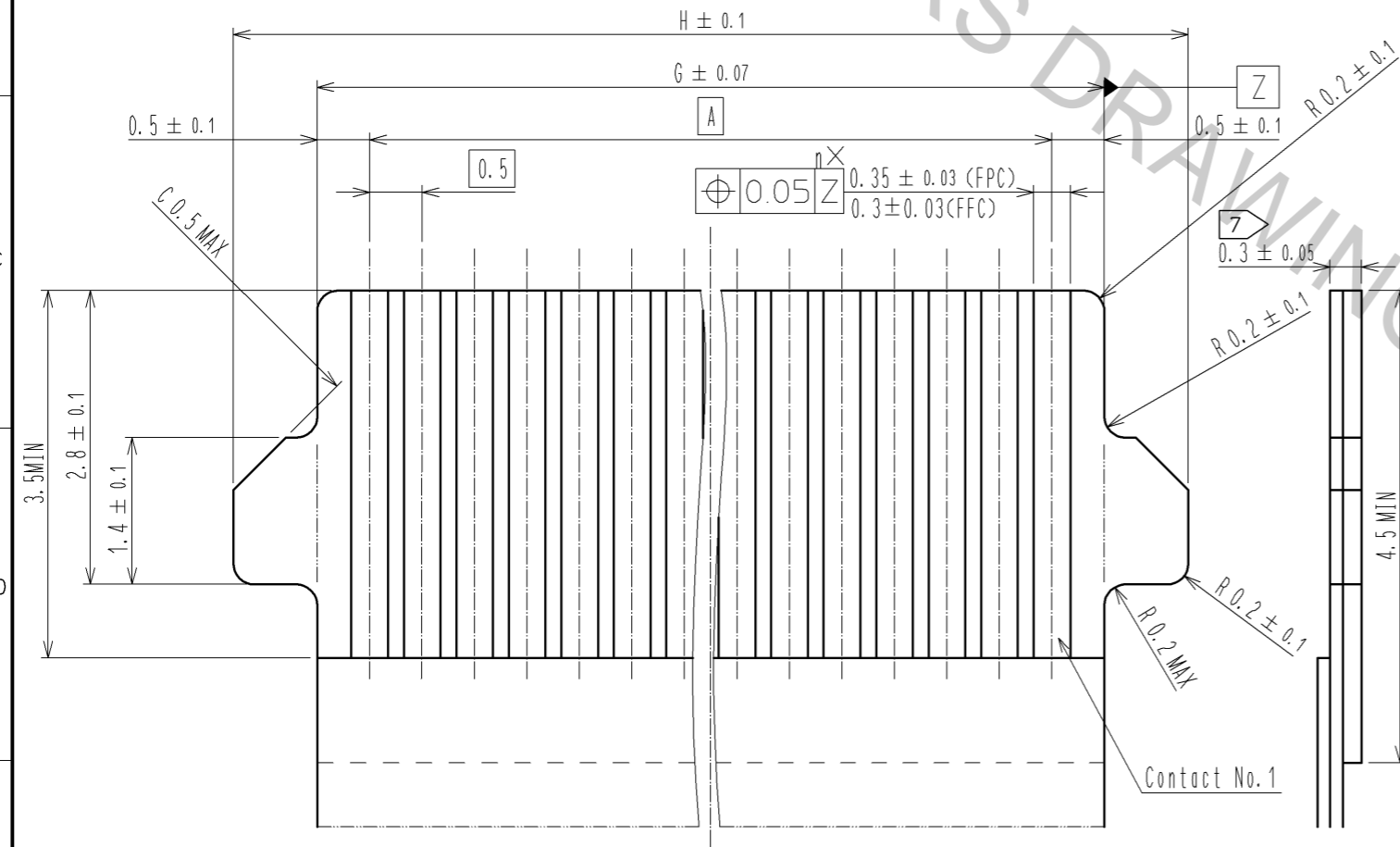


- NOTES
- 1 Lead CO-PLANARITY including reinforced metal fittings shall be 0.1 MAX.
 - 2 Dimension: from reference b.
 - 3 Indicates notches or holes to prevent sink marks. The design and the location are discretionary, depending on the number of contacts.
 - 4 This product satisfies halogen free requirements defined as 900ppm maximum chlorine, 900ppm maximum bromine, and 1500ppm maximum total of chlorine and bromine.
 - 5 'n' represents the number of contacts.
 - 6 Indicates notches for attachment dust cover.
 FH28 series : without notches.
 FH28D series : with notches.
 There is no difference in performance between FH28 series and FH28D series.

5	BRASS	TIN PLATING 1#mMIN OVER NICKEL 1#mMIN			
4	BRASS	TIN PLATING 1#mMIN OVER NICKEL 1#mMIN			
3	PHOSPHOR BRONZE	(CONTACT AREA-LEAD)GOLD PLATING 0.05#mMIN OVER NICKEL 1#mMIN. (OTHER)NICKEL PLATING 1#mMIN.	9	(CONNECTOR)	
2	LCP	(BLACK)	7	POLYESTER	
1	LCP	(GRAY)	6	POLYSTYRENE	
NO.	MATERIAL	FINISH . REMARKS	NO.	MATERIAL	FINISH . REMARKS

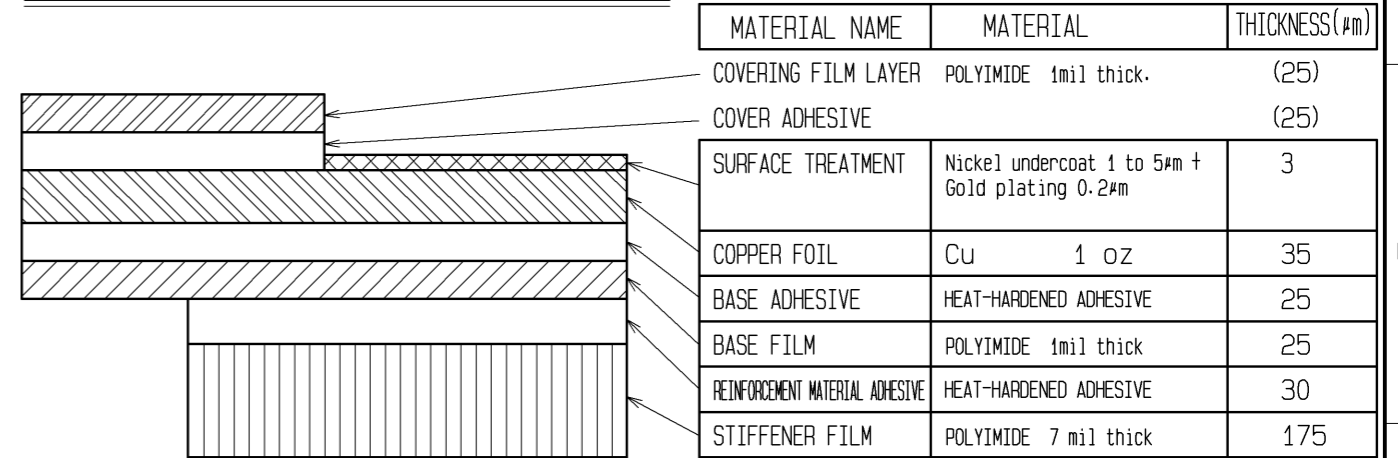
UNITS	mm	SCALE	5 : 1	COUNT	△	DESCRIPTION OF REVISIONS	DESIGNED	CHECKED	DATE
APPROVED : MO. ISHIDA		13.10.16		DRAWING NO.		EDC3-353836-02			
CHECKED : HS. SAKAMOTO		13.10.16		PART NO.		FH28-*S-0.5SH<10>			
DESIGNED : RT. IKEDA		13.10.11		CODE NO.		FH28D-*S-0.5SH<10>			
DRAWN : NM. SANPEI		13.10.10		CL586					

RECOMMENDED FPC/FFC (15:1)

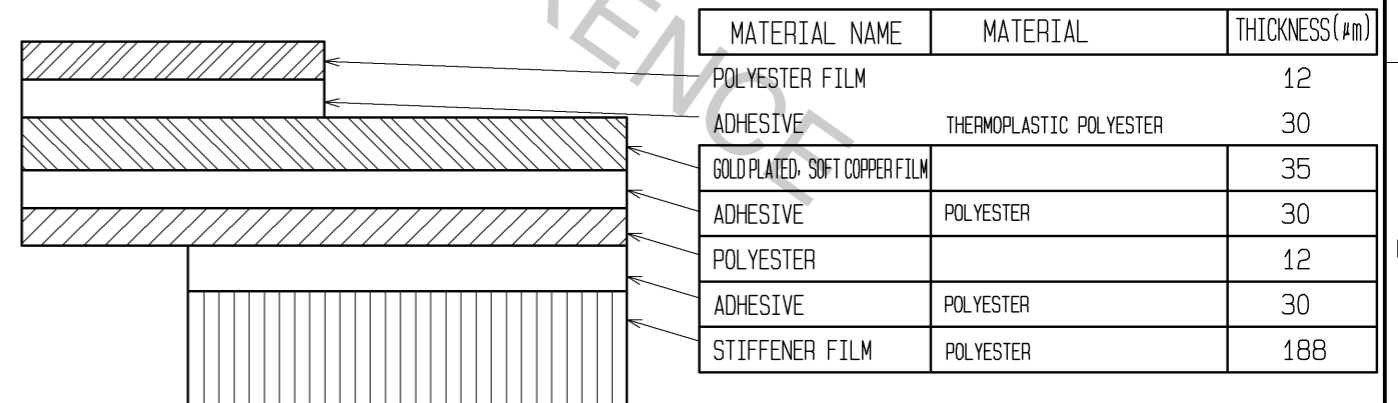


7 Thickness of supporting tape shall be 0.188(7.5mil) MIN.

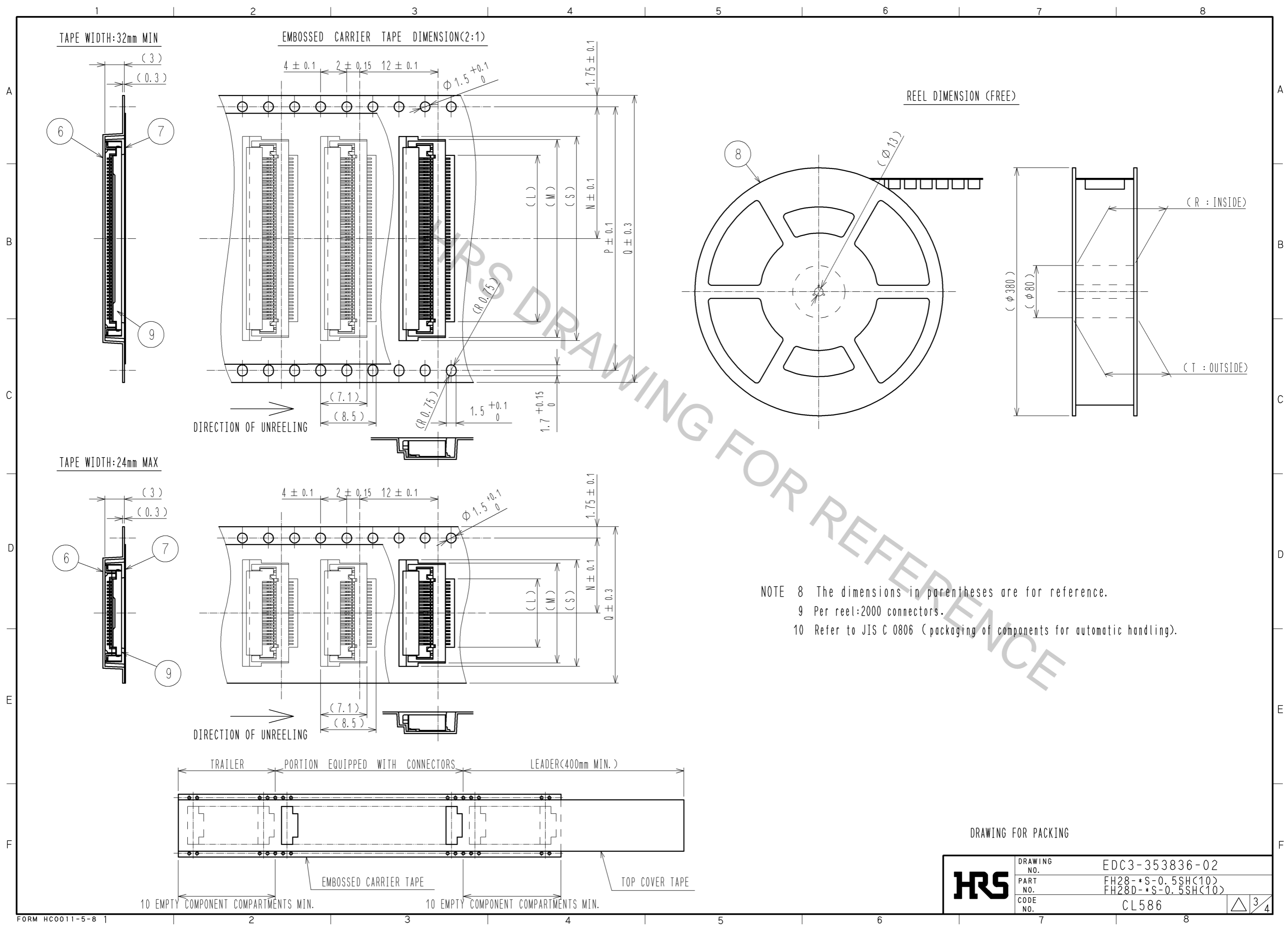
FPC CONFIGURATION (REFERENCE EXAMPLE) (SCALE:FREE)



FFC CONFIGURATION (REFERENCE EXAMPLE) (SCALE:FREE)



HRS	DRAWING NO.	EDC3-353836-02
	PART NO.	FH28-*S-0.5SH(10) FH28D-*S-0.5SH(10)
	CODE NO.	CL586
		△ 2/4



DRAWING FOR PACKING

HRS	DRAWING NO.	EDC3-353836-02
	PART NO.	FH28-*S-0.5SH<10> FH28D-*S-0.5SH<10>
	CODE NO.	CL586
		3/4

PART NO.	CODE NO.	Number of contact	DIMENSION TABLE OF CONNECTOR, FPC, FFC, LAND PATTERN AND STENCIL PATTERN										DIMENSION TABLE OF DRAWING FOR PACKING							
			A	B	C	D	E	F	G	H	J	K	L	M	N	P	Q	R	T	S
FH28 -10S-0.5SH(10)	CL586-1861-4-10	10	4.5	9.9	5.57	6.15	7.35	9.58	5.5	7.1	10.6	7	5.5	10.3	11.5	-	24	25.4	29.4	11.3
FH28 -15S-0.5SH(10)	CL586-1868-3-10	15	7	12.4	8.07	8.65	9.85	12.08	8	9.6	13.1	9.5	8	12.8	11.5	-	24	25.4	29.4	13.8
FH28D-20S-0.5SH(10)	CL586-1823-5-10	20	9.5	14.9	10.57	11.15	12.35	14.58	10.5	12.1	15.6	12	10.5	15.3	11.5	-	24	25.4	29.4	16.3
FH28D-28S-0.5SH(10)	CL586-1835-4-10	28	13.5	18.9	14.57	15.15	16.35	18.58	14.5	16.1	19.6	16	14.5	19.3	14.2	28.4	32	33.4	37.4	20.3
FH28D-30S-0.5SH(10)	CL586-1827-6-10	30	14.5	19.9	15.57	16.15	17.35	19.58	15.5	17.1	20.6	17	15.5	20.3	14.2	28.4	32	33.4	37.4	21.3
FH28 -40S-0.5SH(10)	CL586-1803-8-10	40	19.5	24.9	20.57	21.15	22.35	24.58	20.5	22.1	25.6	22	20.5	25.3	20.2	40.4	44	45.4	49.4	-
FH28 -45S-0.5SH(10)	CL586-1848-6-10	45	22	27.4	23.07	23.65	24.85	27.08	23	24.6	28.1	24.5	23	27.8	20.2	40.4	44	45.4	49.4	28.8
FH28 -50S-0.5SH(10)	CL586-1801-2-10	50	24.5	29.9	25.57	26.15	27.35	29.58	25.5	27.1	30.6	27	25.5	30.3	20.2	40.4	44	45.4	49.4	-
FH28 -55S-0.5SH(10)	CL586-1800-0-10	55	27	32.4	28.07	28.65	29.85	32.08	28	29.6	33.1	29.5	28	32.8	20.2	40.4	44	45.4	49.4	-
FH28 -60S-0.5SH(10)	CL586-1811-6-10	60	29.5	34.9	30.57	31.15	32.35	34.58	30.5	32.1	35.6	32	30.5	35.3	26.2	52.4	56	57.4	61.4	-
FH28D-64S-0.5SH(10)	CL586-1813-1-10	64	31.5	36.9	32.57	33.15	34.35	36.58	32.5	34.1	37.6	34	32.5	37.3	26.2	52.4	56	57.4	61.4	-
FH28D-68S-0.5SH(10)	CL586-1819-8-10	68	33.5	38.9	34.57	35.15	36.35	38.58	34.5	36.1	39.6	36	34.5	39.3	26.2	52.4	56	57.4	61.4	-
FH28D-74S-0.5SH(10)	CL586-1828-9-10	74	36.5	41.9	37.57	38.15	39.35	41.58	37.5	39.1	42.6	39	37.5	42.3	26.2	52.4	56	57.4	61.4	43.3

HRS	DRAWING NO.	EDC3-353836-02
	PART NO.	FH28-*S-0.5SH(10) FH28D-*S-0.5SH(10)
	CODE NO.	CL586
		4/4