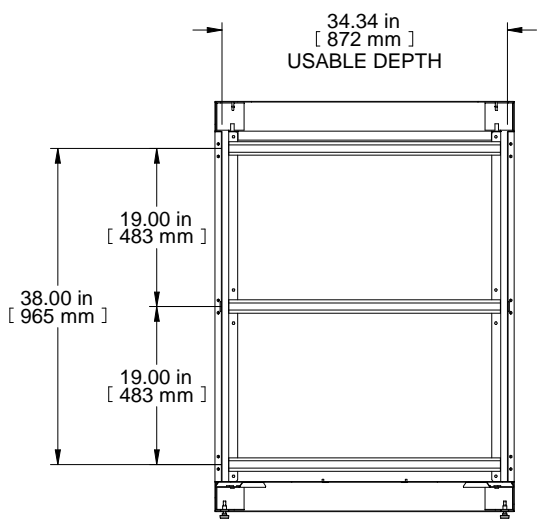
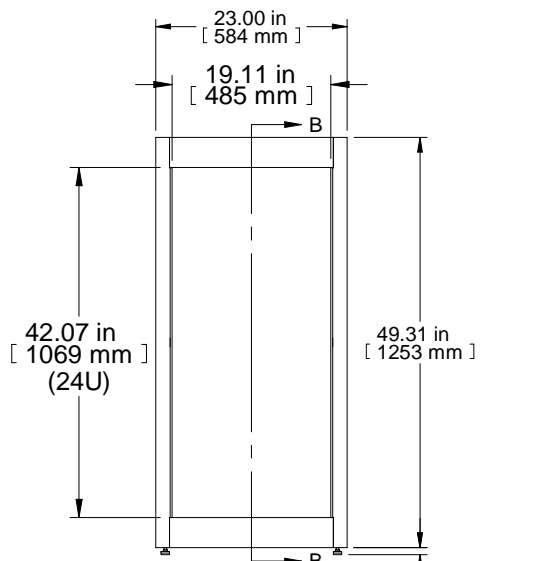


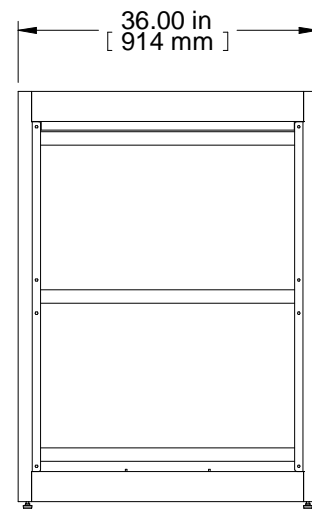
TOP VIEW
TOP OPENING



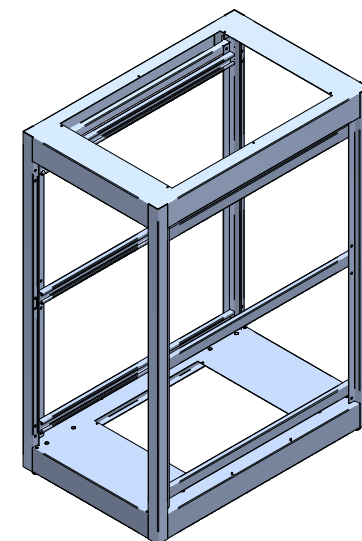
SECTION B-B



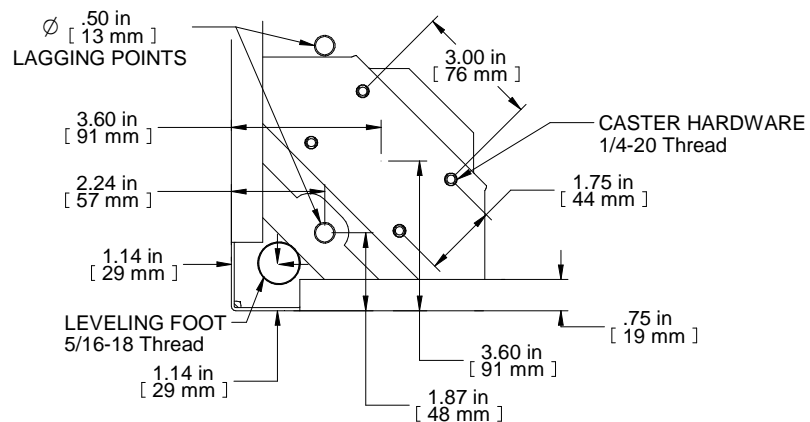
FRONT VIEW



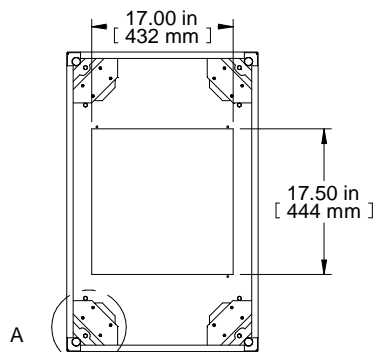
R.S. VIEW



ISOMETRIC



DETAIL A 4X
SCALE 5:1



BOTTOM VIEW
BOTTOM OPENING

| PART NUMBER. | |
|--|---|
| C2F194236 BK1 | PAINTED BLACK TEXTURE |
| C2F194236 LG1 | PAINTED LIGHT GRAY TEXTURE |
| NOTES | |
| - Material 14 GA. Steel Welded Assembly | |
| - See Hammond Website for Frame Accessories. | |
| Français | |
| Pour tous les détails sur nos produits, svp veuillez consulter notre site www.hammondmfg.com | |
| Data subject to change without notice. Isometric drawing not to scale. Les données sont sujettes à changement sans préavis. | |
|  | HAMMOND MANUFACTURING. www.hammondmfg.com |
| PART NO. C2F194236 | |